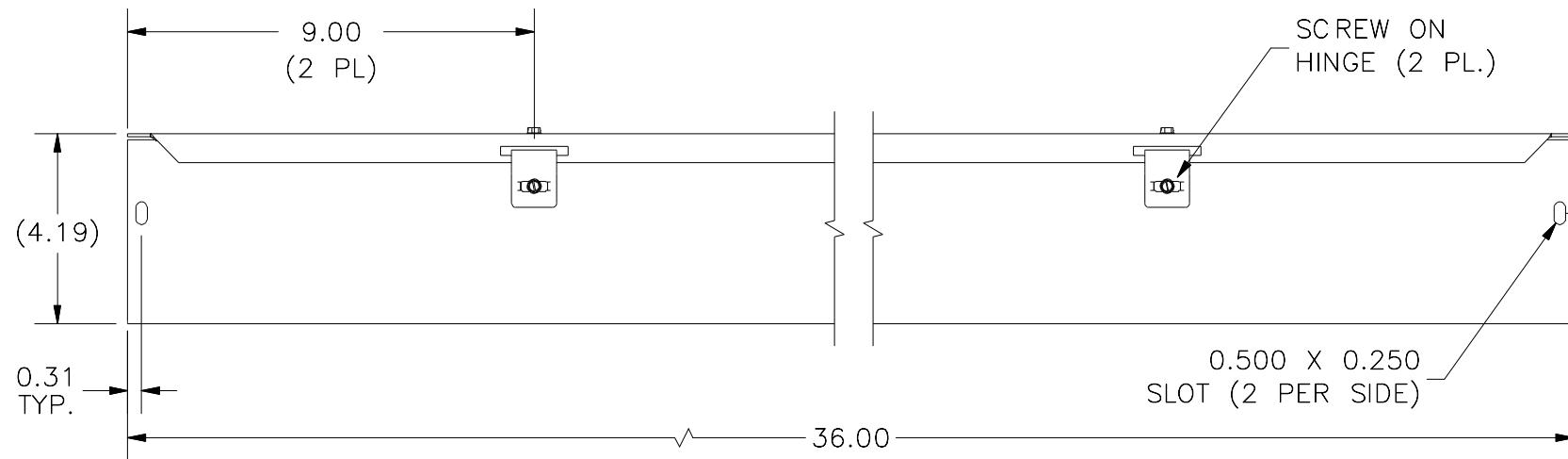
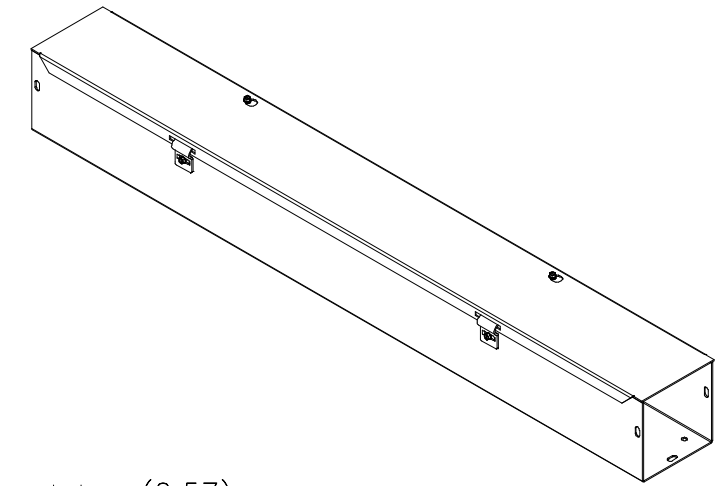


4.38  
LID  
WIDTH

TOP VIEW

#10-32 X 3/8" SCREW,  
SELF-TAPPING (2 PL.)



SCREW ON  
HINGE (2 PL.)

(4.19)

9.00  
(2 PL.)

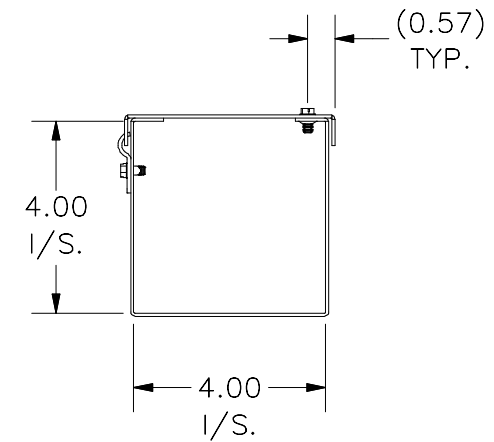
0.31  
TYP.

36.00

0.500 X 0.250  
SLOT (2 PER SIDE)

2.44  
TYP.

FRONT VIEW

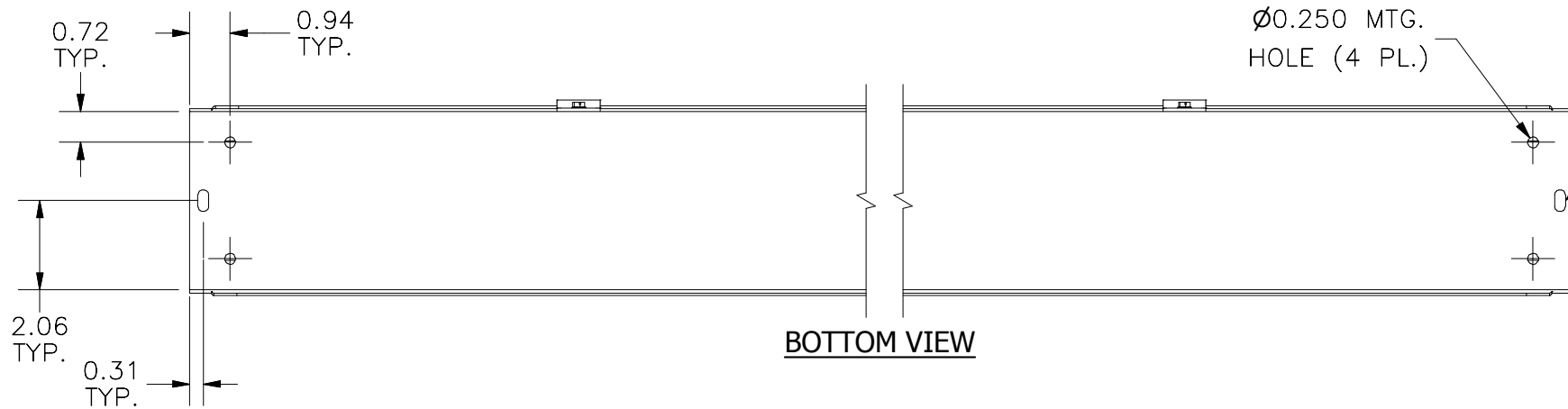


(0.57)  
TYP.

4.00  
I/S.

4.00  
I/S.

RIGHT VIEW



Ø0.250 MTG.  
HOLE (4 PL.)

0.72  
TYP.

0.94  
TYP.

2.06  
TYP.

0.31  
TYP.

0.500 X 0.250  
SLOT (2 PL.)

BOTTOM VIEW

PART#: HS443NK  
(DATA SUBJECT TO CHANGE WITHOUT NOTICE)

THIS DRAWING IS PROPERTY OF HUBBELL INC. WIEGMANN  
ALL INFORMATION IS PROPRIETARY AND NOT TO BE DUPLICATED