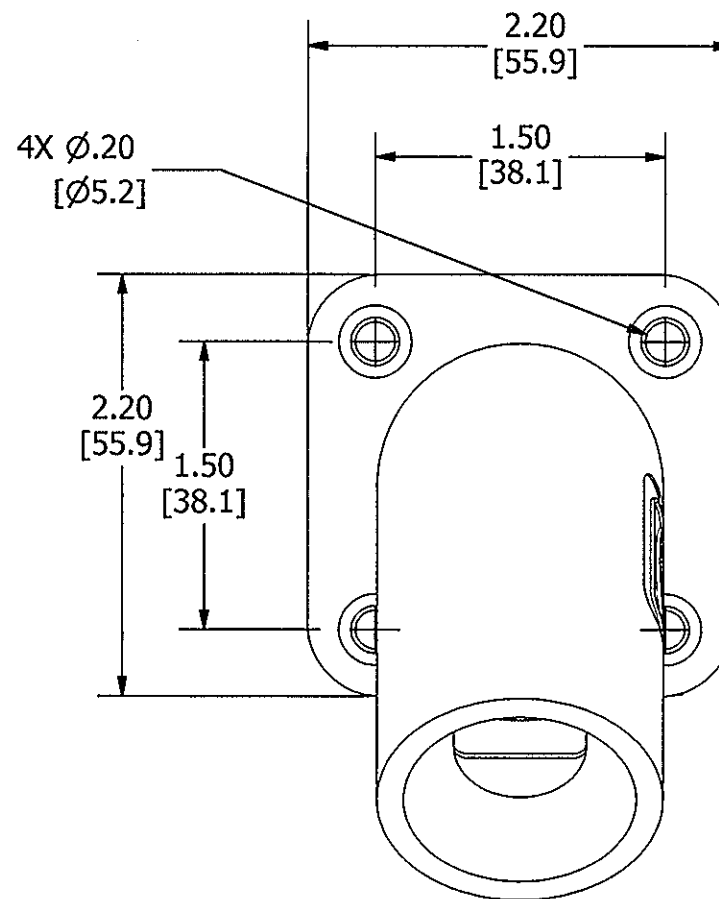
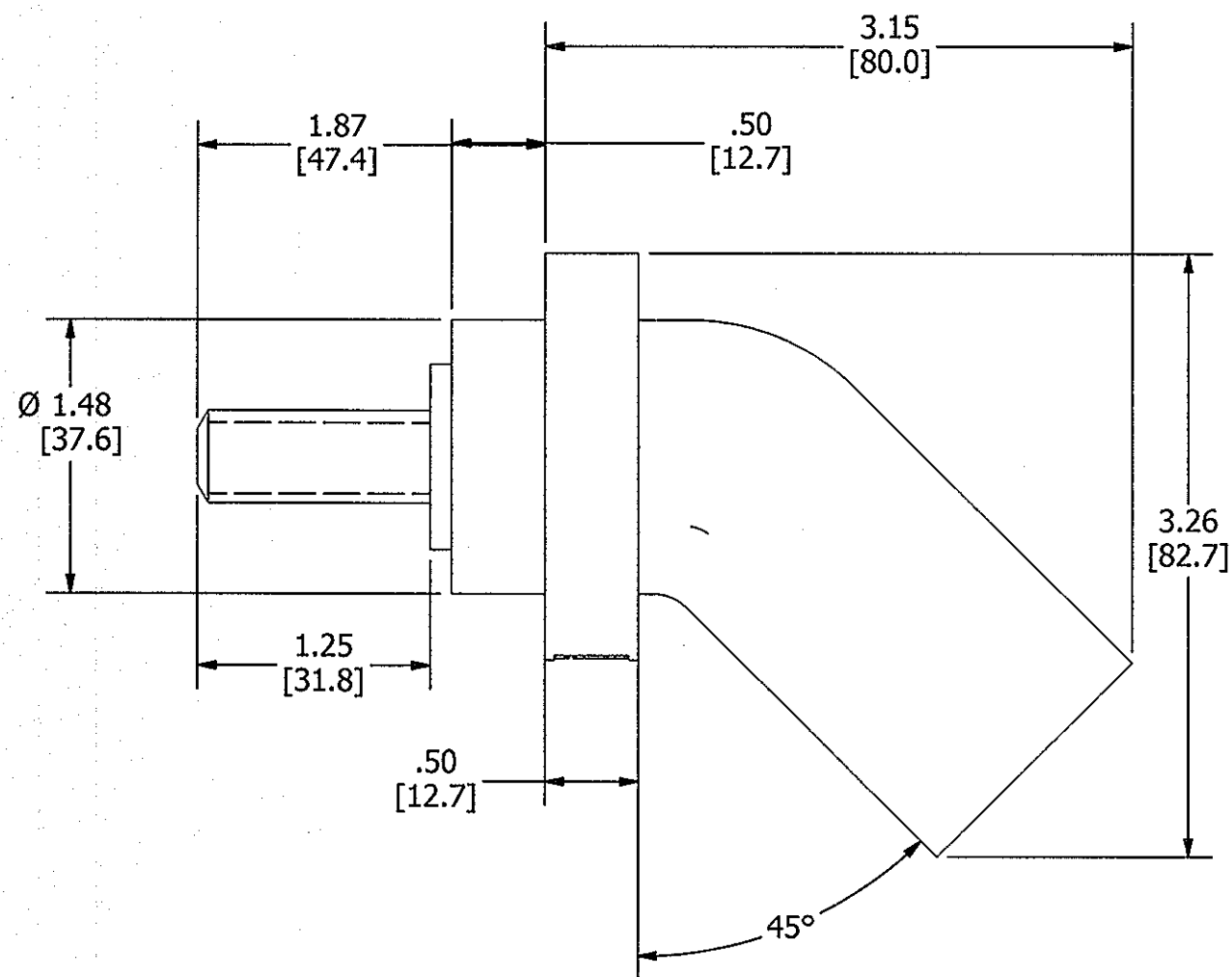
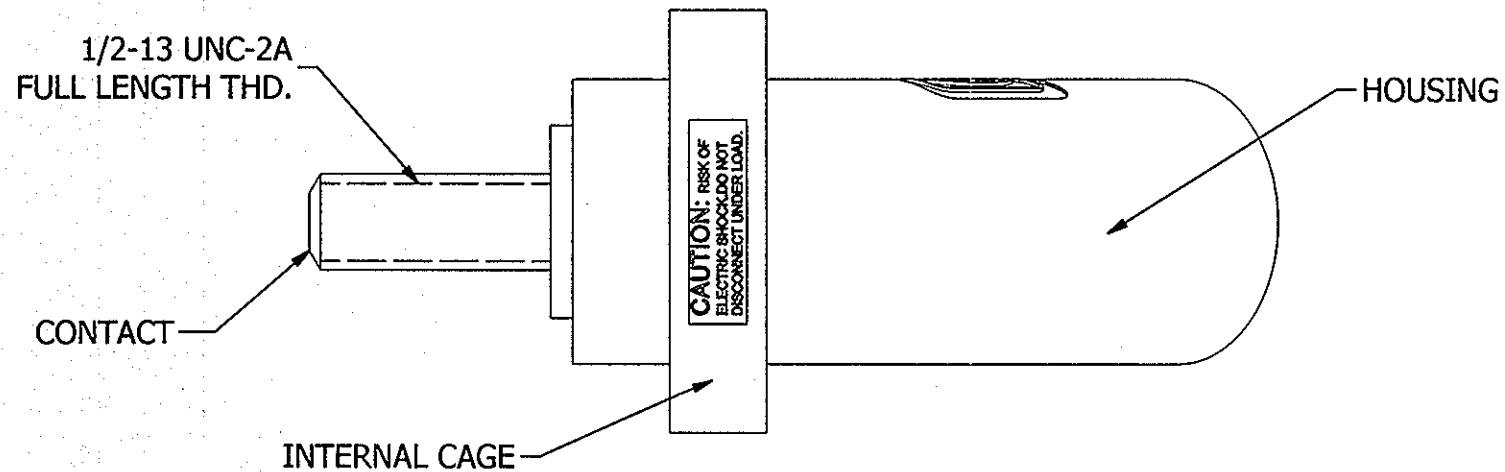
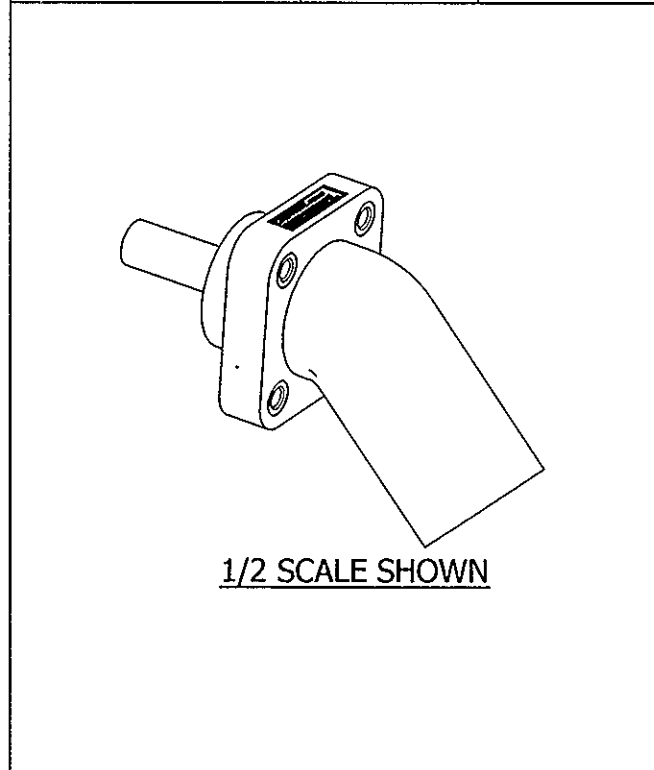


M-13365

1



LIST OF PARTS		
DESCRIPTION	MATERIAL	FINISH
HOUSING	TPE	SEE TABLE
CONTACT	BRASS	
INTERNAL CAGE	NYLON	



- NOTES:**
- DIMENSIONS ARE IN INCHES ±.02 [mm] ±.5
 - RATING: 600VAC/250VDC, 400 AMP.
 - UL/c-ul ENCLOSURE TYPES 3R, 4X, 12, SEE INSTRUCTION SHEET.

HUBBELL CAT. NO	COLOR
HBLMRASBK	BLACK
HBLMRASBL	BLUE
HBLMRASBN	BROWN
HBMRASGN	GREEN
HBLMRASO	ORANGE
HBLMRASR	RED
HBLMRASW	WHITE
HBLMRASY	YELLOW

1	RELEASED PER DCN# 22075 CAC	TLS	05/16/16
SYM	DESCRIPTION	APPROVED	DATE

THE DESIGN AND DIMENSIONS OF THE PRODUCT SHOWN ON THIS DRAWING ARE SUBJECT TO CHANGE WITHOUT NOTICE

TITLE SINGLE POLE ANGLED MALE RECEPTACLE W/STUD

TOLERANCES UNLESS OTHERWISE SPECIFIED FRACTIONS ± 1/64 DECIMALS ± .030 ANGLES ± 2°	WIRING DEVICE-KELLEMS HUBBELL INCORPORATED SHELTON, CT			
	DR. BY	CAC	APP. BY	TLS
	TR. BY		SCALE	1:1
	CHK'D BY	TLS	DATE	4/6/2016

DIMENSION SHEET FOR CAT. NO. M-13365
 REPAIRABLE NON-REPAIRABLE
 B
 M-13365
 1