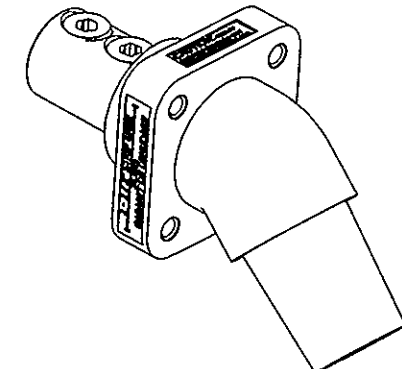
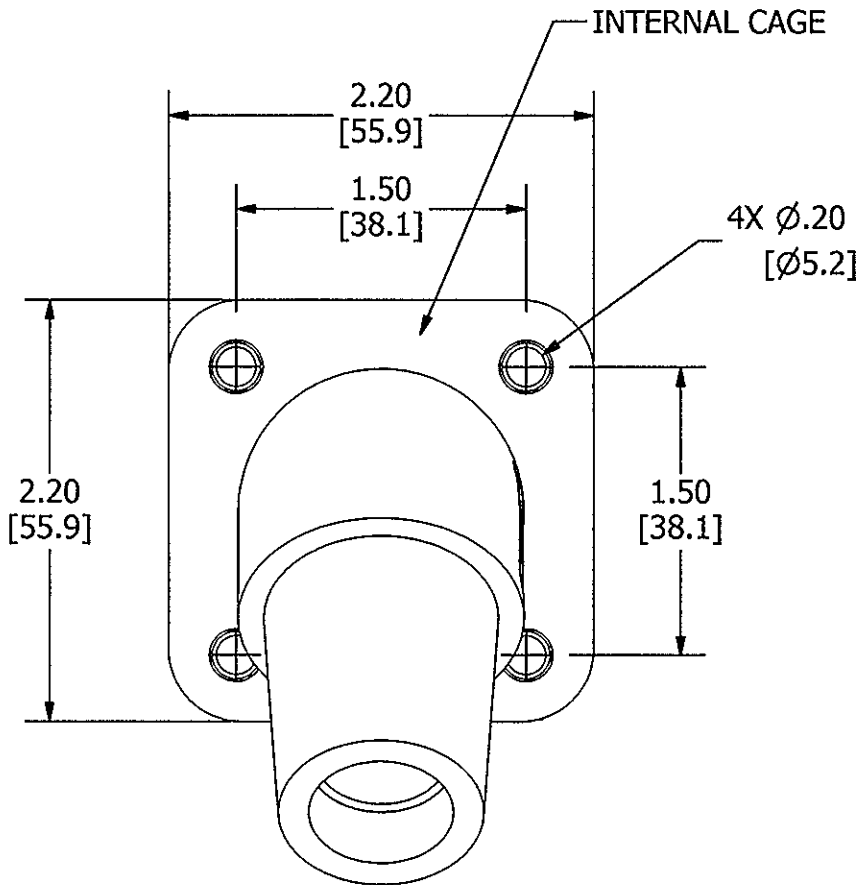
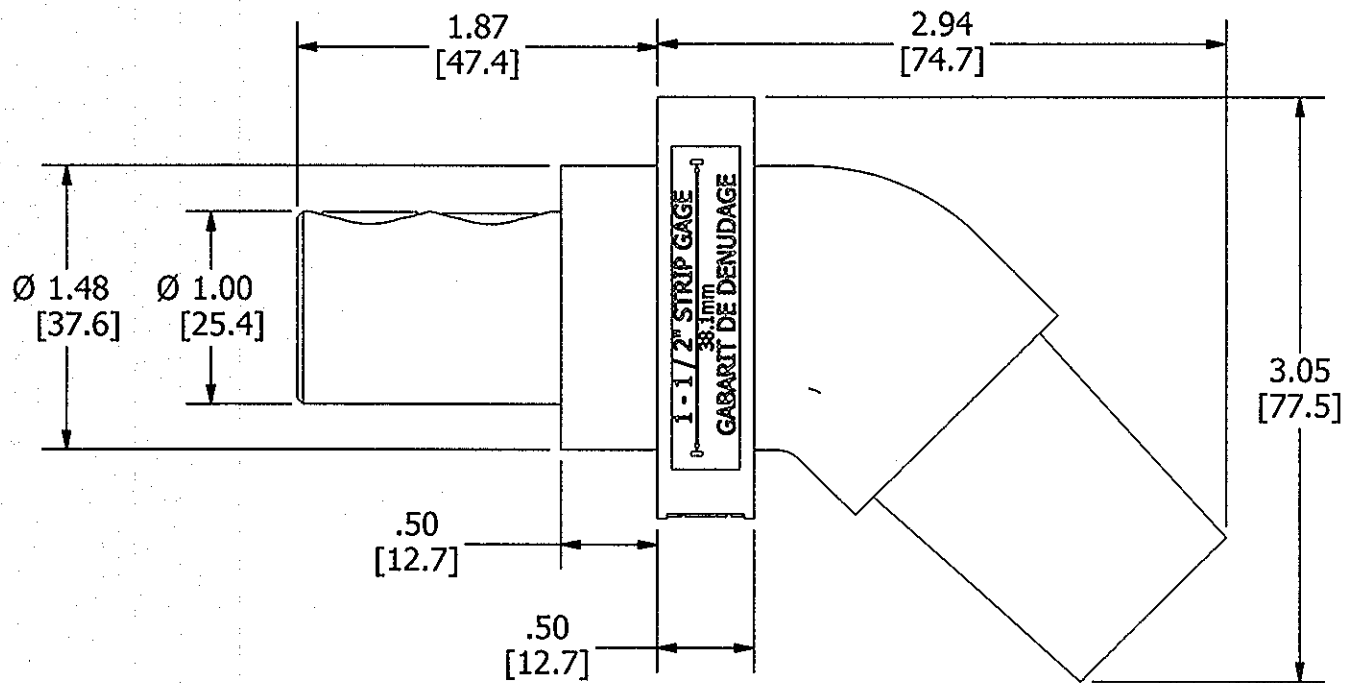
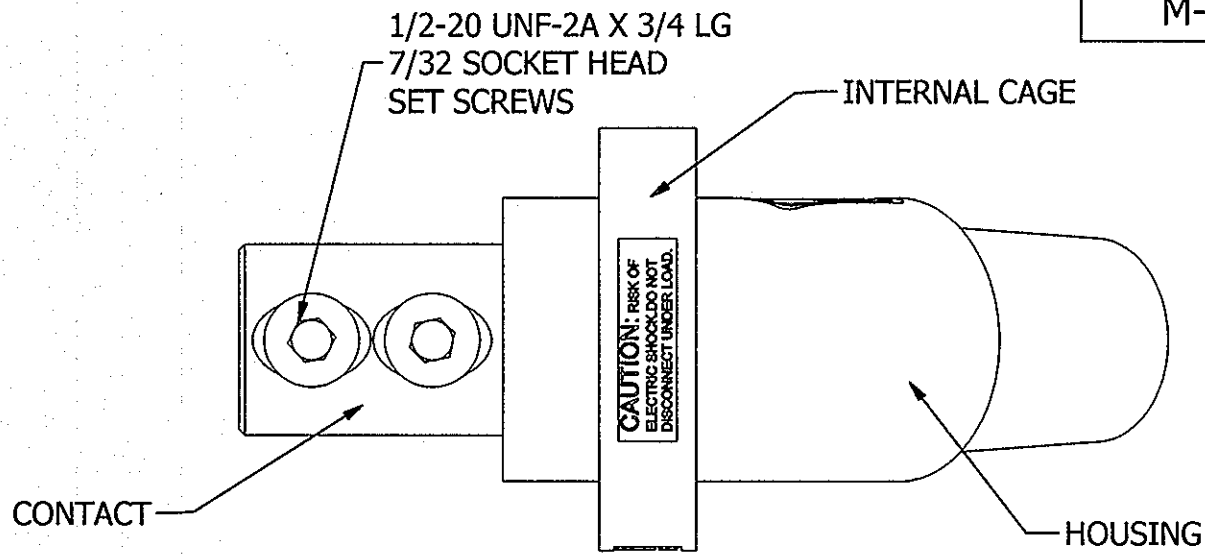


M-13368

1



1/2 SCALE SHOWN

NOTES:

1. DIMENSIONS ARE IN INCHES ±.02 [mm] ±.5
2. RATING: 600VAC/250VDC, 400 AMP.
3. UL/c-UL ENCLOSURE TYPES 3R, 4X, 12, SEE INSTRUCTION SHEET.
4. CABLE SIZE #4 AWG - 4/0, COPPER ONLY.
5. STRAIN RELIEF WIRE & COPPER SHEET NOT SHOWN.

HUBBELL CAT. NO	COLOR
HBLFRABK	BLACK
HBLFRABL	BLUE
HBLFRABN	BROWN
HBFRAGN	GREEN
HBLFRAO	ORANGE
HBLFRAR	RED
HBLFRAW	WHITE
HBLFRAY	YELLOW

LIST OF PARTS

DESCRIPTION	MATERIAL	FINISH
HOUSING	TPE	SEE TABLE
CONTACT	BRASS	
INTERNAL CAGE	NYLON	
SET SCREW	STEEL	NICKEL
STRAIN RELIEF WIRE	COPPER	
COPPER SHEET	COPPER	

DIMENSION SHEET FOR CAT. NO.

REPAIRABLE

NON-REPAIRABLE

1	RELEASED PER DCN# 22075 CAC	CAC TLS	04/28/16
SYM	DESCRIPTION	APPROVED	DATE

THE DESIGN AND DIMENSIONS OF THE PRODUCT SHOWN ON THIS DRAWING ARE SUBJECT TO CHANGE WITHOUT NOTICE

TITLE SINGLE POLE ANGLED FEMALE RECEPTACLE W/DOUBLE SET SCREW

TOLERANCES UNLESS OTHERWISE SPECIFIED	WIRING DEVICE-KELLEMS HUBBELL INCORPORATED SHELTON, CT	
FRACTIONS ± 1/64	DR. BY CAC	APP. BY TLS
DECIMALS ± .030	TR. BY	SCALE 1:1
ANGLES ± 2°	CHK'D BY TLS	DATE 4/6/2016

B

M-13368

1