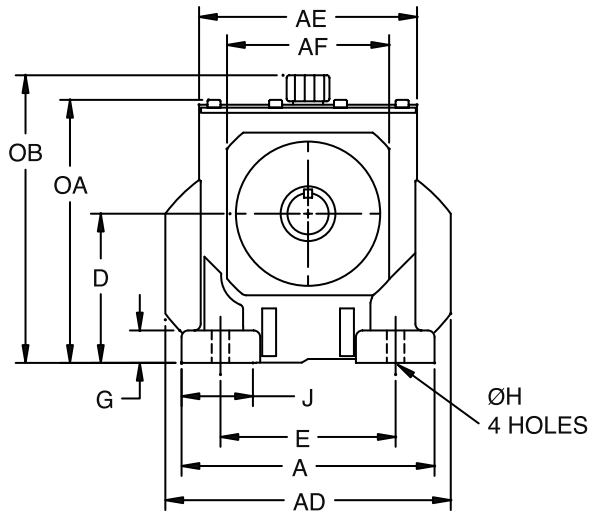
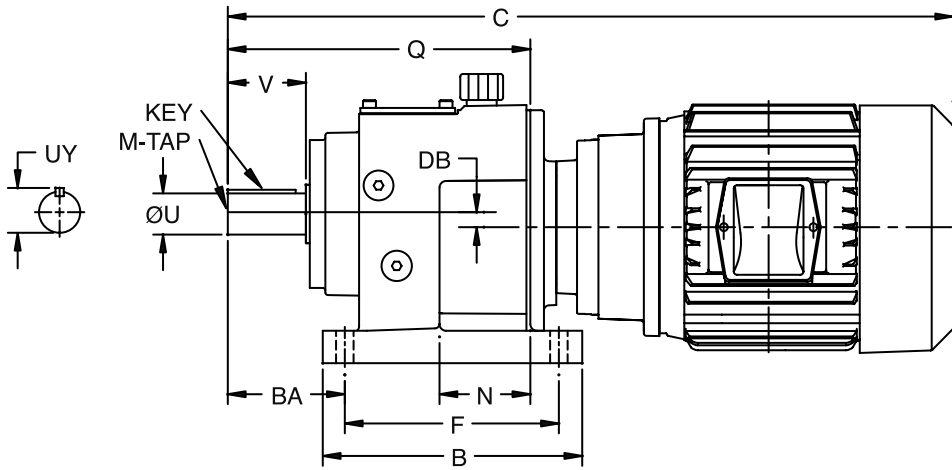


DIMENSIONS



ILH Foot Mounted, Clamp Collar C-Face Gearmotors



ILH

RHB

Motor Information

Part Number Index

DIMENSIONS



ILH Foot Mounted, Clamp Collar C-Face Gearmotors

Size	Frame Size	A	B	C *	D	E	F	G	ØH	J	N	Q	V	AD	AE	AF	BA
HB38	56C	5.77	6.30	22.72	3.54	4.33	5.12	0.79	0.39	1.33	2.33	7.48	1.97	6.42	5.07	3.77	2.95
	140TC			24.26													
	180TC			27.11													
HB48	56C	7.68	7.87	24.27	4.53	5.32	6.50	0.98	0.53	2.17	2.76	9.17	2.36	8.66	6.61	4.92	3.54
	140TC			25.82													
	180TC			29.84													
HB68	56C	9.25	9.65	26.30	5.51	6.69	8.07	1.18	0.69	2.36	3.27	11.38	3.15	10.35	8.14	6.32	4.53
	140TC			27.85													
	180TC			32.54													
	210TC			34.32													
HB88	140TC	11.42	12.21	30.54	7.09	8.47	10.24	1.77	0.69	2.95	4.26	14.41	3.94	13.07	10.24	7.87	5.52
	180TC			35.18													
	210TC			36.62													

Size	DB	OA	OB	ØU	UY	KEY	M-TAP
HB38	0	6.21	N/A	1.000	1.11	1/4 x 1/4 x 1-5/8	3/8-16 UNC x 0.87
HB48	0	7.98	8.73	1.250	1.36	1/4 x 1/4 x 2	3/8-16 UNC x 0.87
HB68	0	9.65	10.58	1.625	1.79	3/8 x 3/8 x 2-5/8	5/8-11 UNC x 1.42
HB88	0	12.21	13.17	2.125	2.35	1/2 x 1/2 x 3-1/4	3/4-10 UNC x 1.65

* Actual C dimension depends on exact motor used.