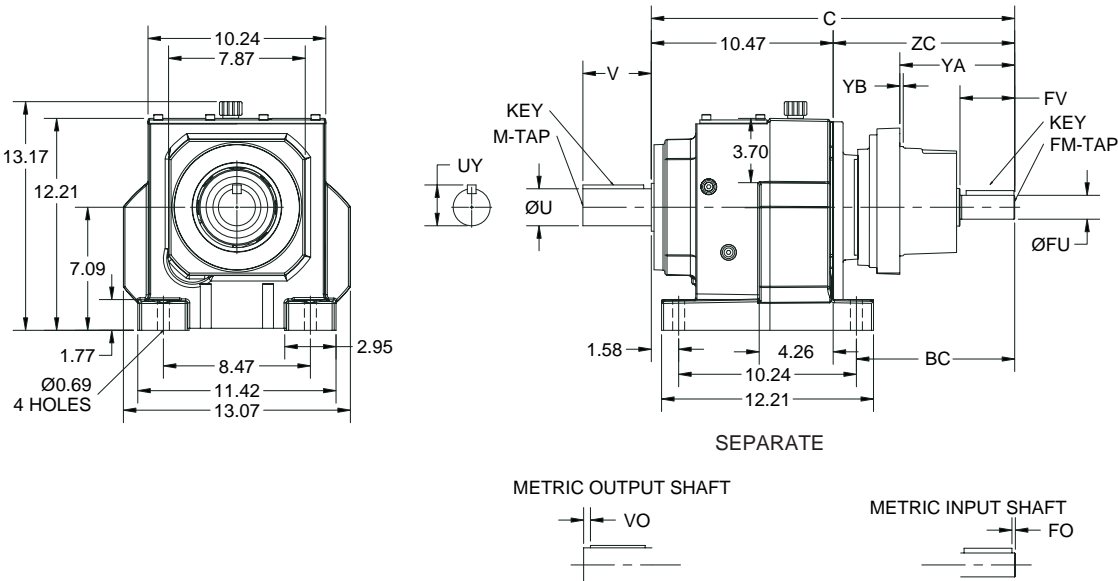




# DIMENSIONS

**IN-LINE HELICAL GEAR REDUCER (ILH)**  
 Separate - Foot Mounted

**SIZE: HB88**



SEPARATE

MOUNTING POSITIONS PAGE ILH-6	SELECTION OIL QUANTITIES PAGE ILH-6	SELECTION REDUCER PAGE ILH-16	SELECTION GEARMOTORS PAGE ILH-60
----------------------------------	--	----------------------------------	-------------------------------------

**ILH-162**



## DIMENSIONS

### IN-LINE HELICAL GEAR REDUCER (ILH)

SIZE: HB88

Separate - Foot Mounted

#### Standard Output Shaft

Dimension - Inch/MM

∅U	tol.	UY	V	VO	KEY	M-TAP x DEPTH
2.125	+0.0000 -0.0010	2.35	3.94	-	1/2 x 1/2 x 3-1/4	3/4 - 10 UNC x 1.65
50	+0.018 +0.002	54	100	10	14 x 9 x 80	M16 x 36

#### Optional Output Shaft

Dimension - Inch/MM

∅U	tol.	UY	V	VO	KEY	M-TAP x DEPTH
2.375	+0.0000 -0.0010	2.65	4.72	-	5/8 x 5/8 x 3-15/16	3/4 - 10 UNC x 1.65
60	+0.030 +0.011	64	120	10	18 x 11 x 100	M20 x 42

#### Separate Input

Dimension - Inch

	H88 Double			H88 Triple			FO	FM x Depth	∅FU	tol.	FV	YA	YB	Key
	C	BC	ZC	C	BC	ZC								
71	-	-	-	16.38	4.57	5.91	-	8-32 UNC x 0.49	0.625	+0.0000 -0.0005	1.57	2.40	0.16	3/16 x 3/16 x 1-5/16
	-	-	-	416	116	150	4	M5 x 12.5	16	+0.012 +0.001	40			5 x 5 x 32
80	-	-	-	17.76	5.94	7.28	-	1/4-20 UNC x 0.63	0.750	+0.0000 +0.0005	1.57	2.40	0.16	3/16 x 3/16 x 1-5/16
	-	-	-	451	151	185	4	M6 x 16	19	+0.015 +0.002	40			6 x 6 x 32
90	17.17	5.35	6.69	18.15	6.34	7.68	-	5/16-18 UNC x 0.75	0.875	+0.0000 -0.0005	1.97	2.80	0.16	3/16 x 3/16 x 1-5/8
	436	136	170	461	161	195	5	M8 x 19	24	+0.015 +0.002	50			8 x 7 x 40
100	17.68	5.87	7.20	18.78	6.97	8.31	-	3/8-16 UNC x 0.87	1.125	+0.0000 -0.0005	2.36	3.27	0.16	1/4 x 1/4 x 2
	449	149	183	477	177	211	5	M10 x 22	28	+0.015 +0.002	60			8 x 7 x 50
112	17.60	5.79	7.13	18.74	6.93	8.27	-	3/8-16 UNC x 0.87	1.250	+0.0000 -0.0005	2.36	3.27	0.16	5/16 x 5/16 x 2-1/16
	447	147	181	476	176	210	5	M10 x 22	28	+0.015 +0.002	60			8 x 7 x 50
132	20.94	9.13	10.47	22.05	10.24	11.57	-	3/8-16 UNC x 1.10	1.375	+0.0000 -0.0005	3.15	6.61	0.14	5/16 x 5/16 x 2-3/4
	532	232	266	560	260	294	5	M12 x 28	38	+0.018 +0.002	80			10 x 8 x 70
160	22.64	10.83	12.17	-	-	-	-	5/8 x UNC x 1.42	1.625	+0.0000 -0.0010	4.33	8.46	0.20	3/8 x 3/8 x 3-1/2
	575	275	309	-	-	-	10	M16 x 36	42	+0.018 +0.002	110			12 x 8 x 90

Reference page Engineering-5 for Input Shaft and Flange details

MOUNTING POSITIONS PAGE ILH-6	SELECTION OIL QUANTITIES PAGE ILH-6	SELECTION REDUCER PAGE ILH-16	SELECTION GEARMOTORS PAGE ILH-60
----------------------------------	--	----------------------------------	-------------------------------------

ILH-163