

BALDOR® • RELIANCE 

Product Information Packet

GPP2534

G.M. L32LA 90V DC 115 RPM 15:1 GPP2534

| Part Detail | | | | | | | |
|-------------|------|-------------|-------|----------------|----------|---------------|--------------|
| Revision: | V | Status: | PRD/A | Change #: | | Proprietary: | No |
| Type: | DC | Prod. Type: | 2532P | Elec. Spec: | 25WGZ033 | CD Diagram: | CD1918 |
| Enclosure: | TENV | Mfg Plant: | | Mech. Spec: | | Layout: | 25A155Z033G2 |
| Frame: | | Mounting: | | Poles: | 00 | Created Date: | 05-18-2006 |
| Base: | | Rotation: | R | Insulation: | F | Eff. Date: | 09-21-2016 |
| Field Type: | | Literature: | | Elec. Diagram: | | Replaced By: | |

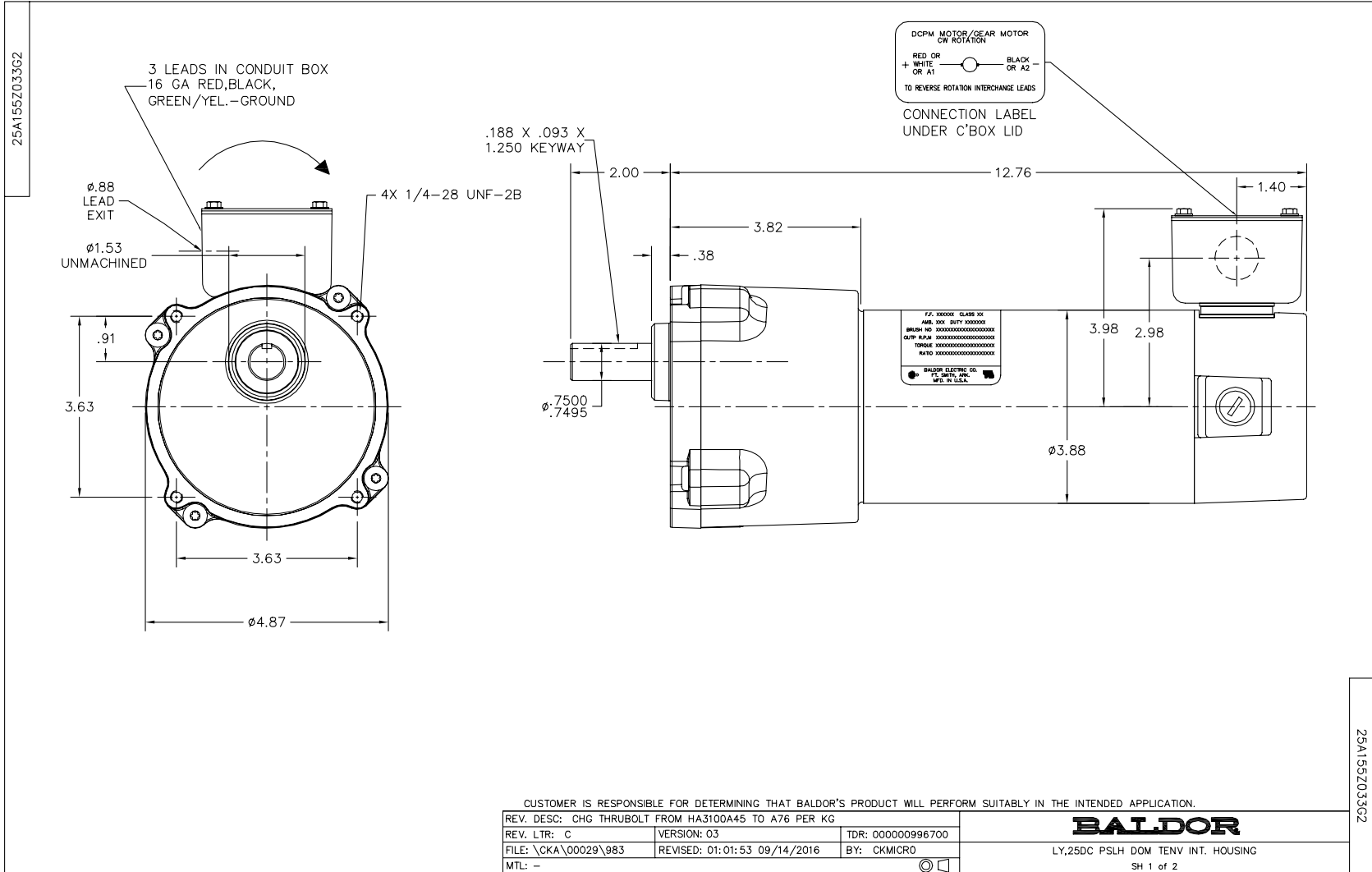
| Specs | | | |
|-----------------------|-----------------|--|--|
| Enclosure: | TENV | | |
| Gearhead Type: | PARALLEL SHAFT | | |
| Gear Ratio: | 15:1 | | |
| Gear Style: | PSLH | | |
| Mounting Arrangement: | 0.000 | | |
| Product Family: | General Purpose | | |

| Nameplate NP1220A14 | |
|---------------------|---|
| CAT.NO. | GPP2534 |
| SER.NO. | |
| SPEC. | 25A155Z033G2 |
| FRAME | PSLH TYPE 2532P |
| HP | .33 TE |
| VOLTS | 90 |
| AMP | 3.2 |
| F.F. | 1.4 CLASS F |
| AMB. | 40 DUTY CONT |
| BRUSHES | 2/BP5040BP01 |
| R.P.M. | 115 |
| TORQ/IN LB | 164 |
| RATIO | 15:1 |
| APRV-CSA | <input type="checkbox"/> |
| | APRV-UL <input type="checkbox"/> |

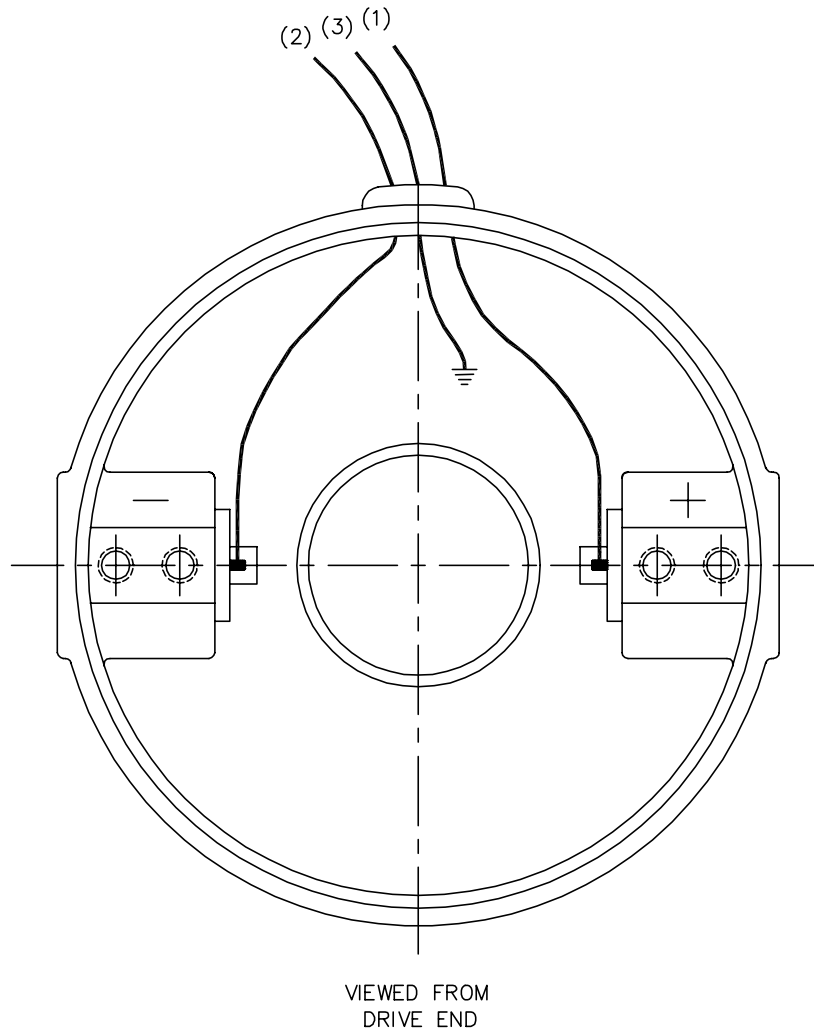
| Parts List | | |
|--------------|---|----------|
| Part Number | Description | Quantity |
| SA145253 | SA 25A155Z033G2 | 1.000 EA |
| AA012256 | AA 25A155Z033G2 | 1.000 EA |
| LC0899A02 | CONNECTION LABEL FOR TYPE DCPM | 1.000 EA |
| BP5040BP01 | BRUSH 5/16 X 7/16 GRADE R884 | 2.000 EA |
| HG0076A05BL | HSG,PSL EP 25DC LONG HOUSING | 1.000 EA |
| BMH1714 | WASHER,PREC 1.259"X.756"X.010" | 2.000 EA |
| HW5002A95 | N5002-125 32MM BEVELED INTERNAL RET RING | 1.000 EA |
| HW4600G58 | SEAL,10X20X4MM PGS 25002184 VITON VT802 | 1.000 EA |
| HA4021A05 | 1/16 NPSF-HX SOC PIPE PLUG TAPER DRY SEA | 1.000 EA |
| 25EP2102A04L | ENDPLATE, 25 FRAME BRUSH W/BLACK POWDER | 1.000 EA |
| BP4533 | BRUSH HOLDER:BBR1098 | 2.000 EA |
| 80XN1032A04 | 10-32 X 1/4 SET SCREW | 2.000 EA |
| BAD4124 | 380-50 BLK MAX LOCTITE ADHESIVE | 0.001 EA |
| BP4534 | BRUSH TUBE CAP:BBR1095 | 2.000 EA |
| HW5109A05 | WASHER, WAVE SPRING FOR 40MM BORE SMALLE | 1.000 EA |
| LD0127A24 | ASM,3LD RED,BLK,GRN RING TERM (10") | 1.000 EA |
| WD4102A01 | SR-6L-1 HEYCO STRN RELIEF OR 23MPO6L10 M | 1.000 EA |
| WD4544A01 | CABLE CLAMP, .250 DIA MICRO PLASTICS 22CC | 1.000 EA |
| 60XM0832A06 | SCREW, PAN TORX 8-32X.375 THREAD FORMING | 1.000 EA |
| HA6569L | ADAPTER PLATE, CONDUIT BOX PAINTED | 1.000 EA |
| 51XT0832G05 | SCREW,HEX HD 8-32 X 5/16 GRN. | 1.000 EA |
| HA3100A76 | THRUBOLT #10-32 X 8.812" | 2.000 EA |
| HW1004A10 | WASHER,LOCK,#10 INT. TOOTH | 2.000 EA |
| 33CB3001L | BOX, CAST W/BLACK EPOXY POWDER | 1.000 EA |

| Parts List (continued) | | |
|------------------------|--|----------|
| Part Number | Description | Quantity |
| 33GS1006 | GASKET CONDUIT BOX (LEXIDE) | 2.000 EA |
| 51XN0832A12 | 8-32 HEX SLOT WSHR HD MACH SC GRADE 2, Z | 4.000 EA |
| 34GS1001 | GASKET, STD CONDUIT BOX LID (LEXIDE) | 1.000 EA |
| 34CB4500L | CONDUIT BOX LID W/BLACK EPOXY POWDER | 1.000 EA |
| 60XM0832A06 | SCREW, PAN TORX 8-32X.375 THREAD FORMING | 4.000 EA |
| BGS01218 | SHAFT,ASSY PSLH LONG INT1 2RED 3.0/5.0 | 1.000 EA |
| BGS01219 | SHAFT,ASSY PSLH LONG OUTP 3RED 0.0/3.0 | 1.000 EA |
| CG0012A01BL | CAP, PSL GEAR HEAD | 1.000 EA |
| BH1163A03 | SCE1212 INA NEEDLE ROLLER BBG1027 | 1.000 EA |
| HW4600G71 | SEAL, .750 X 1.250 X .250 SGL LIP FT802 | 1.000 EA |
| RM1020A22 | O-RING .070 X 4.527 | 1.000 EA |
| HW3064E05 | 1/8 X 1/2 PIN DRIVE LOK TYPE H | 1.000 EA |
| MJ1000B02 | KLUB. GH6-460 GEAR OIL 1 GALLON | 0.112 GA |
| 60XM2520A12 | SCREW,PAN TORX 1/4-20X.750 THREAD FORMIN | 4.000 EA |
| NP1220A14 | NP,DC STD AD NONE V CSA UL GEAR MOTOR | 1.000 EA |
| BMH1910 | KEY 3/16X3/16X1 1/8 AUTO X | 1.000 EA |
| ME4000 | .375-.75" DIA.#SW-04 WOVEN SHAFT PROTECT | 0.021 FT |
| CPA1001 | PACKING GROUP OVERSIZED SINGLE | 1.000 EA |

| Accessories | | |
|--------------------|---|-------------------|
| Part Number | Description | Multiplier |
| LB75 | BASE, L BRACKET 34 FRAME PSL KIT BLACK | A8 |
| BC138 | 3478# KBWM-120 CN3000A57 | E9 |
| BC140 | CS2934A,120/240VAC .5/1-HP SCR CTL,NEMA | E9 |
| BC140-FBR | 3479G KBMD-240D w/FBR CN3000A54 | E9 |
| BR0035 | PLUG IN RESISTOR | P1 |



CD1918



(1) COLOR MAY BE
RED
WHT
BLU

(2) COLOR MAY BE
BLK
BRN

(3) COLOR WHEN REQ.
GRN
GRN/YEL

| | | | | | |
|----------------|--|----------------------|--|------------------------------|--|
| REV. DESC: NEW | | VERSION: 00 | | TDR: 000000353283 | |
| REV. LTR: - | | FILE: \CKA\00026\698 | | REVISED: 05:52:44 01/21/2005 | |
| 816100 | | MTL: - | | BY: CKPHIWO | |

BALDOR ELECTRIC Co.

PM,2LD,REV,TANG,CK

CD1918