

# **BALDOR**® • **RELIANCE**

## **Product Information Packet**

# **GMP3340**

**OUTPUTHP,1725RPM,3PH,60HZ,PSLH,3320M,TEF**

Part Detail							
Revision:	AE	Status:	PRD/A	Change #:		Proprietary:	No
Type:	AC	Prod. Type:	3320M	Elec. Spec:	33WG0673	CD Diagram:	CD0005A05
Enclosure:	TEFC	Mfg Plant:		Mech. Spec:		Layout:	33E592-0673K1
Frame:	PSLH	Mounting:		Poles:	04	Created Date:	02-24-2006
Base:		Rotation:	R	Insulation:	F	Eff. Date:	11-04-2014
Leads:	9#18					Replaced By:	
Literature:		Elec. Diagram:					

Nameplate NP1220A07			
CAT.NO.	GMP3340		
SER.NO			
SPEC.	33E592-0673K1		
HP	1/2	TE	
VOLTS	208-230/460		
AMP	2.2-2.5/1.3		
HZ	60	PH	3
AMB.	40	DUTY	CONT
CAP		CODE	-
SER.F.	1.00	CLASS	F
R.P.M.	43		
TORQ/IN LB	627		
RATIO	40:1		
APRV-CSA		APRV-UL	

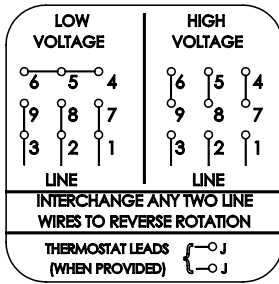
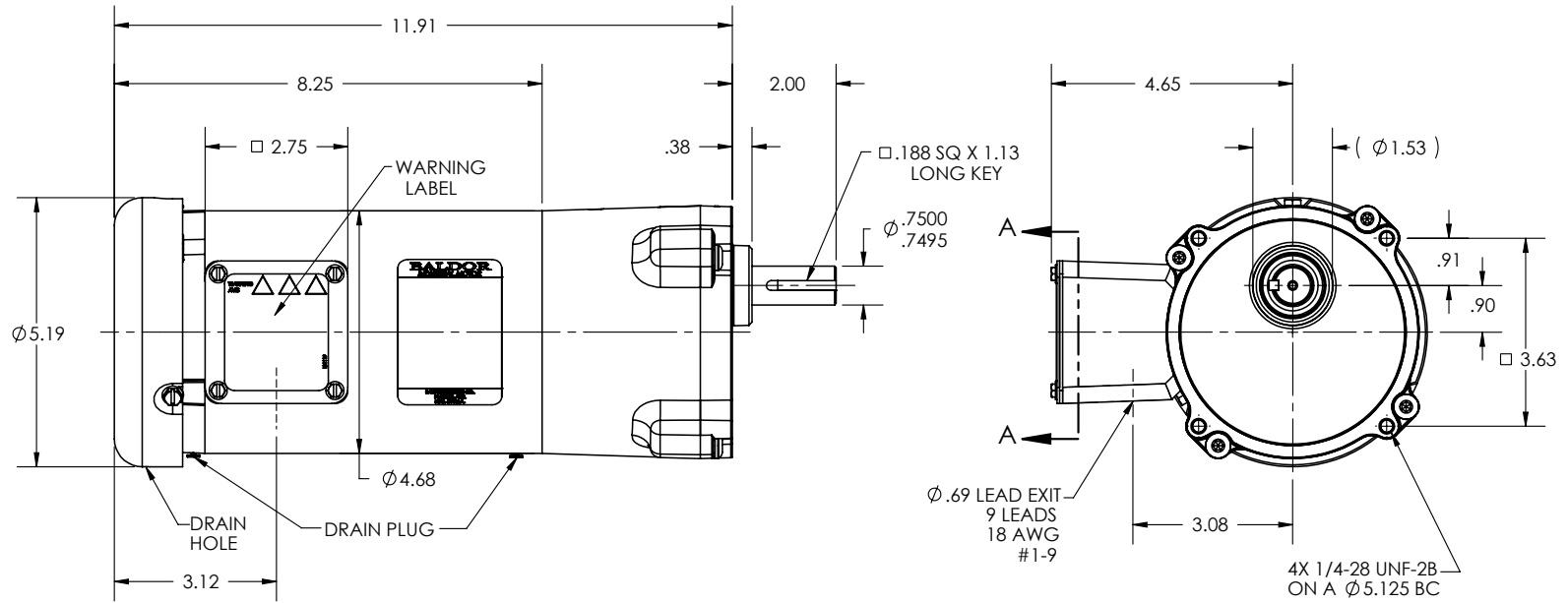
Parts List		
Part Number	Description	Quantity
SA142313	SA 33E592-0673K1	1.000 EA
RA131536	RA 33E592-0673K1	1.000 EA
HG0076A01B	HSG,PSL EP 33AC LONG HOUSING	1.000 EA
BMH1714	WASHER,PREC 1.259"X.756"X.010"	2.000 EA
HW5002A95	N5002-125 32MM BEVELED INTERNAL RET RING	1.000 EA
HW4600D28	SEAL,10X20X4MM PGS 2500Z184	1.000 EA
HA4021A05	1/16 NPSF-HX SOC PIPE PLUG TAPER DRY SEA	1.000 EA
HW3064E05	1/8 X 1/2 PIN DRIVE LOK TYPE H	1.000 EA
34CB3002C	CB CAST W/.69 DIA HOLE	1.000 EA
34GS1029A01	GASKET, CONDUIT BOX	1.000 EA
51XB1016A07	10-16 X 7/16 HXWSSLD SERTYB	2.000 EA
11XW1032G06	10-32X3/8 HX WSHR HD,SLTDTYPE 23,GREEN	1.000 EA
34CB4517	CB LID 4 MTG HOLES .22 DIA STAMPED, FOR	1.000 EA
34GS1031A01	GASKET, FLAT CONDUIT BOX LID (LEXIDE)	1.000 EA
51XT0832A08	8-32 X 1/2 TY23 HXWS SLDSR	4.000 EA
33EP3100A01SP	EP,33AC ODE GP 6203 TEFC W/DRAIN	1.000 EA
HW5109A05	WASHER, WAVE SPRING FOR 40MM BORE SMALLE	1.000 EA
HA4067A01	PUSH IN DRAIN FITTING (BLACK)	1.000 EA
HA3100A83	THRUBOLT 10-32 X 7.250"	2.000 EA
33FN3000SP	EXTERNAL FAN, PLASTIC	1.000 EA
12XN0832A16	8-32 X 1.00" SLT HEX HD ZINC PLATED	1.000 EA
HW1003A08	WASHER, #8 EX TH LK, ZN (F/S)	1.000 EA
XY0832A02	8-32 HEX NUT	1.000 EA
33FH4000A01SP	FAN COVER, STAMPED	1.000 EA

<b>Parts List (continued)</b>		
<b>Part Number</b>	<b>Description</b>	<b>Quantity</b>
51XB1016A06	10-16X3/8 HXWSSLD SERTYB	3.000 EA
BGS01238	SHAFT,ASSY PSLH LONG INT1 3RED 2.0/5.0	1.000 EA
BGS01241	SHAFT,ASSY PSLH LONG INT2 3RED 4.0/2.0	1.000 EA
BGS01221	SHAFT,ASSY PSLH LONG OUTP 2RED 0.0/4.0	1.000 EA
CG0012A01BG	CAP, PSL GEAR HEAD	1.000 EA
RM1020A22	O-RING .070 X 4.527	1.000 EA
HW4600D39	SEAL, .750 X 1.250 X .250 SINGLE	1.000 EA
BH1163A03	SCE1212 INA NEEDLE ROLLER BBG1027	1.000 EA
60XM2520A12	SCREW,PAN TORX 1/4-20X.750 THREAD FORMIN	4.000 EA
BMH1910	KEY 3/16X3/16X1 1/8 AUTO X	1.000 EA
ME4000A02	WOVEN PROTECTOR FOR SHAFT .50-1.00" DIA	0.167 FT
MJ1000B02	KLUB. GH6-460 GEAR OIL 1 GALLON	0.112 GA
MG1000G28	S-9282E MED CHARCOAL METALLIC GREY	0.030 GA
NP1220A07	NP,AC STD AD NONE V CSA UL GEAR MOTOR	1.000 EA
MN416A01	TAG-INSTAL-MAINT no wire (1200/bx) 10/13	1.000 EA
LB1119N	WARNING LABEL	1.000 EA
LB1171	LABEL CARTON 6X6 ON LINE BLANK ROLLS	1.000 EA
CPA1001	PACKING GROUP OVERSIZED SINGLE	1.000 EA
LB1506	LABEL "AMERICAN MADE" 1.50 X 1.00	1.000 EA

<b>Accessories</b>		
<b>Part Number</b>	<b>Description</b>	<b>Multiplier</b>
LB75	BASE, L BRACKET 34 FRAME PSL KIT BLACK	A8

No performance data has been  
assigned to this product.

33E592-0673K1



SECTION A-A

CUSTOMER IS RESPONSIBLE FOR DETERMINING THAT BALDOR'S PRODUCT WILL PERFORM SUITABLY IN THE INTENDED APPLICATION

REV. DESC: LOAD TO SOLID WORKS, CHG PIPE PLUG TO HA4021A05

REV: B | VERSION: 02 | REVISED: 03:52:28 05/24/2012 | TDR: 000000748096

33E592-0673K1

MODEL NO. 33E592-0673K1  
BY: CKPHIW0

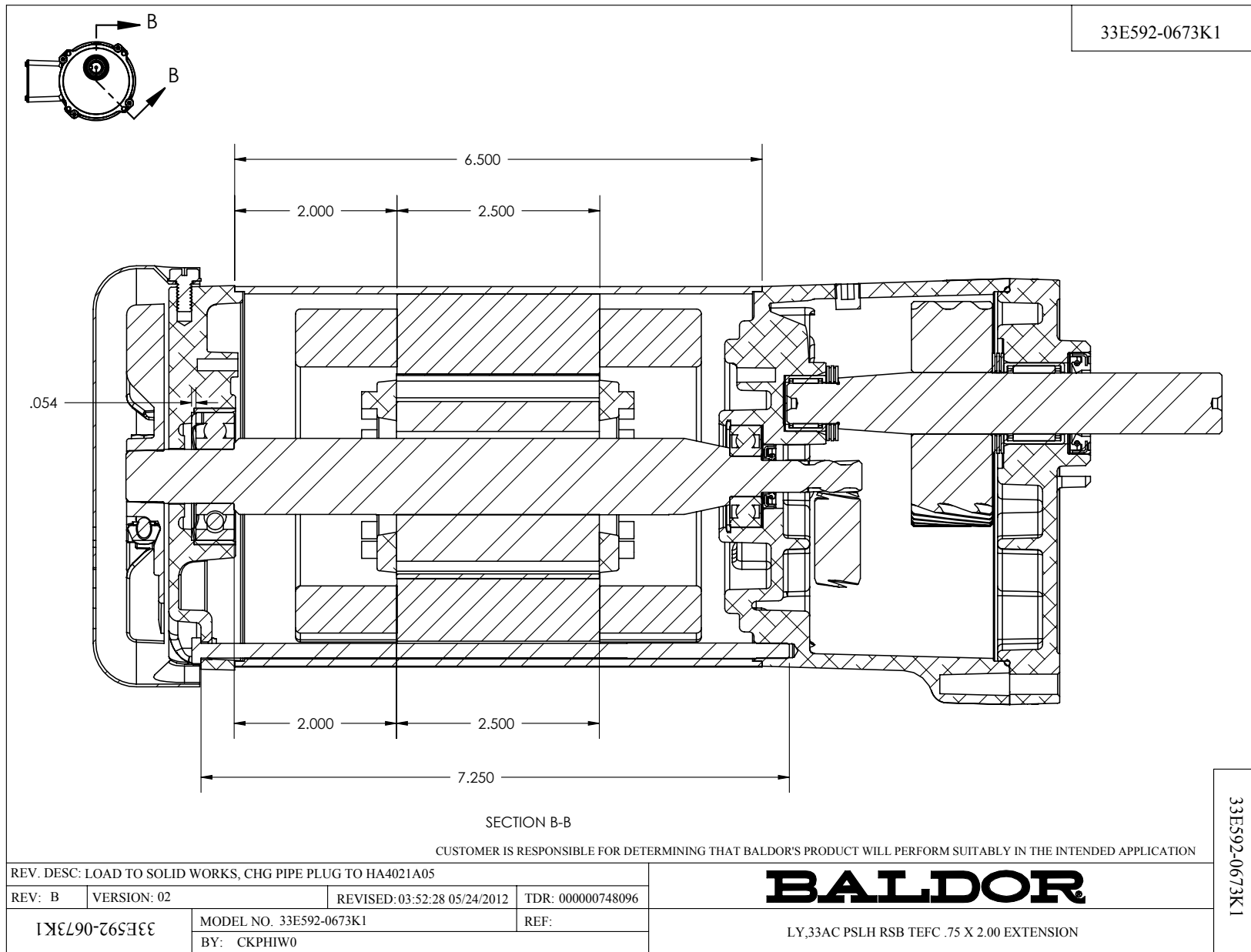
REF:

**BALDOR**

LY,33AC PSLH RSB TEFC .75 X 2.00 EXTENSION

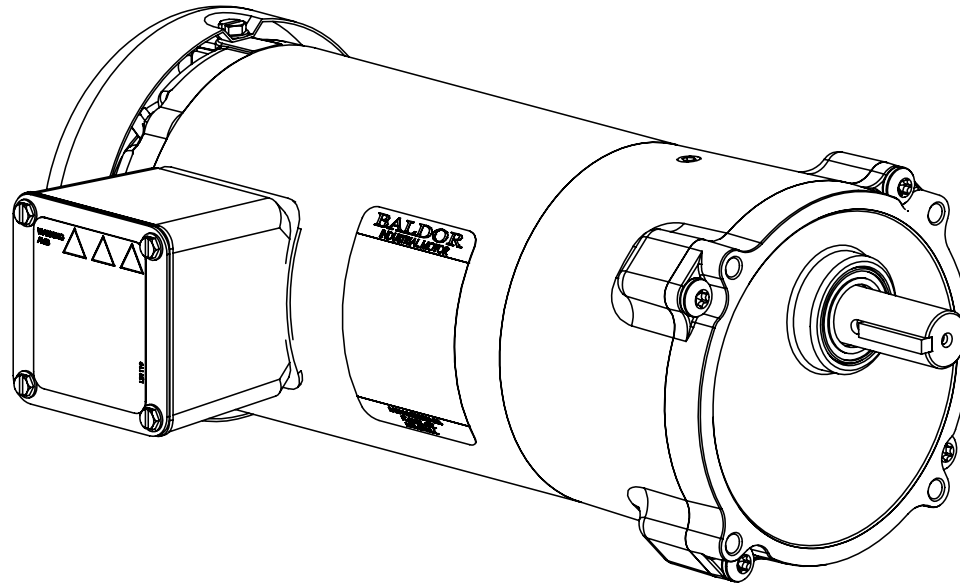
33E592-0673K1





ITEM NO.	PART NUMBER	QTY.
1	HG0076A01	1
2	BMH1714	2
3	BH1165A02	1
4	HW5002A95	1
5	HW4600D28	1
6	BH1163A02	1
7	HA4021A05	1
8	HW3064E05	1
9	33SH1246B01	1
10	33RC4120-00	1
11	SKF - 6203 - 10,DE,NC,10_68	1
12	33SA9200B96	1
13	HA4067A01	2
14	NS2512A01	1
15	34GS1029	1
16	34CB3002C	1
17	51XB1016A07	2
18	11XT1032G06	1
19	34GS1031A01	1
20	34CB4517	1
21	51XT0832A07	4
22	33EP3100A01	1
23	HW5109A05	1
24	HA3100A83	2
25	33FN3000	1
26	12XN0832A16	1
27	HW1003A08	1
28	XY0832A02	1
29	33FH4000A01	1
30	51XB1016A06	3
31	BGS01238	1
32	BGS01241	1
33	BGS01221	1
34	CG0012A01	1
35	RM1020A22	1
36	HW4600D39	1
37	BH1163A03	1
38	60XM2520A12	4
39	BMH1910	1
40	NP1220A	1
41	LB1119	1
42	LC0005	1

33E592-0673K1



33E592-0673K1

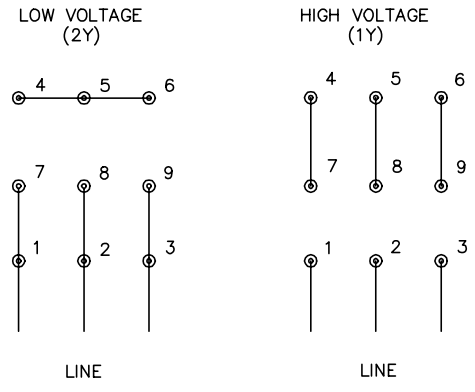
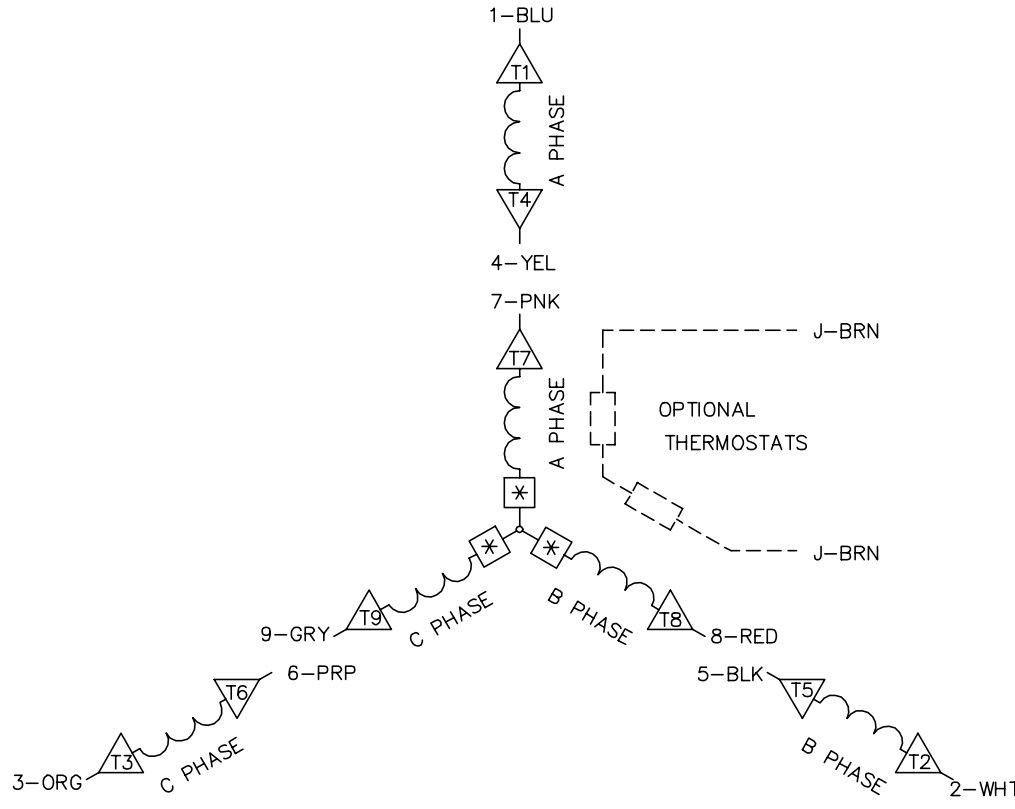
CUSTOMER IS RESPONSIBLE FOR DETERMINING THAT BALDOR'S PRODUCT WILL PERFORM SUITABLY IN THE INTENDED APPLICATION

REV. DESC: LOAD TO SOLID WORKS, CHG PIPE PLUG TO HA4021A05			
REV: B	VERSION: 02	REVISED: 03:52:28 05/24/2012	TDR: 000000748096
33E592-0673K1		MODEL NO. 33E592-0673K1	REF:
		BY: CKPHIW0	

**BALDOR**

LY,33AC PSLH RSB TEFC .75 X 2.00 EXTENSION

CD0005A05



- NOTES:
1. INTERCHANGE ANY TWO LINE LEADS TO REVERSE ROTATION.
  2. OPTIONAL THERMOSTATS ARE PROVIDED WHEN SPECIFIED.
  3. ACTUAL NUMBER OF INTERNAL PARALLEL CIRCUITS MAY BE A MULTIPLE OF THOSE SHOWN ABOVE.
  4. LEAD COLORS ARE OPTIONAL. LEADS MUST ALWAYS BE NUMBERED AS SHOWN.
  5. =MAGNET WIRE COIL END WITH I.D. NUMBER.
  6. =MAGNET WIRE COIL END WITH I.D. SYMBOL.
  7. SEE CW PRINT FOR NEST TO NEST CROSSOVER CONNECTIONS.

CD0005A05

REV. DESC: ADD NEST NOTE			
REV. LTR: C	VERSION: 03	TDR: 000000445597	
CD0005A05	FILE: \CKA\00024\847	REVISED: 12:51:06 11/15/2007	
	MTL: -	BY: CKMICRO	

**BALDOR • DODGE • RELIANCE**

3PH, DV, 9 LEADS, CK