

BALDOR® • RELIANCE 

Product Information Packet

GC25080

G.M. K20XF 115VAC 16.8//20 RPM 80:1

Part Detail							
Revision:	Q	Status:	PRD/A	Change #:		Proprietary:	No
Type:	AC	Elec. Spec:	25WGW398	CD Diagram:	CD1018	Mfg Plant:	
Mech. Spec:		Layout:	25E638W398G3	Poles:	04	Created Date:	01-06-2006
Base:		Eff. Date:	10-20-2016	Leads:	3#18		

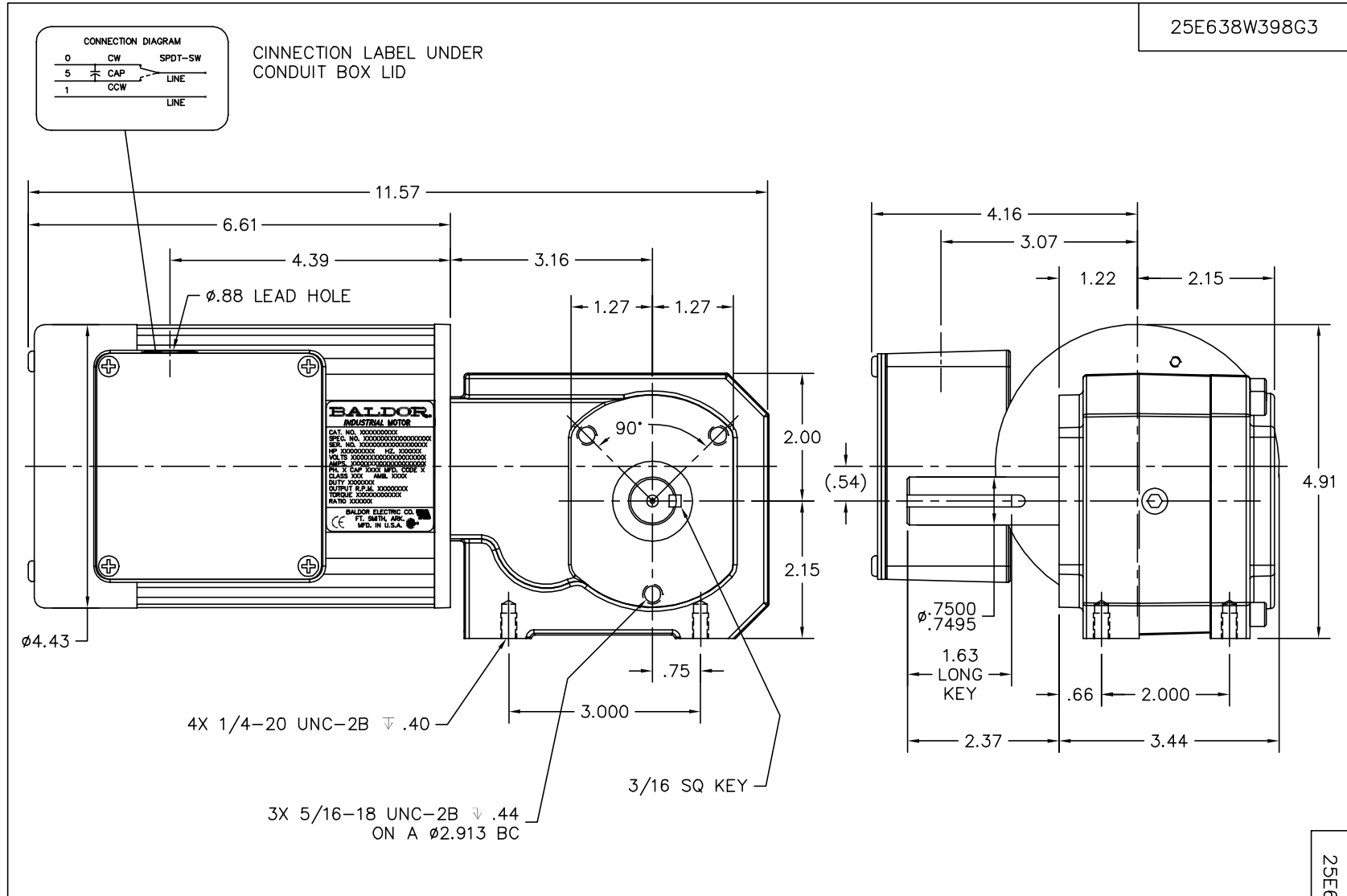
Specs			
Enclosure:	TEFC		
Gearhead Type:	RIGHT ANGLE		
Gear Ratio:	80:1		
Gear Style:	G		
Connection Diagram:	CD1018		
Dimensional Drawing Numbers:	25E638W398G3		
Duty Rating:	CONT		
Frame Material:	Aluminum		
Insulation Class:	F		
KVA Code:	-		

Nameplate NP1869A01			
CAT.NO.	GC25080		
SPEC.	25E638W398G3		
SER.NO.			
HP	.12//.16	HZ	50//60
VOLTS	115		
AMP	1.58//1.72		
PH	1	CAP	25
CLASS	F	AMB.	40
DUTY	CONT		
R.P.M.	16.8//20		
TORQ/IN LB	290		
RATIO	80:1		
APRV-CE	<input type="checkbox"/>	APRV-CSA	<input type="checkbox"/>
		APRV-UL	<input type="checkbox"/>

Parts List		
Part Number	Description	Quantity
SA146533	SA 25E638W398G3	1.000 EA
RA135608	RA 25E638W398G3	1.000 EA
OC4025A02	DRY FILM METALLIZED CAP,25MFD 250V	1.000 EA
LC0895A01	CONN.DIAGRAM 1PH,SINGLE VOLT,TYPE PSC,RV	1.000 EA
25EP2108A62G	EP,25AC DE CL 6201 G GH MTG. C'SUNK THRU	1.000 EA
HW5002A95	N5002-125 32MM BEVELED INTERNAL RET RING	1.000 EA
HW4600C38	SEAL TRANSCOM #10X30X7TC	1.000 EA
HW5060A12	RET RING, .473 (12MM) HEAVY DUTY 5160-47	2.000 EA
WM0038A26	WORM,G 20.0 INP 1.083 C.D.	1.000 EA
MJ5019A01	ADHESIVE LOCTITE #680 WAS BAD4525	0.001 EA
MJ5005A02	DYNA-WEIGHT COMPOUND BAL-1-FS,16#/KIT,	0.010 LB
CB0100B02G	CB,EXR 25 .88 LEAD EXIT F2 POSITION	1.000 EA
GS0120	GASKET,CONDUIT BOX FOR CB2000A17	1.000 EA
15XN0832A08	SCREW PAN HD 08-32 X 1/2 (PHILLIPS)	2.000 EA
CB0103A00G	CB,LID FOR CB0100 W/GRAY POWDER COATING	1.000 EA
GS0121A01	GASKET, LID FOR CB0100B00	1.000 EA
60XM0832A06	SCREW, PAN TORX 8-32X.375 THREAD FORMING	4.000 EA
LB1242	ADHESIVE PATCH 1.10 X 2.03 X .045 THICK	0.001 EA
25EP2113A24G	EP,25AC ODE GP 42C EXR TEFC WFAN CVR MT	1.000 EA
55XT0632G03	6-32 X 0.187 RD HD PHILLIPS, SERRATED	1.000 EA
HW5109A08	WASHER, WAVE SPRING FOR 30MM BORE SMALLE	1.000 EA
HA3170A19	THRUBOLT, FLATHEAD #8-32 THREADS X 6.000	2.000 EA
25FH4006A02G	HSG,FAN EXR HSG NOTCH EXT TIE BOLT FOR 1	1.000 EA
BFN3712	FAN,PM MOTOR STYLE R	1.000 EA

Parts List (continued)		
Part Number	Description	Quantity
11XN1032A14	10-32 X 7/8 SCREW HEX SLT HD	2.000 EA
HG0074A04G	HSG,G MACHINED STD.	1.000 EA
84XN1032J08	10-32 X 1/2 SOC HD CAP BKOX	4.000 EA
MJ5004A35	ADHESIVE LOCTITE #243-31 50 ML	0.001 EA
HW3075J05	1/4 X 1/2 GROOVE PIN TYPE H	2.000 EA
HA4021A05	1/16 NPSF-HX SOC PIPE PLUG TAPER DRY SEA	2.000 EA
SG0056A27	SHAFT,ASSY G INP 2RED 4.0/20.0	1.000 EA
SG0056A18	SHAFT,ASSY G OUTP 2RED 0.0/4.0	1.000 EA
CG0011A04G	HSG,CAP G MACHINED 3X 5/16-18 MOUNTING	1.000 EA
HW5109A04	WASHER, SPLIT WAVE SPRING, FOR 32MM BORE	1.000 EA
HW5109A10	WASHER, WAVE SPRING FOR 47MM BORE SMALLE	1.000 EA
84XN2520J16	1/4-20 X 1 SOC HD CAP SCREW	6.000 EA
HW4600G71	SEAL, .750 X 1.250 X .250 SGL LIP FT802	1.000 EA
MJ5001A15	SEALER-PERMATEX(LOCTITE) 40479 "THE RIGH	0.030 EA
MJ1000B02	KLUB. GH6-460 GEAR OIL 1 GALLON	0.050 GA
HW2501D15	KEY, 3/16 X 1.625	1.000 EA
ME4000	.375-.75" DIA.#SW-04 WOVEN SHAFT PROTECT	0.125 FT
NP1869A01	NP,AC STD AD NONE V CE CSA UL GEAR MOTOR	1.000 EA
MN416A01	TAG-INSTAL-MAINT no wire (1200/bx) 5/18	1.000 EA
CPA1001	PACKING GROUP OVERSIZED SINGLE	1.000 EA
PK3090	2" X 7 1/8 X 6 1/2" CRADLE	1.000 EA
LB1594	MYLAR WEEE WHEELIE BIN SYMBOL FOR CE MOT	1.000 EA

No performance data has been
assigned to this product.



25E638W398G3

CUSTOMER IS RESPONSIBLE FOR DETERMINING THAT MOTOR PERFORMANCE IS SUITABLE IN THE APPLICATION.

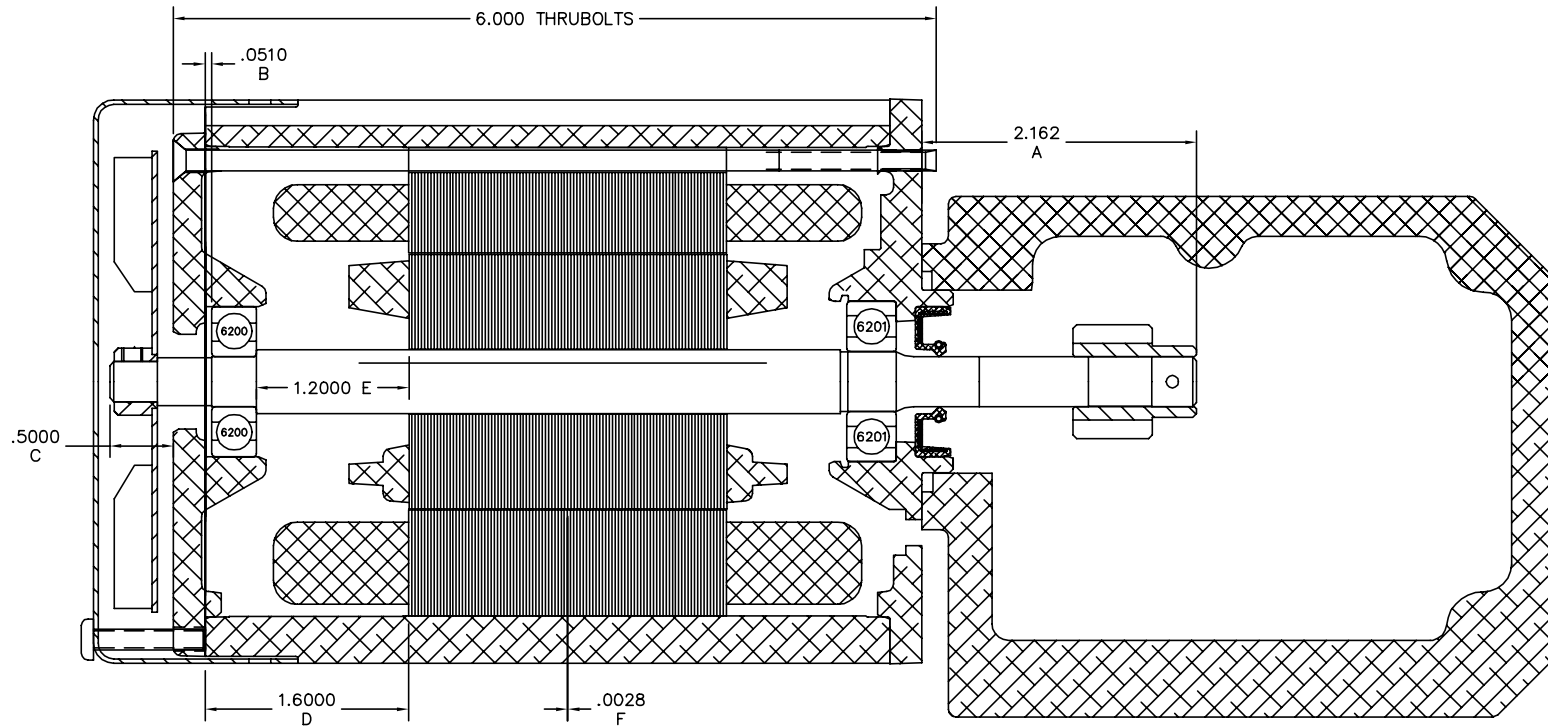
REV. DESC: REMOVED ONE NPSF HOLE		
REV. LTR: C	VERSION: 03	TDR: 000000439048
25E638W398G3	FILE: \CKA\00029\073	REVISED: 15:45:30 07/27/2007
	MTL: -	BY: CKGLEHO

Baldor • Dodge • Reliance

LY,25AC GB EXR TEFC

25E638W398G3

25E638W398G3



CUSTOMER IS RESPONSIBLE FOR DETERMINING THAT MOTOR PERFORMANCE IS SUITABLE IN THE APPLICATION.

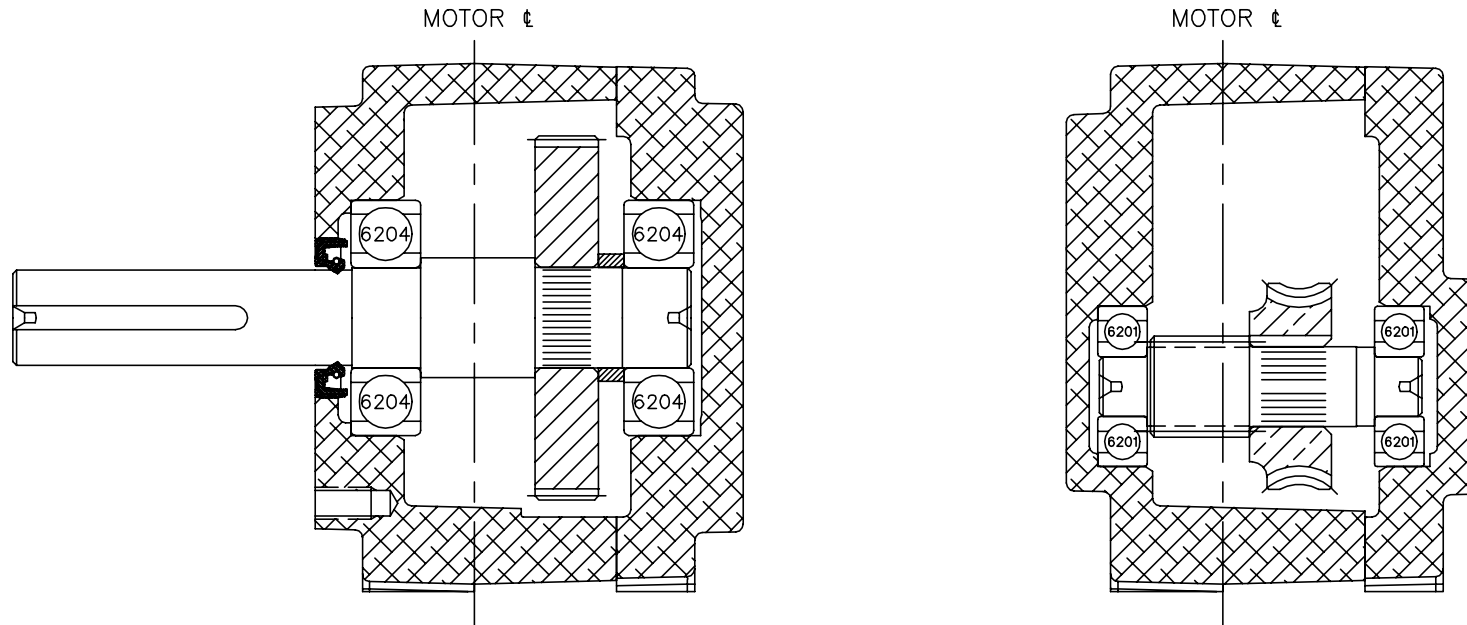
REV. DESC: REMOVED ONE NPSF HOLE		
REV. LTR: C	VERSION: 03	TDR: 000000439048
25E638W398G3	FILE: \CKA\00029\073	REVISED: 15: 45: 30 07/27/2007
	MTL: -	BY: CKGLEHO

Baldor • Dodge • Reliance

LY,25AC GB EXR TEFC

25E638W398G3

25E638W398G3



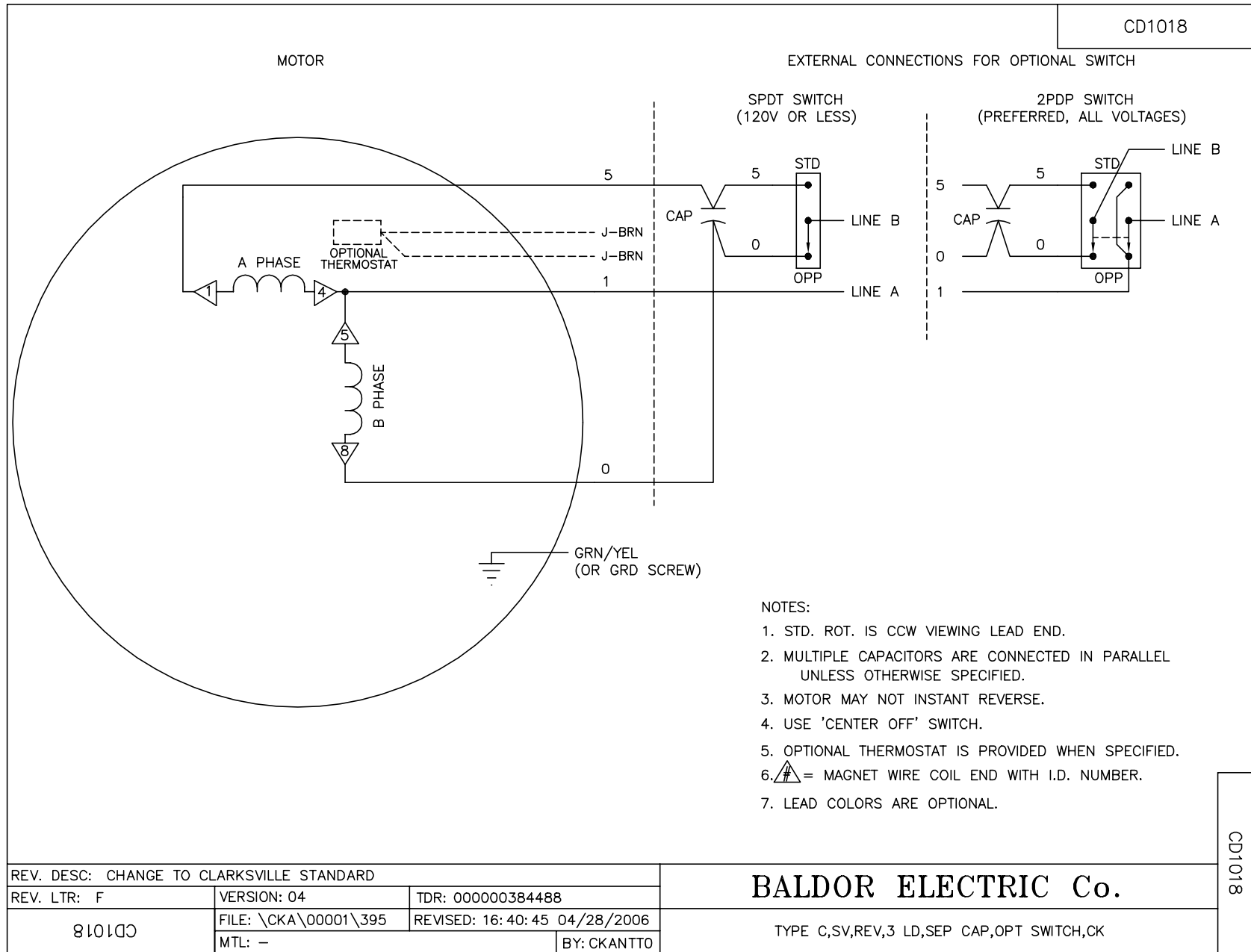
CUSTOMER IS RESPONSIBLE FOR DETERMINING THAT MOTOR PERFORMANCE IS SUITABLE IN THE APPLICATION.

REV. DESC: REMOVED ONE NPSF HOLE		
REV. LTR: C	VERSION: 03	TDR: 000000439048
25E638W398G3	FILE: \CKA\00029\073	REVISED: 15: 45: 30 07/27/2007
	MTL: -	BY: CKGLEHO

Baldor • Dodge • Reliance

LY,25AC GB EXR TEFC

25E638W398G3



CD1018