

BALDOR® • RELIANCE 

Product Information Packet

GC24308

G.M. T16TF 115V AC 40:1

Part Detail							
Revision:	AC	Status:	PRD/A	Change #:		Proprietary:	No
Type:	AC	Elec. Spec:	24WGW107	CD Diagram:	CD1018	Mfg Plant:	
Mech. Spec:		Layout:	24LYE090	Poles:	04	Created Date:	
Base:		Eff. Date:	05-10-2017	Leads:	3#18		

Specs			
Enclosure:	TEFC		
Gearhead Type:	RIGHT ANGLE		
Gear Ratio:	40:1		
Gear Style:	K		
Connection Diagram:	CD1018		
Dimensional Drawing Numbers:	24LYE090		
Duty Rating:	CONT		
Frame Material:	Steel		
Insulation Class:	F		
KVA Code:	-		

Nameplate NP1220A05

CAT.NO.	GC24308		
SER.NO.			
SPEC.	24E090W107G3		
HP	.05//.06	TE	
VOLTS	110//115		
AMP	.78//.79		
HZ	50//60	PH	1
AMB.	40	DUTY	CONT
CAP	12	CODE	-
SER.F.	1.0	CLASS	F
SF AMP	*		
R.P.M.	35//42		
TORQ/IN LB	49		
RATIO	40:1		
APRV-CE		APRV-CSA	
			APRV-UL

Parts List		
Part Number	Description	Quantity
SA061975	SA 24E090W107G3	1.000 EA
RA056242	RA 24E090W107G3	1.000 EA
SR000469	SR 24E090W107G3	1.000 EA
OC4012A02	METALLIZED CAP,12MFD 250V W/O FOOT	1.000 EA
LD0090A05	LD,03 12" 0 1 5	1.000 EA
LC0895	CONN.DIAGRAM 1PH,SINGLE VOLT,TYPE PSC	1.000 EA
MH1041B01	3-M SUPER 10 TAPE 1" WIDE	0.002 RL
HA3199A84	THRU-BOLT PAN HEAD 8-32 X 5.250	2.000 EA
HW3030A85	#8-32 UNC-3B ELASTIC STOPNUT TDR#21624	2.000 EA
24EP3108A01G	EP,24AC DE CL R8 RA	1.000 EA
HW5002A44	N5002-112 RET RING INTERNBEVELED F/6001	1.000 EA
HW4600G70	SEAL .500" X .875" X .200 SGL LIP FT802	1.000 EA
RM1057	RUBBER SQUARE RING 1.424 I.D.	1.000 EA
24EP3100A01G	FR ENDPLATE, MACH - TEFC. DIE CAST	1.000 EA
HW5109A08	WASHER, WAVE SPRING FOR 30MM BORE SMALLE	1.000 EA
55XT0632G03	6-32 X 0.187 RD HD PHILLIPS, SERRATED	1.000 EA
24FH3000G	FAN COVER - PAINTED	1.000 EA
24FN4000A01	FAN, ALUM. STAMPED, 3 1/4 HF .315-R	1.000 EA
15XN0632A08	SCREW, 6/32 X 1/2" PAN	3.000 EA
HG0048A01G	HSG,K EX	1.000 EA
60XM0832A10	SCREW, PAN TORX 8-32X.625 THREAD FORMING	4.000 EA
BG6203A01	6203 OPEN,C3,SLUSH	1.000 EA
HW5002A51	RET RING N5002 - 156 (WALDES) BEVELED 40	1.000 EA
HW4600G59	SEAL,.625" X .875" VITON VT802	1.000 EA

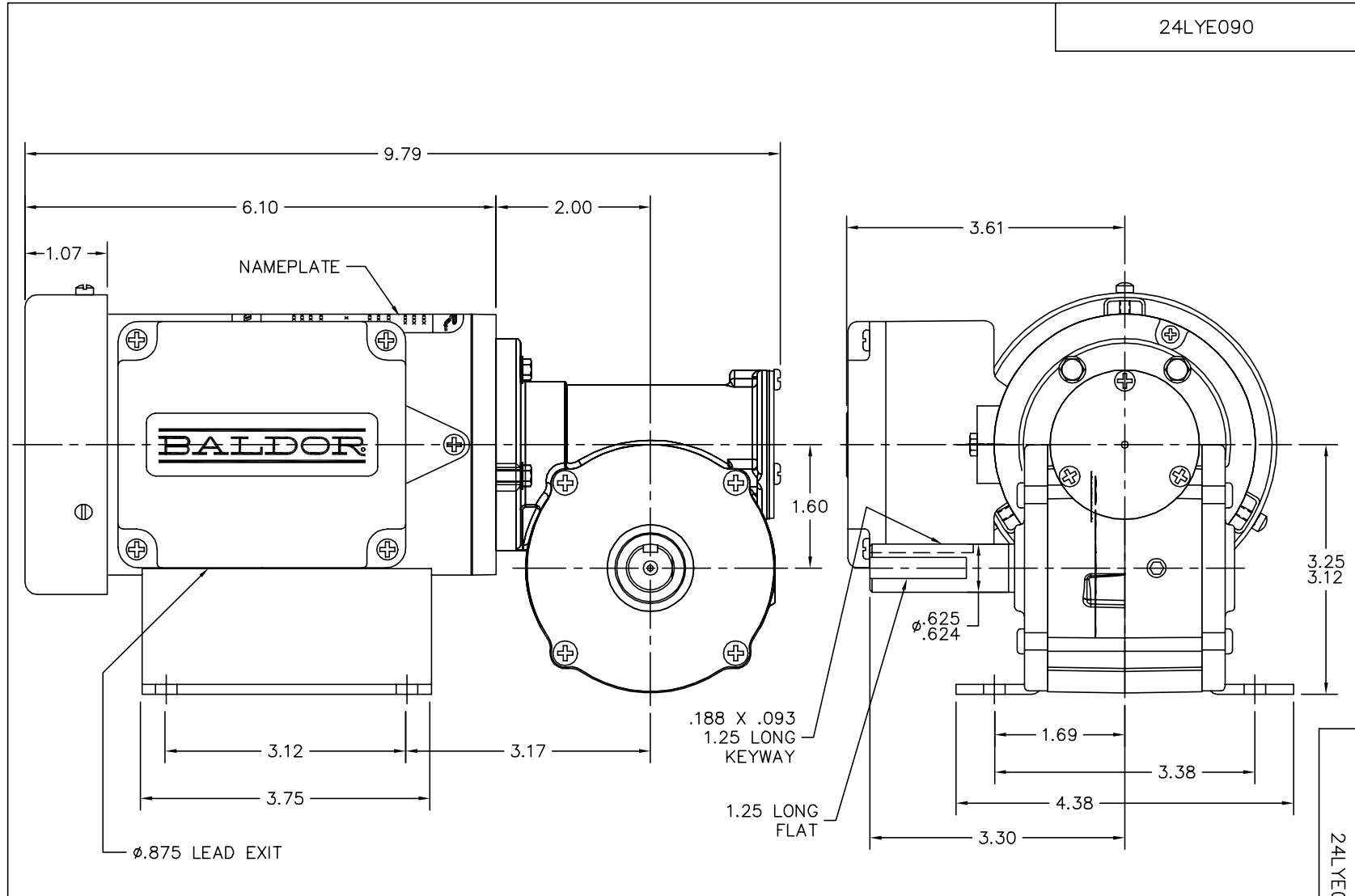
Parts List (continued)		
Part Number	Description	Quantity
RM1056	RUBBER SQUARE RING 2.739 I.D.	1.000 EA
BCG5494-002G	CAP,K BOX GEARHOUSING, MACH'D W/ GRAY	1.000 EA
HW5100A03	WAVY WASHER (W1543-017)	1.000 EA
19XN1032A09	SCREW, HEX WASHER HEAD, #10-32 X .563 W/	2.000 EA
84XN1032J10	10-32 X 5/8 SOC HD CAP BKOX	2.000 EA
BCG5494-001G	CAP, "K" BOX GEARHOUSING, MACH'D	1.000 EA
60XM0832A10	SCREW, PAN TORX 8-32X.625 THREAD FORMING	4.000 EA
RM1056	RUBBER SQUARE RING 2.739 I.D.	1.000 EA
HA1194B01	BLADDER,CJK EXPANSION	1.000 EA
15XM0632A06	SCREW, 6-32X .375, THREAD FORMING	3.000 EA
BMH1910	KEY 3/16X3/16X1 1/8 AUTO X	1.000 EA
24CB3000AZYT	MODEL 24 KENCO, A ZYTEL HTNFR52G30BL	1.000 EA
12XN0632A07	06-32 X 7/16 HX	2.000 EA
24CB3500BZYT	CB LID - 24 NO LOGO, ZYTEL HTNFR52G30BL	1.000 EA
12XN0632A05	06-32 X 5/16 HX	1.000 EA
15XP0619A08	#6-19X1/2 PAN HD PHILLIPS PLASTITE 48-2	4.000 EA
MJ1000B02	KLUB. GH6-460 GEAR OIL 1 GALLON	0.024 GA
MJ5019A01	ADHESIVE LOCTITE #680 WAS BAD4525	0.010 EA
HA4021A05	1/16 NPSF-HX SOC PIPE PLUG TAPER DRY SEA	1.000 EA
WD4006A04	T&B RC-6,WIRE JOINT (BULK PACK)	2.000 EA
LD0090A17	LD,02 6" 0 5	1.000 EA
WM0054A04	WORM,K 40.0 INP	1.000 EA
CPA1000	PACKING GROUP STD. SINGLE	1.000 EA
NP1220A05	NP,AC STD AD NONE V CE CSA UL GEAR MOTOR	1.000 EA

Product Information Packet: GC24308 - G.M. T16TF 115V AC 40:1

MN416A01	TAG-INSTAL-MAINT no wire (1200/bx) 5/18	1.000 EA
LB1451	WARNING LABEL, CE WARNING SYMBOLS ONLY	1.000 EA
ME4000	.375-.75" DIA.#SW-04 WOVEN SHAFT PROTECT	0.166 FT
LB1594	MYLAR WEEE WHEELIE BIN SYMBOL FOR CE MOT	1.000 EA

Accessories		
Part Number	Description	Multiplier
BKP2400	CONDUIT BOX KIT FOR 24 FRAME	A8

No performance data has been
assigned to this product.



CUSTOMER IS RESPONSIBLE FOR DETERMINING THAT BALDOR'S PRODUCT WILL PERFORM SUITABLY IN THE INTENDED APPLICATION.

REV. DESC: SHOW NP POS...VH203362615		
REV. LTR: E	VERSION: 04	TDR: 000001001750
FILE: \CKA\00007\553	REVISED: 09:25:20 10/20/2016	BY: CKMICRO
MTL: -		

BALDOR

LAYOUT, 24 K TEFC GP NONE 1.88 .625 KEY & FLAT

SH 1 of 1

