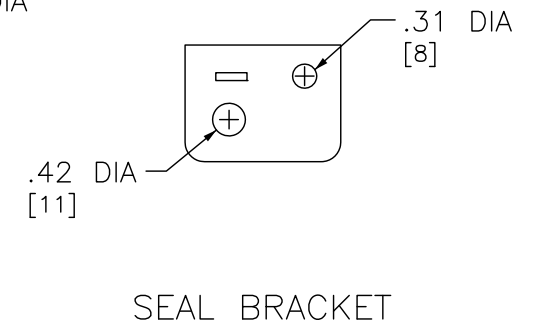
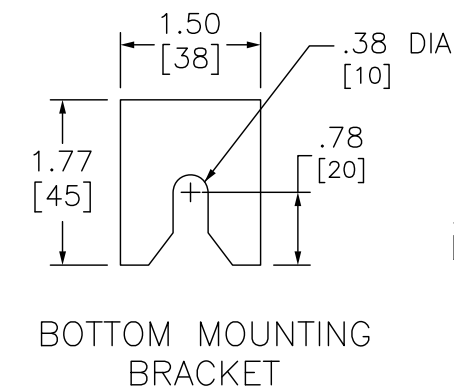
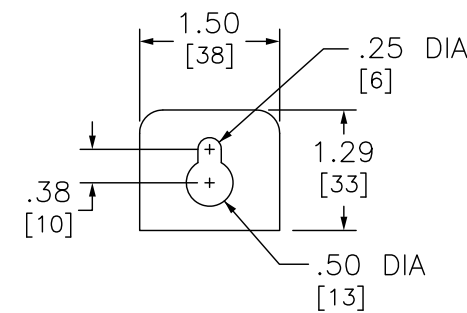
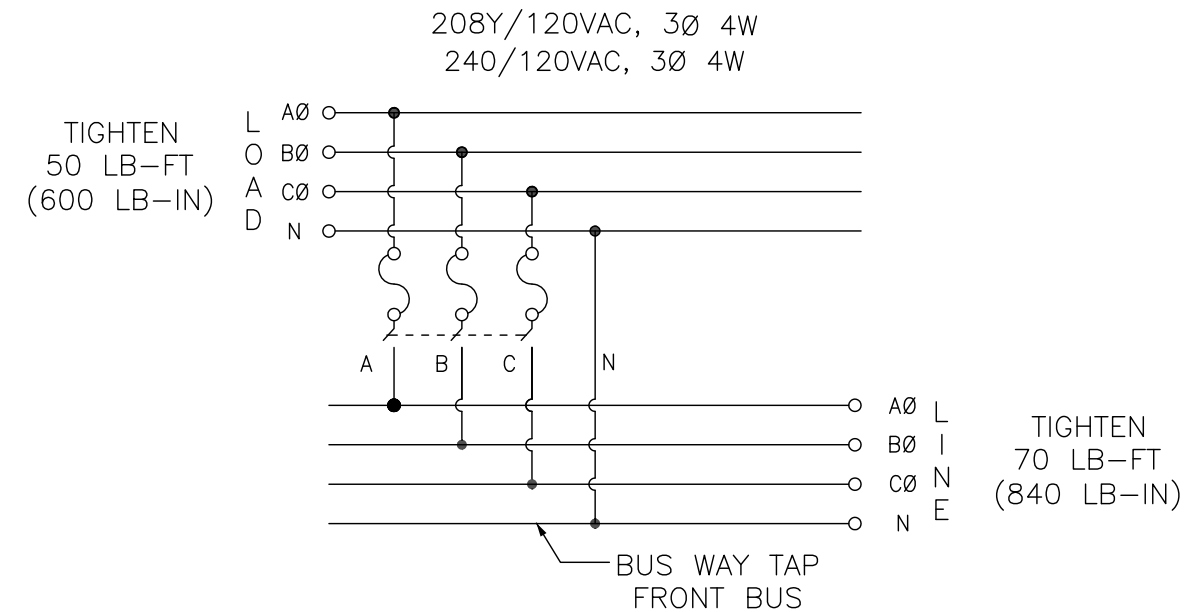


ADDITIONAL NOTES :

- HANDLE EXTENSION AVAILABLE M-FRAME BREAKER ORDER KIT REF. 33195
- FUSES NOT INCLUDED, ORDER 300V CLASS T FUSES 100KA SCCR (INTERRUPTING RATING RMS SYMMETRICAL).

KNOCKOUTS		
SYMBOL	CONDUIT SIZE	
	IN	MM
A	.50	13
B	.75	19



DUAL DIMENSIONS: INCHES MILLIMETERS

SYSTEM TYPE	MAIN RATING (AMPERES)	CATALOG NUMBER	MOLDED CASE BREAKER (FACTORY INSTALLED)
3Ø 4W 208Y/120VAC OR 240/120VAC DELTA	600	EZM3600FSNFBTR	MJF32000Z60
	800	EZM3800FSNFBTR	MJF32000Z80

NFBTR SUFFIX MEANS [NEUTRAL FRONT BUS TAP RIGHT]

NOTES:
FINISH - GRAY BAKED ENAMEL POWDER COAT PAINT OVER CLEANED GALVANNEALED STEEL.
UL LISTED - FILE E131840, VOL. M
MAIN HORIZONTAL CROSS BUS RATED AT 800 AMPERES. ALUMINUM 1/4 x 1-3/4 TWO LAMINATIONS
MAIN DEVICES ARE SEALABLE BY UTILITY.
GANGABLE MULTI-METERING EQUIPMENT IS DESIGNED FOR WALL MOUNTING ONLY.
(NOT SUITABLE FOR FLOOR STANDING EQUIPMENT.)
800AMP MAIN CIRCUIT BREAKER SUITABLE FOR USE ONLY WITH BRANCH DEVICES.
GROUND CONTINUITY IS MAINTAINED THROUGH THE ENCLOSURE WITH BUSWAY BONDING BRACKETS.

EZ METER-PAK GANGABLE
MULTI-METERING EQUIPMENT
600A-800A 3PH 4W MOLDED CASE SWITCH
BUSWAY FEED RIGHT SIDE
INDOOR TYPE 1 ENCLOSURE

SQUARE D
by Schneider Electric

DWG# PWFDS-SYRS-0132
NO.