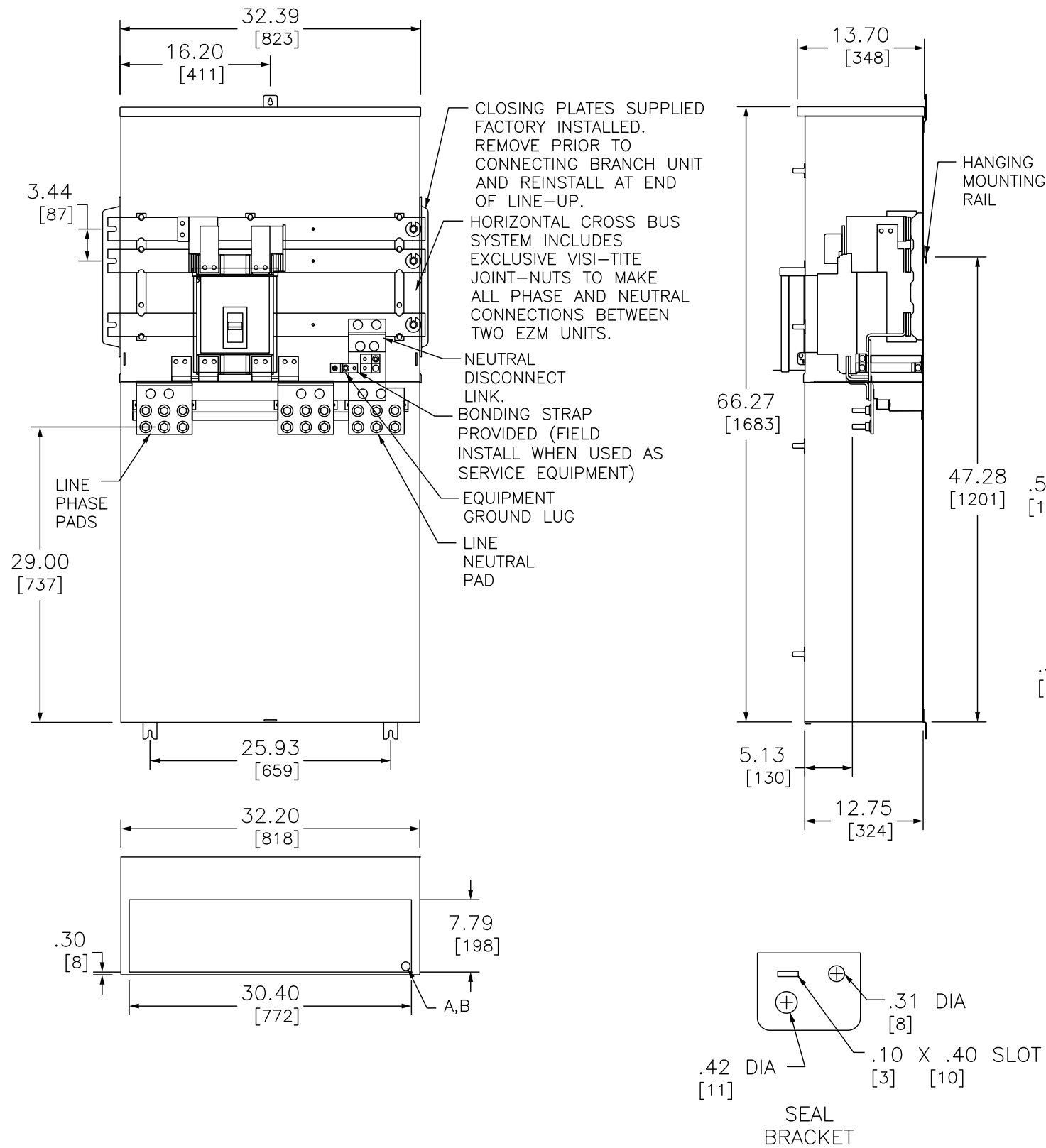
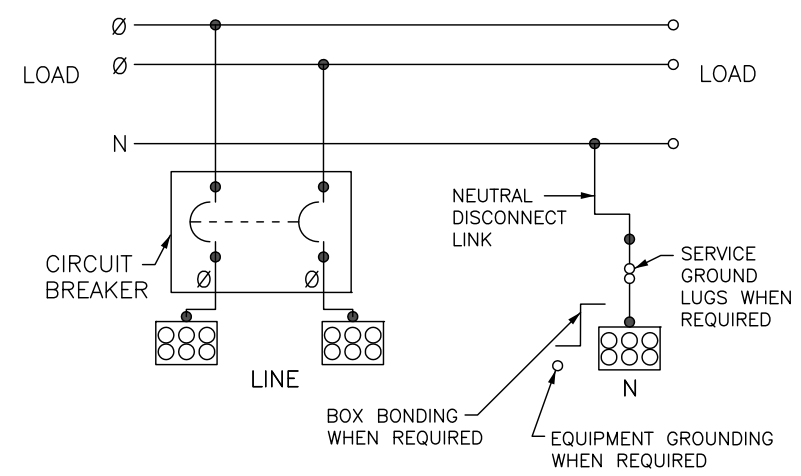


ADDITIONAL NOTES:  
 WHEN USED AS SERVICE EQUIPMENT, INSTALL BONDING STRAP AND DISCARD EQUIPMENT GROUND LUG.  
 ▲ THIS LUG IS AVAILABLE FROM SQUARE D. ORDER CATALOG NUMBER CMLK4, KIT INCLUDES 4 LUGS.



THE FOLLOWING LUGS MAY BE INSTALLED ON THE LINE LUG PADS.

MANUFACTURER	CATALOG NUMBER	WIRE RANGE, AWG/KCMIL	CRIMPING TOOL	TORQUE LB-IN
ANDERSON	VHCL50012BN	4/0-500 CU	VC63, VC7, VC6FT, VC7FT	-
ANDERSON	VHCL60012BN	250-600 CU	VC6FT, VC7FT, VC8	-
ANDERSON	VHCL75012BN	500-750 CU	VC6FT, VC7FT, VC8	-
ANDERSON	VACL50012BN	4/0-500 CU-AL	VC63, VC6FT	-
ANDERSON	VACL60012BN	350-600 AL/350-500 CU	VC6FT, VC8	-
ANDERSON	VACL75012BN	500-750 AL/500 CU	VC6FT, VC8	-
ANDERSON	VCEL05012H2	2/0-500 CU-AL	VC63, VC6FT	-
ANDERSON	VCEL06012H2	400-600 AL/400-500 CU	VC6FT	-
ANDERSON	VCEL07512H2	500-750 AL/500 CU	VC6FT	-
ANDERSON	VCELC05012H2	250-500 CU	VC63, VC7, VC6FT, VC7FT	-
ILSCO	2ACL-600	250-600 CU-AL	IDT-12	-
ILSCO	TA-600-2N ▲	2-600 CU-AL	-	375
ILSCO	TA-800-2N	300-800 CU-AL	-	500
ILSCO	TA-1000-2N	500-1000 CU-AL	-	500
ILSCO	PB2-600-2N	2-600 CU-AL	-	500
CMC	A1B2-600-2	2-600 CU-AL	-	375
CMC	L1D2-600	2-600 CU-AL	-	550
CMC	L1D2-800	300-800 CU-AL	-	550
CMC	L1D2-1000	500-1000 CU-AL	-	550
1/2-13 MOUNTING NUTS FOR LINE LUGS				375



KNOCKOUTS		
SYMBOL	CONDUIT SIZE	
	IN	MM
A	.50	13
B	.75	19

DUAL DIMENSIONS: INCHES MILLIMETERS

SYSTEM TYPE	MAIN RATING (AMPERES)	CATALOG NUMBER	MAIN CIRCUIT BREAKER (FACTORY INSTALLED) INTERRUPTING RATING 65kA @ 240V	LINE PHASE AND NEUTRAL LUG LANDING PADS PROVIDED FOR USE WITH CRIMP-TYPE LUGS(2-HOLE MOUNTING) QUANTITY OF LUGS PER PAD.	GROUND LUG WIRE RANGE (FACTORY INSTALLED)
1Ø 3W 120/240 VAC	1000	EZM11000CBU	PGF36100U31A	3 (ORDER LUGS SEPARATELY)	(1) #6-300

NOTES:  
 FINISH - GRAY BAKED ENAMEL POWDER COAT PAINT OVER CLEANED GALVANNEALED STEEL.  
 UL LISTED - FILE E131840, VOL. M  
 SUITABLE FOR USE AS SERVICE EQUIPMENT.  
 MAIN HORIZONTAL CROSS BUS RATED AT 1200 AMPERES. ( ALUMINUM 1/4 X 2 1/2 TWO LAMINATIONS ).  
 MAIN DEVICES ARE SEALABLE BY UTILITY.  
 GANGABLE MULTI-METERING EQUIPMENT IS DESIGNED FOR WALL MOUNTING ONLY.  
 (NOT SUITABLE FOR FLOOR STANDING EQUIPMENT.)  
 MEETS EUSERC STANDARDS FOR WEST COAST BASED UTILITIES.

EZ METER-PAK GANGABLE  
 MULTI-METERING EQUIPMENT  
 1000A 1PH 3W MAIN CIRCUIT BREAKER DEVICES  
 UNDERGROUND FEED ONLY  
 RAINPROOF NEMA TYPE 3R ENCLOSURES



DWG# PWFDS-SYRS-0190  
 NO.