

**BALDOR® • RELIANCE** 

**Product Information Packet**

**EM3154T-8G**

**1.5HP,1755RPM,3PH,60HZ,145T,3522M,OPSB,F**

Part Detail							
Revision:	M	Status:	PRD/A	Change #:		Proprietary:	No
Type:	AC	Elec. Spec:	35WGM922	CD Diagram:	CD0006	Mfg Plant:	
Mech. Spec:	35Z069	Layout:	35LYZ069	Poles:	04	Created Date:	09-11-2013
Base:	RG	Eff. Date:	09-20-2018	Leads:	3#18		

Specs			
Catalog Number:	EM3154T-8G	Inverter Code:	Inverter Ready
Enclosure:	OPSB	KVA Code:	L
Frame:	145T	Lifting Lugs:	No Lifting Lugs
Frame Material:	Steel	Locked Bearing Indicator:	Locked Bearing
Output @ Frequency:	1.500 HP @ 60 HZ	Motor Lead Quantity/Wire Size:	3 @ 18 AWG
Synchronous Speed @ Frequency:	1800 RPM @ 60 HZ	Motor Lead Exit:	Ko Box
Voltage @ Frequency:	200.0 V @ 60 HZ	Motor Lead Termination:	Flying Leads
XP Class and Group:	None	Motor Type:	3522M
XP Division:	Not Applicable	Mounting Arrangement:	F1
Agency Approvals:	CSA	Power Factor:	73
	CSA EEV	Product Family:	General Purpose
	UR	Pulley End Bearing Type:	Ball
Auxillary Box:	No Auxillary Box	Pulley Face Code:	Standard
Auxillary Box Lead Termination:	None	Pulley Shaft Indicator:	Standard
Base Indicator:	Rigid	Rodent Screen:	None
Bearing Grease Type:	Polyrex EM (-20F +300F)	Shaft Extension Location:	Pulley End
Blower:	None	Shaft Ground Indicator:	Shaft Grounding
Current @ Voltage:	5.100 A @ 200.0 V	Shaft Rotation:	Reversible

<b>Design Code:</b>	B	<b>Shaft Slinger Indicator:</b>	No Slinger
<b>Drip Cover:</b>	No Drip Cover	<b>Speed Code:</b>	Single Speed
<b>Duty Rating:</b>	CONT	<b>Motor Standards:</b>	NEMA
<b>Electrically Isolated Bearing:</b>	Not Electrically Isolated	<b>Starting Method:</b>	Direct on line
<b>Feedback Device:</b>	NO FEEDBACK	<b>Thermal Device - Bearing:</b>	NONE (OLD)
<b>Front Face Code:</b>	Standard	<b>Thermal Device - Winding:</b>	None
<b>Front Shaft Indicator:</b>	None	<b>Vibration Sensor Indicator:</b>	No Vibration Sensor
<b>Heater Indicator:</b>	No Heater	<b>Winding Thermal 1:</b>	None
<b>Insulation Class:</b>	H	<b>Winding Thermal 2:</b>	None

<b>Nameplate NP3553L</b>									
<b>CAT.NO.</b>	EM3154T-8G								
<b>SPEC</b>	35Z069M922G2								
<b>HP</b>	1.5								
<b>VOLTS</b>	200								
<b>AMPS</b>	5.1								
<b>RPM</b>	1755								
<b>FRAME</b>	145T			<b>HZ</b>	60			<b>PH</b>	3
<b>SF</b>	1.15		<b>CODE</b>	L		<b>DES</b>	B	<b>CLASS</b>	H
<b>NEMA NOM. EFF</b>	86.5		<b>PF</b>	73					
<b>RATING</b>	40C AMB-CONT								
<b>CC</b>	010A					<b>USABLE AT 208V</b>			
<b>ENCL</b>	OPSB		<b>SER</b>						
<b>DE</b>	6205		<b>ODE</b>	6203					
<b>VPWM INVERTER READY</b>									
<b>CT30-60(2:1) VT3-60(20:1)</b>									

Parts List		
Part Number	Description	Quantity
SA269043	SA 35Z069M922G2	1.000 EA
RA255697	RA 35Z069M922G2	1.000 EA
NS2512A01	INSULATOR, CONDUIT BOX X	1.000 EA
35CB3009	35 CB W/1.09 DIA. LEAD HOLE @ 6:	1.000 EA
51XB1016A07	10-16 X 7/16 HXWSSLD SERTYB	2.000 EA
11XW1032G06	10-32 X .38, TAPTITE II, HEX WSHR SLTD U	1.000 EA
35EP3209G00	MASTER ODE,203 BRG	1.000 EA
HW5100A03	WAVY WASHER (W1543-017)	1.000 EA
35EP3210C00	MASTER DE,205 BRG,1.000SH,LCK BRG	1.000 EA
51XN1032A18	10-32 X 1 1/8 HX WS SL SR (ESKAY)	2.000 EA
XY1032A02	10-32 HEX NUT DIRECTIONAL SERRATION	4.000 EA
35CB4521	35 LIPPED CB LID (GALV & PHOSPH)	1.000 EA
51XW0832A07	8-32 X .44, TAPTITE II, HEX WSHR SLTD SE	4.000 EA
HW2501D13	KEY, 3/16 SQ X 1.375	1.000 EA
HA7000A01	KEY RETAINER 7/8" DIA SHAFT	1.000 EA
85XU0407S04	4X1/4 U DRIVE PIN STAINLESS	2.000 EA
LB1459	AEGIS SGR LABEL "AEGISLBL-100"	1.000 EA
MJ1000A02	GREASE, POLYREX EM EXXON (USe 4824-15A)	0.050 LB
MG1000Y03	MUNSELL 2.53Y 6.70/ 4.60, GLOSS 20,	0.017 GA
HA3100A45	THRUBOLT 10-32 X 8.875	4.000 EA
35AD2005A01	BAFFLE PLATE,MOD 35-SLTD BAND MTRS GL.F.	1.000 EA
LB1119N	WARNING LABEL	1.000 EA
LC0006	CONNECTION LABEL	1.000 EA
NP3553L	ALUM SUPER-E VPWM INVERTER READY UL CSA-	1.000 EA

<b>Parts List (continued)</b>		
<b>Part Number</b>	<b>Description</b>	<b>Quantity</b>
35PA1066	PKG GRP, PRINT PK1008A06	1.000 EA
MN416A01	TAG-INSTAL-MAINT no wire (1200/bx) 5/18	1.000 EA
LB1350	BAR CODE LABEL FOR YORK	1.000 EA
PE-0000001	ZRTG PE ASSEMBLY	1.000 EA
FE-0000001	ZRTG FE ASSEMBLY	1.000 EA

**AC Induction Motor Performance Data**

Record # 48252 - Typical performance - not guaranteed values

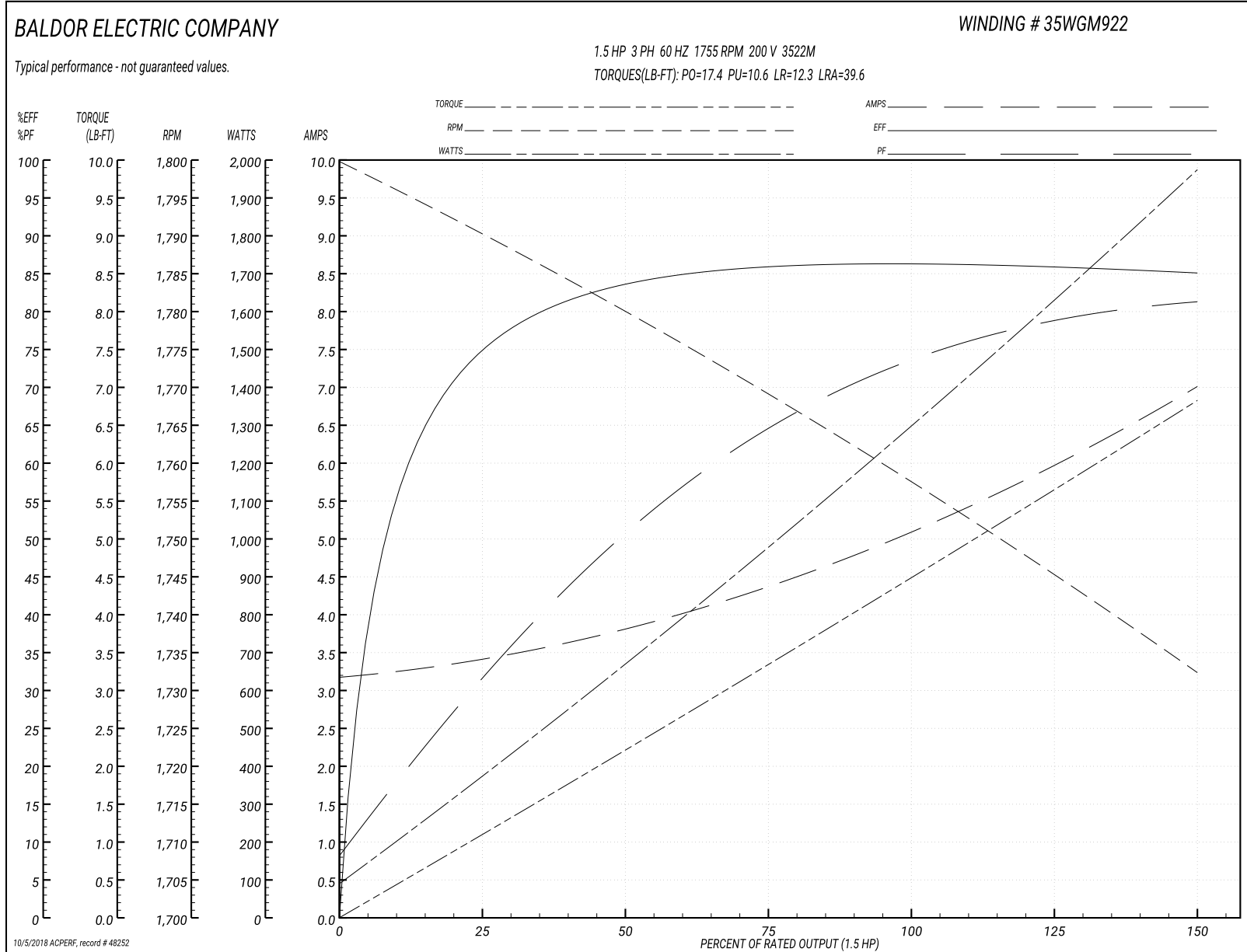
<b>Winding:</b> 35WGM922-R002	<b>Type:</b> 3522M	<b>Enclosure:</b> OPSB
-------------------------------	--------------------	------------------------

Nameplate Data				200 V, 60 Hz: Single Voltage Motor	
Rated Output (HP)	1.5			Full Load Torque	4.46 LB-FT
Volts	200			Start Configuration	direct on line
Full Load Amps	5.1			Breakdown Torque	17.4 LB-FT
R.P.M.	1755			Pull-up Torque	10.6 LB-FT
Hz	60	Phase	3	Locked-rotor Torque	12.3 LB-FT
NEMA Design Code	B	KVA Code	L	Starting Current	39.6 A
Service Factor (S.F.)	1.15			No-load Current	3.21 A
NEMA Nom. Eff.	86.5	Power Factor	73	Line-line Res. @ 25°C	2.01 Ω
Rating - Duty	40C AMB-CONT			Temp. Rise @ Rated Load	34°C
S.F. Amps	5.6			Temp. Rise @ S.F. Load	40°C
				Locked-rotor Power Factor	52.7
				Rotor inertia	0.13 LB-FT <sup>2</sup>

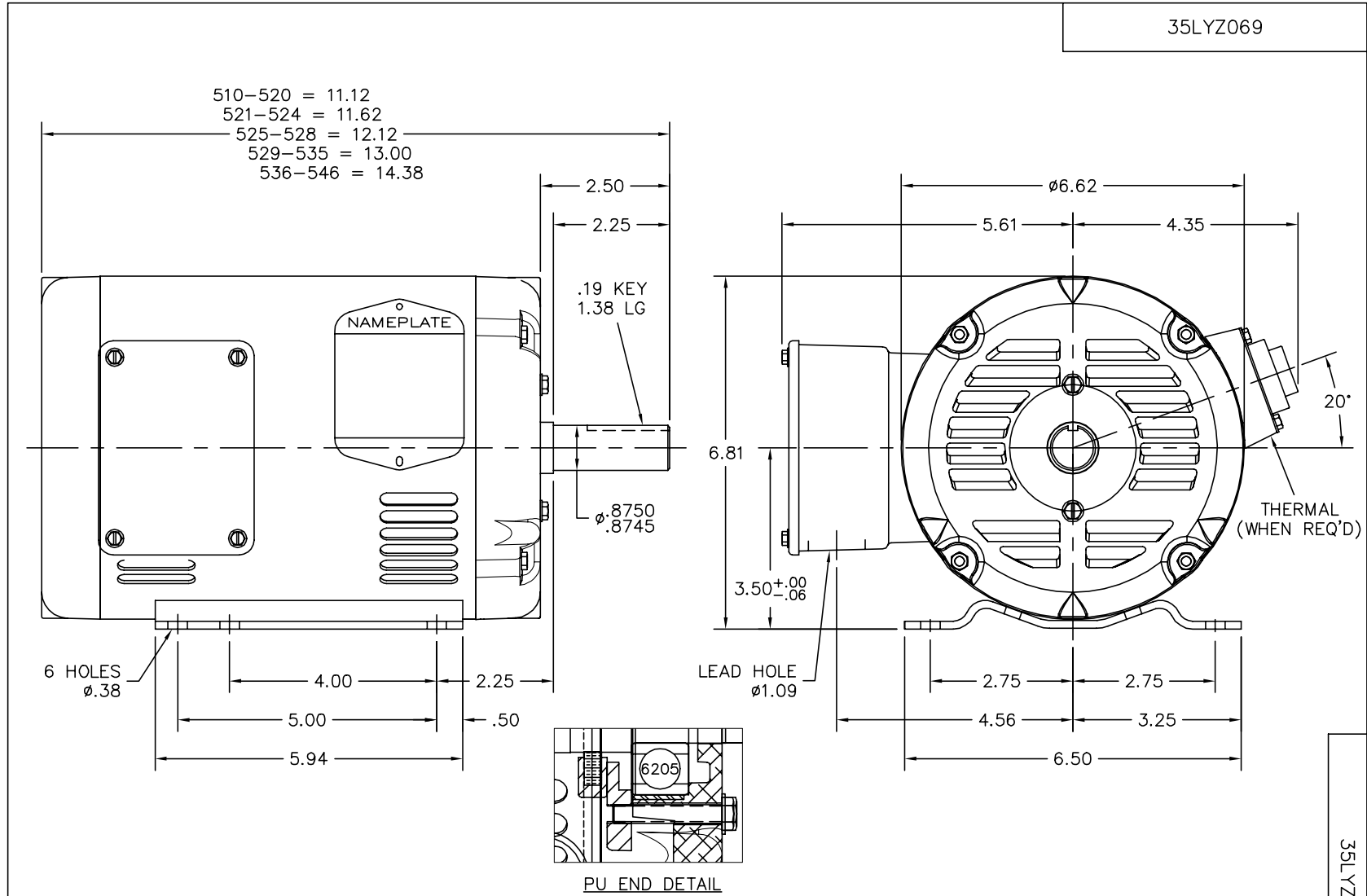
Load Characteristics 200 V, 60 Hz, 1.5 HP

% of Rated Load	25	50	75	100	125	150	S.F.
Power Factor	32	51	64	73	78	82	76
Efficiency	74.9	83.2	85.9	86.5	86.1	85	86.3
Speed	1790	1780	1769	1758	1746	1732	1751
Line amperes	3.37	3.78	4.38	5.1	5.97	6.99	5.62

Performance Graph at 200V, 60Hz, 1.5HP Typical performance - Not guaranteed values







CUSTOMER IS RESPONSIBLE FOR DETERMINING THAT BALDOR'S PRODUCT WILL PERFORM SUITABLY IN THE INTENDED APPLICATION.

REV. DESC: REPLACE ENDPLATES		
REV. LTR: E	VERSION: 05	TDR: 000001041474
FILE: \AAA\00174\501	REVISED: 01: 44: 49 09/05/2017	BY: USJOBUR22
MTL: -		

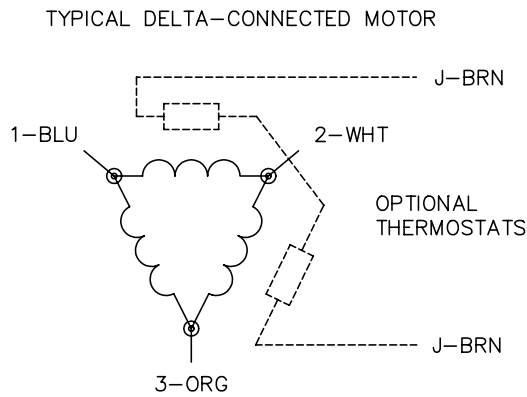
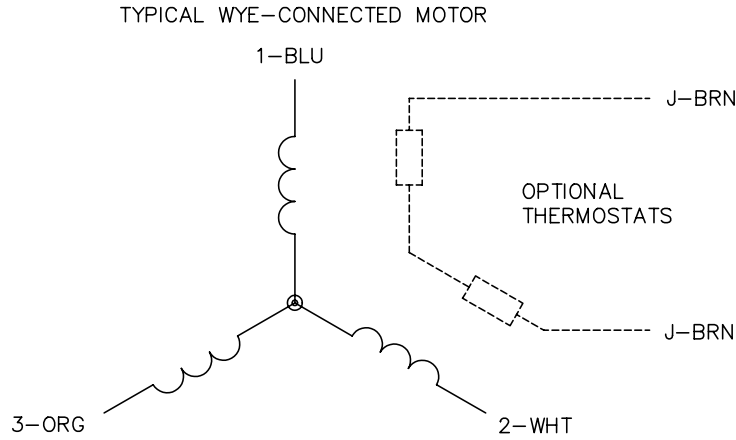
**BALDOR**

HOR 143-5T OPSB M, AEGIS INT SHAFT GND

SH 1 of 1

35LYZ069

CD0006



NOTES:

1. THREE LEAD MOTOR MAY BE EITHER WYE CONNECTED OR DELTA CONNECTED.
2. INTERCHANGE ANY TWO LINE LEADS TO REVERSE ROTATION.
3. OPTIONAL THERMOSTATS ARE PROVIDED WHEN SPECIFIED.
4. ACTUAL NUMBER OF INTERNAL PARALLEL CIRCUITS MAY VARY.
5. LEAD COLORS ARE OPTIONAL. LEADS MUST BE NUMBERED AS SHOWN.

REV. DESC: REVISE TO SHOW OPTIONAL COLORS			
REV. LTR: D	BY: JLP	REVISED: 01/21/99 4:02	TDR: 0171435
9000D		FILE: AAA00005141	MDL: -
		MTL: -	

**BALDOR ELECTRIC Co.**

3PH, SV, 3 LEADS, WYE OR DELTA CONNECTED

CD0006