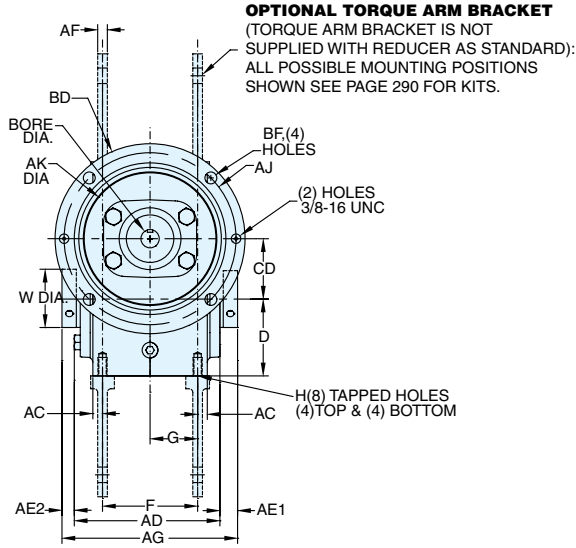
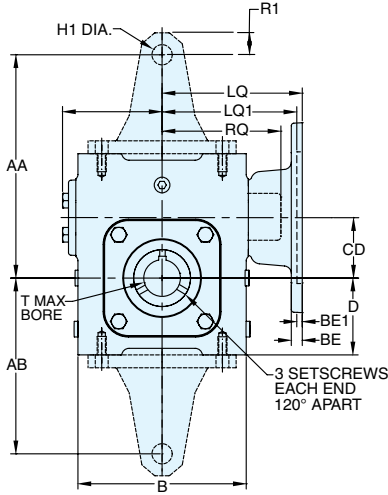


ELECTRA-GEAR

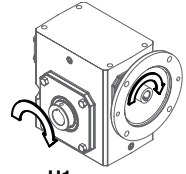
EL SERIES DIMENSIONS

STYLES: HMQ, HM, H

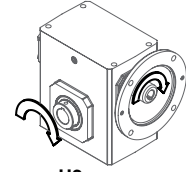
STYLE HMQ



ASSEMBLIES



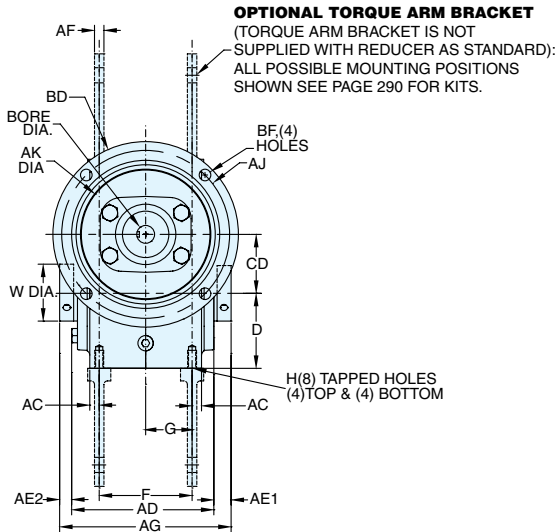
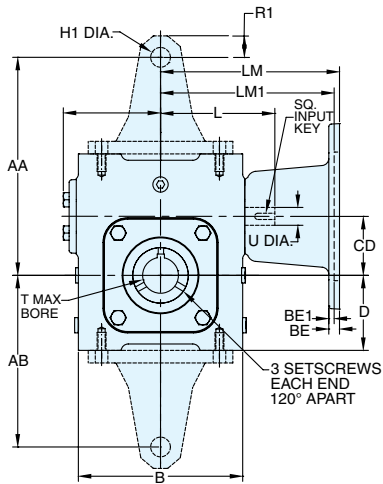
H1



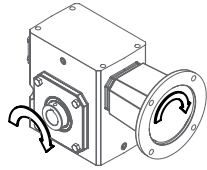
H2

H1 SUPPLIED AS STANDARD UNLESS SPECIFIED. ACCESSORY KITS CAN MOUNT TO EITHER OUTPUT SIDE OF REDUCER.

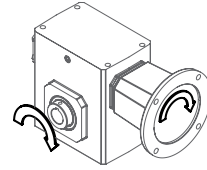
STYLE HM



ASSEMBLIES



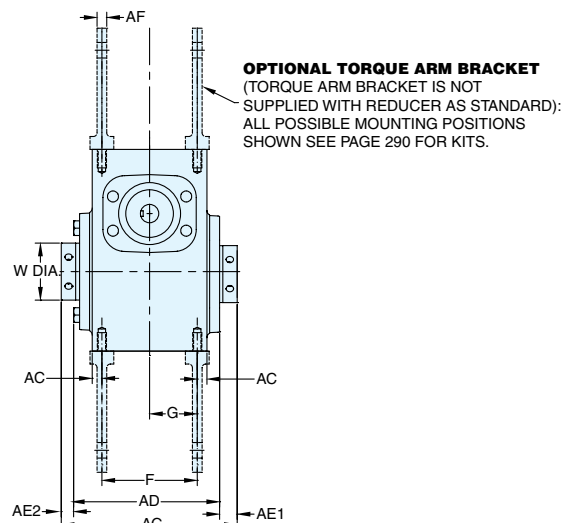
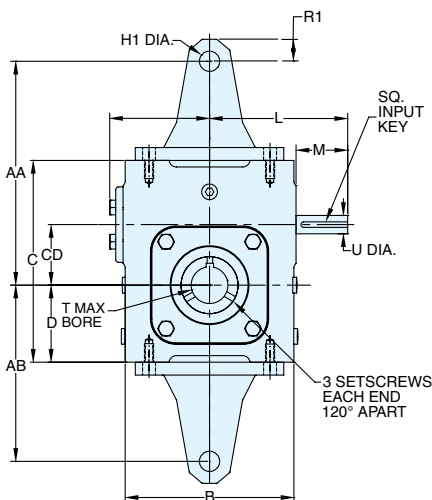
H1



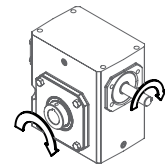
H2

H1 SUPPLIED AS STANDARD UNLESS SPECIFIED. ACCESSORY KITS CAN MOUNT TO EITHER OUTPUT SIDE OF REDUCER.

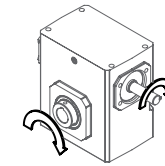
STYLE H



ASSEMBLIES



H1



H2

REVERSE ALL ARROWS FOR OPPOSITE INPUT SHAFT ROTATION. CONTACT FACTORY FOR OTHER MOUNTINGS OR ASSEMBLY POSITIONS.

H1 SUPPLIED AS STANDARD UNLESS SPECIFIED. ACCESSORY KITS CAN MOUNT TO EITHER OUTPUT SIDE OF REDUCER.

STYLE HMQ, HM, H DIMENSIONS (Inches)

| Size | AA | AB | AC | AD | AE1 | AE2 | AF | AG | B | C | CD | D | F | G | H1 | I | L | M | R1 | V | T MAX* +0.000 -0.0025 | U +0.000 -0.0015 | Input Key (Style H only)* | Input Key (Style HM only)* | Output Key |
|-------|-------|-------|------|-------|------|------|------|-------|-------|-------|------|------|------|------|------|------|-------|------|------|------|-----------------------------|------------------------|------------------------------|-------------------------------|---------------|
| EL813 | -- | -- | 0.41 | 3.89 | 0.58 | 0.26 | -- | 4.75 | 3.80 | 4.66 | 1.33 | 1.72 | 2.00 | 1.00 | -- | 2.40 | 3.82 | 1.87 | - | 1.00 | 0.625 | 0.500 | 1/8 x 1.00 | -- | 3/16 x 1.50 |
| EL818 | 6.25 | 5.00 | 0.28 | 4.72 | 0.49 | 0.29 | 0.69 | 5.50 | 4.83 | 5.86 | 1.75 | 2.31 | 2.95 | 1.48 | 0.53 | 3.03 | 4.35 | 1.78 | 0.66 | 1.44 | 1.000 | 0.625 | 3/16 x 1.38 | 3/16 x .500 | 1/4 x 3.00 |
| EL821 | 7.63 | 6.00 | 0.33 | 4.98 | 0.60 | 0.42 | 0.69 | 6.00 | 5.75 | 6.88 | 2.06 | 2.63 | 3.25 | 1.63 | 0.53 | 3.40 | 4.71 | 1.76 | 0.75 | 1.94 | 1.500* | 0.625 | 3/16 X 1.38 | 3/16 x .500 | 3/8 x 3.00 |
| EL824 | 7.81 | 5.87 | 0.59 | 5.17 | 1.02 | 0.81 | 0.69 | 6.00 | 5.86 | 6.94 | 2.38 | 2.50 | 2.88 | 1.44 | 0.53 | 3.61 | 5.51 | 2.45 | 0.75 | 1.94 | 1.500* | 0.750 | 3/16 X 1.63 | 3/16 x .500 | 3/8 x 3.00 |
| EL826 | 8.50 | 7.00 | 0.73 | 6.00 | 0.60 | 0.40 | 0.69 | 7.00 | 7.17 | 8.00 | 2.63 | 3.25 | 3.37 | 1.69 | 0.53 | 4.17 | 6.07 | 2.45 | 0.75 | 1.94 | 1.500* | 0.750 | 3/16 x 1.63 | 3/16 x .500 | 3/8 x 3.00 |
| EL830 | 9.94 | 8.00 | 0.56 | 6.52 | 0.60 | 0.38 | 0.69 | 7.50 | 8.11 | 8.94 | 3.00 | 3.50 | 4.13 | 2.07 | 0.53 | 4.81 | 6.56 | 2.31 | 0.81 | 2.75 | 2.188 | 0.875 | 3/16 x 1.63 | 3/16 x .500 | 1/2 x 3.00 |
| EL832 | 12.50 | 10.00 | 0.56 | 6.52 | 0.60 | 0.38 | 0.69 | 7.50 | 8.11 | 10.50 | 3.25 | 4.00 | 4.13 | 2.07 | 0.53 | 5.00 | 6.75 | 2.31 | 0.88 | 2.75 | 2.188 | 0.875 | 3/16 x 1.63 | 3/16 x .500 | 1/2 x 3.00 |
| EL842 | 14.69 | 12.00 | 1.19 | 7.52 | 0.63 | 0.35 | 0.69 | 8.50 | 9.63 | 11.69 | 4.25 | 4.50 | 3.75 | 1.88 | 0.53 | 6.15 | 8.72 | 3.47 | 0.88 | 2.75 | 2.188 | 1.250 | 1/4 x 2.50 | 1/4 x 2.50 | 1/2 x 3.00 |
| EL852 | 17.75 | 14.00 | 0.97 | 8.84 | 0.97 | 0.69 | 0.81 | 10.50 | 11.50 | 12.25 | 5.25 | 4.25 | 5.25 | 2.63 | 0.66 | 7.55 | 10.03 | 3.38 | 1.13 | 4.26 | 3.438 | 1.250 | 1/4 X 3.00 | 1/4 x 3.00 | 7/8 x 4.00 |
| EL860 | 20.25 | 16.00 | 0.81 | 11.00 | 0.81 | 0.81 | 0.81 | 10.38 | 13.50 | 14.25 | 6.00 | 5.00 | 5.38 | 2.69 | 0.66 | 7.88 | 10.99 | 3.00 | 1.13 | 3.74 | 3.438 | 1.500 | 3/8 x 3.00 | 3/8 x 2.75 | 7/8 x 4.00 |

MOTOR MOUNTING DIMENSIONS

NEMA DIMENSIONS (Inches)

| Size | LM 56C/140TC | LM1 180TC / 210TC | L1 56C/140TC / 180TC / 210TC | | LQ 56C/140TC | LQ1 180TC / 210TC | RQ 56C/140TC / 180TC / 210TC | |
|-------|-----------------|----------------------|---------------------------------|-------|-----------------|----------------------|---------------------------------|------|
| EL813 | 6.07 | -- | 3.82 | -- | 3.79 | -- | 3.09 | -- |
| EL818 | 5.89 | -- | 3.64 | -- | 4.42 | -- | 3.59 | -- |
| EL821 | 6.26 | -- | 4.00 | -- | 4.79 | -- | 4.06 | -- |
| EL824 | 6.48 | 7.30 | 4.29 | 4.29 | 4.77 | 4.77 | 4.09 | 4.09 |
| EL826 | 7.04 | 7.86 | 4.88 | 4.88 | 5.33 | 5.33 | 4.82 | 4.82 |
| EL830 | 7.67 | 8.31 | 5.38 | 5.38 | 5.97 | 5.97 | 5.32 | 5.32 |
| EL832 | 7.86 | 8.50 | 5.56 | 5.56 | 6.16 | 6.16 | 5.51 | 5.51 |
| EL842 | 11.25 | 12.53 | 9.57 | 9.57 | 6.45 | 6.45 | 6.04 | 6.04 |
| EL852 | 12.65 | 13.93 | 10.88 | 10.88 | 7.85 | 7.85 | 7.35 | 7.35 |
| EL860 | -- | 11.94 | 10.99 | 10.99 | -- | -- | -- | -- |

NEMA DIMENSIONS (Inches)

| Frame | AJ | AK | BD | BE | BE1 | Bore Dia. | Keyway | BF |
|-------|------|------|------|------|------|--------------|-------------|------|
| 56C | 5.88 | 4.50 | 6.50 | 0.38 | N/A | .625 | 3/16 X 3/32 | 0.41 |
| 140TC | 5.88 | 4.50 | 6.50 | 0.38 | N/A | .875 | 3/16 X 3/32 | 0.41 |
| 180TC | 7.25 | 8.50 | 9.00 | N/A | 0.50 | 1.125 | 1/4 X 1/8 | 0.53 |
| 210TC | 7.25 | 8.50 | 9.00 | N/A | 0.50 | 1.375 | 5/16 X 5/32 | 0.53 |

- Max bore dimensions shown. For additional bores available, refer to page 128.
- ◆ Keyway width by depth
- * Solid input shaft and C-faced coupling input reducers have different input shaft length and key.

Note: Torque arm bracket available separately. Refer to page 290 for kits. If a special bracket is required, refer to Style BMQ dimensions for mounting pad dimensions on top/bottom of reducer.

WARNING For safety, purchaser or user should provide protective guards over shaft extensions and any couplings, sheaves and belts, sprockets and chains, etc., mounted thereon.

INTEGRAL GEARMOTOR INPUTS AVAILABLE

— Contact Factory for price and availability.

EL SERIES MOUNTING DIMENSIONS

- EL Series mounting dimensions are the same as the original ELECTRA-GEAR product with an option to match the industry standard dimensions of GR Series.
- See page 52 for GR Series dimensions.

ELECTRA-GEAR INTERCHANGE GUIDE

| Original Style | New Style |
|----------------|--------------|
| MHSC | HMQ |
| MHC | HM |
| MH | H |
| MH + "KV" Kit | H + "KV" Kit |

Convert Style H to motorized coupling input using kits shown on page 290.

All dimensions shown are for reference only. Contact Factory for certified dimensions.