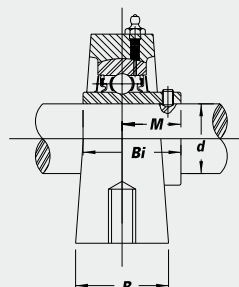
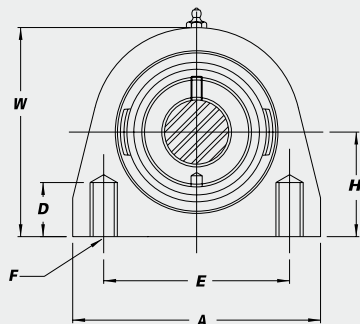


Thermoplastic Tapped Base Pillow Blocks



With optional bearing inserts:
Stainless Steel-SUCTPA
Hard Chrome Coated-CUCTPA
Black Oxide-BUCTPA

- End Caps Available
- Overview of corrosion resistant products – pg. 52



B-type Seal

CORROSION RESISTANT

Unit No.	Shaft Dia.		Dimensions (in.) (mm)								Bearing No.	Housing No.	Weight (lbs.)
	d	d	H	A	E	B	W	F-Tapped Holes	D-Min Tap Depth	M			

SUCTPA with Stainless Steel Bearing Inserts

SUCTPA 201-8	1/2											SUC 201-8		
202-10	5/8		1 ⁵ / ₁₆	2 ⁷ / ₈	2	1 ³ / ₈	2 ¹⁹ / ₃₂	3/8"-16	1/2	0.7205	1.2205	202-10	TPA 204	.6
204-12	3/4		33.3	73	50.8	35	66	UNC	13	18.3	31.0	204-12		
204		20										204		
SUCTPA 205-14	7/8											SUC 205-14		
205		25	1 ⁷ / ₁₆	3	2	1 ⁹ / ₁₆	2 ²⁹ / ₃₂	3/8"-16	1/2	0.7756	1.3386	205	TPA 205	.8
205-16	1		36.5	76	50.8	40	74	UNC	13	19.7	34.0	205-16		
SUCTPA 206-18	1 ¹ / ₈											SUC 206-18		
206		30	1 ¹¹ / ₁₆	4	3	1 ¹¹ / ₁₆	3 ⁵ / ₁₆	7/16"-14	1/2	0.8740	1.5000	206	TPA 206	1.2
206-19	1 ³ / ₁₆		42.9	102	76.2	43	84	UNC	13	22.2	38.1	206-19		
206-20	1 ¹ / ₄ S											206-20		
SUCTPA 207-20	1 ¹ / ₄											SUC 207-20		
207-21	1 ⁵ / ₁₆											207-21	TPA 207	1.7
207-22	1 ³ / ₈		1 ⁷ / ₈	4 ⁵ / ₁₆	3 ¹ / ₄	1 ⁷ / ₈	3 ³ / ₄	1/2"-13	4 ¹ / ₆₄	1.0000	1.6890	207-22		
207		35	47.6	110	82.6	48	95	UNC	16	25.4	42.9	207		
207-23	1 ⁷ / ₁₆											207-23		
SUCTPA 208-24	1 ¹ / ₂											SUC 208-24		
208		40	1 ¹⁵ / ₁₆	4 ³ / ₄	3 ¹ / ₂	1 ⁷ / ₈	4	1/2"-13	4 ¹ / ₆₄	1.1890	1.9370	208	TPA 208	2.1

CUCTPA with Hard Chrome Coated Bearing Inserts

CUCTPA 204-12	3/4											CUC 204-12		
204		20	1 ⁵ / ₁₆	2 ⁷ / ₈	2	1 ³ / ₈	2 ¹⁹ / ₃₂	3/8"-16	1/2	0.7205	1.2205	204	TPA 204	.6
CUCTPA 205-14	7/8											CUC 205-14		
205		25	1 ⁷ / ₁₆	3	2	1 ⁹ / ₁₆	2 ²⁹ / ₃₂	3/8"-16	1/2	0.7756	1.3386	205	TPA 205	.8
205-16	1		36.5	76	50.8	40	74	UNC	13	19.7	34.0	205-16		
CUCTPA 206-18	1 ¹ / ₈											CUC 206-18		
206		30	1 ¹¹ / ₁₆	4	3	1 ¹¹ / ₁₆	3 ⁵ / ₁₆	7/16"-14	1/2	0.8740	1.5000	206	TPA 206	1.2
206-19	1 ³ / ₁₆		42.9	102	76.2	43	84	UNC	13	22.2	38.1	206-19		
206-20	1 ¹ / ₄ S											206-20		
CUCTPA 207-20	1 ¹ / ₄											CUC 207-20		
207-22	1 ³ / ₈		1 ⁷ / ₈	4 ⁵ / ₁₆	3 ¹ / ₄	1 ⁷ / ₈	3 ³ / ₄	1/2"-13	4 ¹ / ₆₄	1.0000	1.6890	207-22	TPA 207	1.7
207		35	47.6	110	82.6	48	95	UNC	16	25.4	49.2	207		
207-23	1 ⁷ / ₁₆											207-23		
CUCTPA 208-24	1 ¹ / ₂											CUC 208-24		
208		40	1 ¹⁵ / ₁₆	4 ³ / ₄	3 ¹ / ₂	1 ⁷ / ₈	4	1/2"-13	4 ¹ / ₆₄	1.1890	1.9370	208	TPA 208	2.1

BUCTPA with Black Oxide Bearing Inserts

BUCTPA 201-8	1/2											BUC 201-8		
202-10	5/8		1 ⁵ / ₁₆	2 ⁷ / ₈	2	1 ³ / ₈	2 ¹⁹ / ₃₂	3/8"-16	1/2	0.7205	1.2205	202-10	TPA 204	.6
204-12	3/4		33.3	73	50.8	35	66	UNC	13	18.3	31.0	204-12		
204		20										204		
BUCTPA 205-14	7/8											BUC 205-14		
205		25	1 ⁷ / ₁₆	3	2	1 ⁹ / ₁₆	2 ²⁹ / ₃₂	3/8"-16	1/2	0.7756	1.3386	205	TPA 205	.8
205-16	1		36.5	76	50.8	40	74	UNC	13	19.7	34.0	205-16		
BUCTPA 206-18	1 ¹ / ₈											BUC 206-18		
206		30	1 ¹¹ / ₁₆	4	3	1 ¹¹ / ₁₆	3 ⁵ / ₁₆	7/16"-14	1/2	0.8740	1.5000	206	TPA 206	1.2
206-19	1 ³ / ₁₆		42.9	102	76.2	43	84	UNC	13	22.2	38.1	206-19		
206-20	1 ¹ / ₄ S											206-20		
BUCTPA 207-20	1 ¹ / ₄											BUC 207-20		
207-22	1 ³ / ₈		1 ⁷ / ₈	4 ⁵ / ₁₆	3 ¹ / ₄	1 ⁷ / ₈	3 ³ / ₄	1/2"-13	4 ¹ / ₆₄	1.0000	1.6890	207-22	TPA 207	1.7
207		35	47.6	110	82.6	48	95	UNC	16	25.4	42.9	207		
207-23	1 ⁷ / ₁₆											207-23		
BUCTPA 208-24	1 ¹ / ₂											BUC 208-24		
208		40	1 ¹⁵ / ₁₆	4 ³ / ₄	3 ¹ / ₂	1 ⁷ / ₈	4	1/2"-13	4 ¹ / ₆₄	1.1890	1.9370	208	TPA 208	2.1