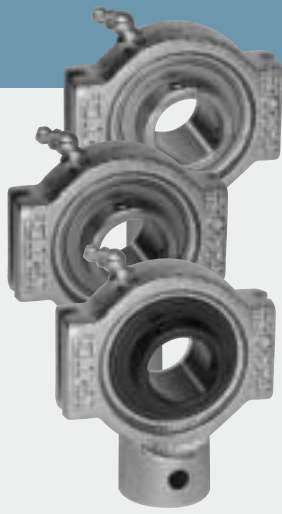
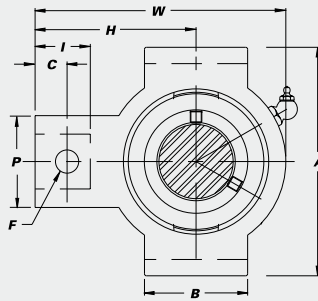
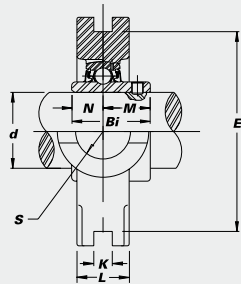


# Nickel Plated Take Up Units



Narrow Slot with optional bearing inserts:  
 Stainless Steel-SUCNPTRS  
 Hard Chrome Coated-CUCNPTRS  
 Black Oxide-BUCNPTRS



- B-type Seals
- Overview of corrosion resistant products – pg. 52



B-type Seal

CORROSION RESISTANT

Unit No.	Shaft Dia.		Dimensions (in.) (mm)														Bearing No.	Housing Weight No.	(lbs.)
	d	(in.) (mm)	I	C	P	S	B	k	E	A	W	L	F	H	Bi	N			

## SUCNPTRS with Stainless Steel Bearing Inserts

SUCNPTRS 201-8	1/2																		SUC 201-8		
202-10	5/8		7/8	7/16	13/8	3/4	1 1/2	1/4	2 5/8	3 1/8	3 1/2	3/4	5/16	2 3/16	1.2205	0.5000	0.7205		202-10		
204-12	3/4		22	11	35	19.1	38	6.4	66.7	79.4	89	19	8	56	31.0	12.7	18.3		204-12	NPTRS 204	1.7
204		20																	204		
SUCNPTRS 205-14	7/8		7/8	7/16	13/8	3/4	1 1/2	1/4	2 5/8	3 1/8	3 3/16	7/8	5/16	2 3/16	1.3386	0.5630	0.7756		SUC 205-14		
205		25	22	11	35	19.1	38	6.4	66.7	79.4	91	22	8	56	34.0	14.3	19.7		205	NPTRS 205	1.9
205-16	1																		205-16		
SUCNPTRS 206-18	1 1/8		1 5/16	1/2	1 3/8	7/8	2 1/2	5/16	3 1/2	4 1/8	4 5/16	1 5/16	5/16	2 11/16	1.5000	0.6260	0.8740		SUC 206-18		
206		30	24	13	35	22.2	64	7.9	88.9	105	110	24	8	68	38.1	15.9	22.2		206	NPTRS 206	2.9
206-19	1 3/16																		206-19		
206-20	1 1/4 S																		206-20		
SUCNPTRS 207-20	1 1/4		1 5/16	1/2	1 3/8	7/8	2 1/2	5/16	3 1/2	4 1/8	4 1/2	1	5/16	2 11/16	1.6890	0.6890	1.0000		SUC 207-20		
207-21	1 3/8		24	13	35	22.2	64	7.9	88.9	105	114	25	8	68	42.9	17.5	25.4		207-21	NPTRS 207	3.5
207-22	1 3/8																		207-22		
207		35																	207		
207-23	1 7/16																		207-23		
SUCNPTRS 208-24	1 1/2		1 5/32	2 1/32	1 5/8	1 1/8	3	5/16	4	4 3/4	5 3/8	1 3/16	3/8	3 1/4	1.9370	0.7480	1.1890		SUC 208-24		
208		40	29	17	41	28.6	76	7.9	101.6	121	137	30	9.5	83	49.2	19.0	30.2		208	NPTRS 208	5.5

## CUCNPTRS with Hard Chrome Coated Bearing Inserts

CUCNPTRS 204-12	3/4		7/8	7/16	13/8	3/4	1 1/2	1/4	2 5/8	3 1/8	3 1/2	3/4	5/16	2 3/16	1.2205	0.5000	0.7205		CUC 204-12		
204		20	22	11	35	19.1	38	6.4	66.7	79.4	89	19	8	56	31.0	12.7	18.3		204-8	NPTRS 204	1.7
CUCNPTRS 205-14	7/8		7/8	7/16	13/8	3/4	1 1/2	1/4	2 5/8	3 1/8	3 3/16	7/8	5/16	2 3/16	1.3386	0.5630	0.7756		CUC 205-14		
205		25	22	11	35	19.1	38	6.4	66.7	79.4	91	22	8	56	34.0	14.3	19.7		205	NPTRS 205	1.9
205-16	1																		205-16		
CUCNPTRS 206-18	1 1/8		1 5/16	1/2	1 3/8	7/8	2 1/2	5/16	3 1/2	4 1/8	4 5/16	1 5/16	5/16	2 11/16	1.5000	0.6260	0.8740		CUC 206-18		
206		30	24	13	35	22.2	64	7.9	88.9	105	110	24	8	68	38.1	15.9	22.2		206	NPTRS 206	2.9
206-19	1 3/16																		206-19		
206-20	1 1/4 S																		206-20		
CUCNPTRS 207-20	1 1/4		1 5/16	1/2	1 3/8	7/8	2 1/2	5/16	3 1/2	4 1/8	4 1/2	1	5/16	2 11/16	1.6890	0.6890	1.0000		CUC 207-20		
207-22	1 3/8		24	13	35	22.2	64	7.9	88.9	105	114	25	8	68	42.9	17.5	25.4		207-22	NPTRS 207	3.5
207		35																	207		
207-23	1 7/16																		207-23		
CUCNPTRS 208-24	1 1/2		1 5/32	2 1/32	1 5/8	1 1/8	3	5/16	4	4 3/4	5 3/8	1 3/16	3/8	3 1/4	1.9370	0.7480	1.1890		CUC 208-24		
208		40	29	17	41	28.6	76	7.9	101.6	121	137	30	9.5	83	49.2	19.0	30.2		208	NPTRS 208	5.5

## BUCNPTRS with Black Oxide Bearing Inserts

BUCNPTRS 201-8	1/2		7/8	7/16	13/8	3/4	1 1/2	1/4	2 5/8	3 1/8	3 1/2	3/4	5/16	2 3/16	1.2205	0.5000	0.7205		BUC 201-8		
202-10	5/8		22	11	35	19.1	38	6.4	66.7	79.4	89	19	8	56	31.0	12.7	18.3		202-10		
204-12	3/4																		204-12	NPTRS 204	1.7
204		20																	204		
BUCNPTRS 205-14	7/8		7/8	7/16	13/8	3/4	1 1/2	1/4	2 5/8	3 1/8	3 3/16	7/8	5/16	2 3/16	1.3386	0.5630	0.7756		BUC 205-14		
205		25	22	11	35	19.1	38	6.4	66.7	79.4	91	22	8	56	34.0	14.3	19.7		205	NPTRS 205	1.9
205-16	1																		205-16		
BUCNPTRS 206-18	1 1/8		1 5/16	1/2	1 3/8	7/8	2 1/2	5/16	3 1/2	4 1/8	4 5/16	1 5/16	5/16	2 11/16	1.5000	0.6260	0.8740		BUC 206-18		
206		30	24	13	35	22.2	64	7.9	88.9	105	110	24	8	68	38.1	15.9	22.2		206	NPTRS 206	2.9
206-19	1 3/16																		206-19		
206-20	1 1/4 S																		206-20		
BUCNPTRS 207-20	1 1/4		1 5/16	1/2	1 3/8	7/8	2 1/2	5/16	3 1/2	4 1/8	4 1/2	1	5/16	2 11/16	1.6890	0.6890	1.0000		BUC 207-20		
207-22	1 3/8		24	13	35	22.2	64	7.9	88.9	105	114	25	8	68	42.9	17.5	25.4		207-22	NPTRS 207	3.5
207		35																	207		
207-23	1 7/16																		207-23		
BUCNPTRS 208-24	1 1/2		1 5/32	2 1/32	1 5/8	1 1/8	3	5/16	4	4 3/4	5 3/8	1 3/16	3/8	3 1/4	1.9370	0.7480	1.1890		BUC 208-24		
208		40	29	17	41	28.6	76	7.9	101.6	121	137	30	9.5	83	49.2	19.0	30.2		208	NPTRS 208	5.5