

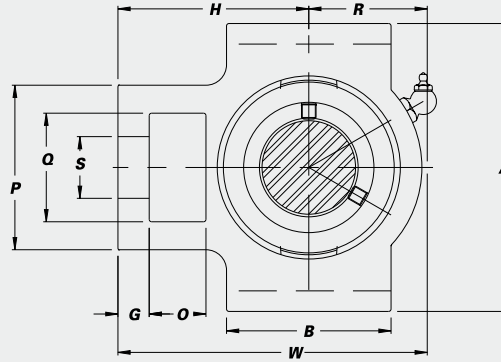
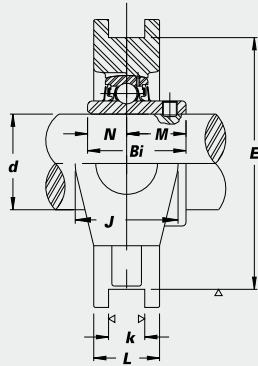
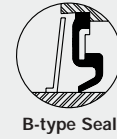
Nickel Plated Take Up Units



Wide slot with optional bearing inserts:
Stainless Steel-SUCNPT
Hard Chrome Coated-CUCNPT

• B-type Seals

• Overview of corrosion resistant products – pg. 52



CORROSION RESISTANT

Unit No.	Shaft Dia.		Dimensions (in.) (mm)														Bearing No.	Housing No.	Weight (lbs.)
	d	d	O	G	P	Q	S	B	k	E	A	W	J	L	R	H			

SUCNPT with Stainless Steel Bearing Inserts

SUCNPT 201-8 202-10 204-12 204	1/2 5/8 3/4	20	5/8	13/32	2	1 1/4	3/4	2	1 1/32	3	3 1/2	3 11/16	1 1/4	1 3/16	1 5/16	2 13/32	1.2205	0.5000	0.7205	SUC 201-8 202-10 204-12 204	NPT 204	1.7
SUCNPT 205-14 205 205-16	7/8 1	25	5/8	13/32	2	1 1/4	3/4	2	1 1/32	3	3 1/2	3 13/16	1 1/4	1 5/16	1 3/8	2 1/16	1.3386	0.5630	0.7756	SUC 205-14 205 205-16	NPT 205	1.9
SUCNPT 206-18 206 206-19 206-20	1 1/8 1 3/16 1 1/4S	30	5/8	13/32	2 1/32	1 5/32	55/64	2 1/4	1 1/32	3 1/2	4 1/32	4 7/16	1 5/32	1 3/32	1 11/16	2 3/4	1.5000	0.6260	0.8740	SUC 206-18 206 206-19 206-20	NPT 206	2.9
SUCNPT 207-20 207-21 207-22 207 207-23	1 1/4 1 5/16 1 3/8 1 7/16	35	5/8	1/2	2 17/32	1 5/32	55/64	2 17/32	1 1/32	3 1/2	4 1/32	5 3/32	1 5/32	1 3/16	2	3 1/16	1.6890	0.6890	1.0000	SUC 207-20 207-21 207-22 207 207-23	NPT 207	3.5
SUCNPT 208-24 208	1 1/2	40	3/4	5/8	3 3/32	1 5/16	1 9/64	3 3/32	1 1/16	4	4 1/2	5 21/32	1 5/16	1 5/16	2 1/32	3 5/32	1.9370	0.7480	1.1890	SUC 208-24 208	NPT 208	5.5
SUCNPT 209-27 209-28 209	1 11/16 1 3/4	45	3/4	5/8	3 3/32	1 5/16	1 9/64	3 3/32	1 1/16	4	4 19/32	5 21/32	1 5/16	1 3/8	2 1/4	3 1/16	1.9370	0.7480	1.1890	SUC 209-27 209-28 209	NPT 209	5.5
SUCNPT 210-31 210 210-32	1 5/16 2S	50	3/4	5/8	3 3/32	1 5/16	1 9/64	3 3/8	1 1/16	4	4 19/32	5 7/8	1 5/16	1 5/32	2 5/16	3 17/32	2.0315	0.7480	1.2835	SUC 210-31 210 210-32	NPT 210	5.7
SUCNPT 211-32 211-35	2 2 3/16	25	1	3/4	4 1/32	2 17/32	1 3/8	3 3/4	1 1/16	5 1/8	5 3/4	6 23/32	2 17/32	1 1/2	2 9/16	4 3/16	2.1890	0.8740	1.3150	SUC 211-32 211-35	NPT 211	8.8
SUCNPT 212-39	2 1/16	32	1 1/4	3/4	4 1/32	2 17/32	1 3/8	4 1/32	1 1/16	5 1/8	5 3/4	7 5/8	2 17/32	1 21/32	2 15/16	4 11/16	2.5630	1.0000	1.5630	SUC 212-39	NPT 212	10.6

CUCNPT with Hard Chrome Coated Bearing Inserts

CUCNPT 204-12 204	3/4	20	5/8	13/32	2	1 1/4	3/4	2	1 1/32	3	3 1/2	3 11/16	1 1/4	1 3/16	1 5/16	2 13/32	1.2205	0.5000	0.7205	CUC 204-12 204	NPT 204	1.7
CUCNPT 205-14 205 205-16	7/8 1	25	5/8	13/32	2	1 1/4	3/4	2	1 1/32	3	3 1/2	3 13/16	1 1/4	1 5/16	1 3/8	2 1/16	1.3386	0.5630	0.7756	CUC 205-14 205 205-16	NPT 205	1.9
CUCNPT 206-18 206 206-19 206-20	1 1/8 1 3/16 1 1/4S	30	5/8	13/32	2 1/32	1 5/32	55/64	2 1/4	1 1/32	3 1/2	4 1/32	4 7/16	1 5/32	1 3/32	1 11/16	2 3/4	1.5000	0.6260	0.8740	CUC 206-18 206 206-19 206-20	NPT 206	2.9
CUCNPT 207-20 207-22 207 207-23	1 1/4 1 5/16 1 3/8 1 7/16	35	5/8	1/2	2 17/32	1 5/32	55/64	2 17/32	1 1/32	3 1/2	4 1/32	5 3/32	1 5/32	1 3/16	2	3 1/16	1.6890	0.6890	1.0000	CUC 207-20 207-22 207 207-23	NPT 207	3.5
CUCNPT 208-24 208	1 1/2	40	3/4	5/8	3 3/32	1 5/16	1 9/64	3 3/32	1 1/16	4	4 1/2	5 21/32	1 5/16	1 5/16	2 1/32	3 5/32	1.9370	0.7480	1.1890	CUC 208-24 208	NPT 208	5.5