

Nickel Plated Hanger Units



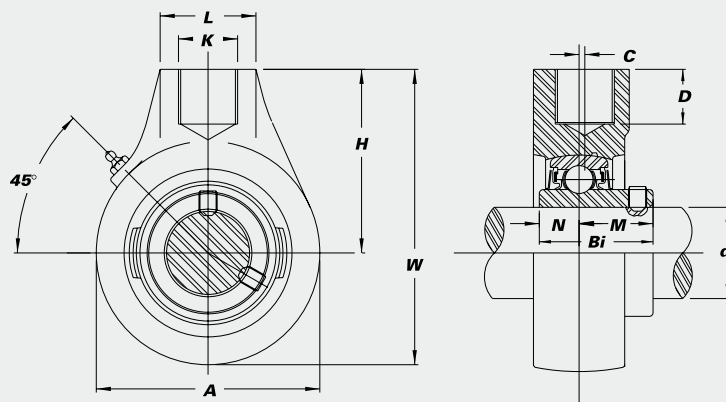
With optional bearing inserts:
Stainless Steel-SUCNPHA
Hard Chrome Coated-CUCNPHA

• B-type Seals

• Overview of corrosion resistant products – pg. 52



B-type Seal



CORROSION RESISTANT

Unit No.	Shaft Dia.		Dimensions (in.) (mm)									Bearing No.	Housing No.	Weight (lbs.)
	d	(in.) (mm)	A	W	C	H	L	D	K	Bi	N			

SUCNPHA with Stainless Steel Bearing Inserts

SUCNPHA 201-8	1/2												SUC 201-8		
202-10	5/8	2 ^{33/64}	3 ^{25/32}	0	2 ^{33/64}	1 ^{9/16}	3/4	PF 3/4	1.2205	0.5000	0.7205	SUC 202-10			
204-12	3/4	64	96		64	40	19.1	-14	31.0	12.7	18.3	SUC 204-12	NPHA 204	1.7	
204	20											204			
SUCNPHA 205-14	7/8												SUC 205-14		
205	25	3 ^{1/16}	4 ^{1/16}	0	2 ^{33/64}	1 ^{9/16}	3/4	PF 3/4	1.3386	0.5630	0.7756	SUC 205-14			
205-16	1	78	103		64	40	19.1	-14	34.0	14.3	19.7	SUC 205-16	NPHA 205	1.9	
SUCNPHA 206-18	1 1/8												SUC 206-18		
206	30	3 ^{5/32}	4 ^{3/32}	0	2 ^{33/64}	1 ^{9/16}	3/4	PF 3/4	1.5000	0.6260	0.8740	SUC 206-18			
206-19	1 3/16	80	104		64	40	19.1	-14	38.1	15.9	22.2	SUC 206-19	NPHA 206	1.9	
206-20	1 1/4 S											206-20			
SUCNPHA 207-20	1 1/4												SUC 207-20		
207-21	1 5/16												SUC 207-21		
207-22	1 3/8	3 ^{5/8}	4 ^{9/16}	0	2 ^{3/4}	1 ^{9/16}	3/4	PF 3/4	1.6890	0.6890	1.0000	SUC 207-22			
207	35	92	116		70	40	19.1	-14	42.9	17.5	25.4	SUC 207	NPHA 207	2.6	
207-23	1 7/16											207-23			
SUCNPHA 208-24	1 1/2												SUC 208-24		
208	40	3 ^{15/16}	4 ^{27/32}	5/64	2 ^{7/8}	1 ^{9/16}	3/4	PF 3/4	1.9370	0.7480	1.1890	SUC 208-24			
		100	123	2	73	40	19.1	-14	49.2	19.0	30.2	SUC 208	NPHA 208	3.4	
SUCNPHA 209-27	1 11/16												SUC 209-27		
209-28	1 3/4	4 ^{1/4}	5 ^{11/32}	13/64	3 ^{15/64}	1 ^{7/8}	13/16	PF 1	1.9370	0.7480	1.1890	SUC 209-27			
209	45	108	136	5	82	48	21	-11 1/2	49.2	19.0	30.2	SUC 209-28	NPHA 209	3.9	
												209			
SUCNPHA 210-31	1 15/16												SUC 210-31		
210	50	4 ^{21/32}	5 ^{19/32}	13/64	3 ^{17/64}	1 ^{7/8}	13/16	PF 1	2.0315	0.7480	1.2835	SUC 210-31			
210-32	2 S	118	142	5	83	48	21	-11 1/2	51.6	19.0	32.6	SUC 210	NPHA 210	4.6	
												210-32			
SUCNPHA 212-39	2 7/16												SUC 212-39		
		5 ^{19/32}	6 ^{13/16}	23/64	4 ^{1/64}	2 ^{3/8}	1 ^{3/32}	PF 1 1/4	2.5630	1.0000	1.5630	SUC 212-39			
		142	173	9	102	60	28	-11 1/2	65.1	25.4	39.7	SUC 212	NPHA 212	8.2	

CUCNPHA with Hard Chrome Coated Bearing Inserts

CUCNPHA 204-12	3/4												CUC 204-12		
204	20	2 ^{33/64}	3 ^{25/32}	0	2 ^{33/64}	1 ^{9/16}	3/4	PF 3/4	1.2205	0.5000	0.7205	CUC 204-12			
		64	96		64	40	19.1	-14	31.0	12.7	18.3	CUC 204	NPHA 204	1.7	
SUCNPHA 205-14	7/8												CUC 205-14		
205	25	3 ^{1/16}	4 ^{1/16}	0	2 ^{33/64}	1 ^{9/16}	3/4	PF 3/4	1.3386	0.5630	0.7756	CUC 205-14			
205-16	1	78	103		64	40	19.1	-14	34.0	14.3	19.7	CUC 205-16	NPHA 205	1.9	
SUCNPHA 206-18	1 1/8												CUC 206-18		
206	30	3 ^{5/32}	4 ^{3/32}	0	2 ^{33/64}	1 ^{9/16}	3/4	PF 3/4	1.5000	0.6260	0.8740	CUC 206-18			
206-19	1 3/16	80	104		64	40	19.1	-14	38.1	15.9	22.2	CUC 206-19	NPHA 206	1.9	
206-20	1 1/4 S											206-20			
SUCNPHA 207-20	1 1/4												CUC 207-20		
207-22	1 3/8	3 ^{5/8}	4 ^{9/16}	0	2 ^{3/4}	1 ^{9/16}	3/4	PF 3/4	1.6890	0.6890	1.0000	CUC 207-22			
207	35	92	116		70	40	19.1	-14	42.9	17.5	25.4	CUC 207	NPHA 207	2.6	
207-23	1 7/16											207-23			
SUCNPHA 208-24	1 1/2												CUC 208-24		
208	40	3 ^{15/16}	4 ^{27/32}	5/64	2 ^{7/8}	1 ^{9/16}	3/4	PF 3/4	1.9370	0.7480	1.1890	CUC 208-24			
		100	123	2	73	40	19.1	-14	49.2	19.0	30.2	CUC 208	NPHA 208	3.4	