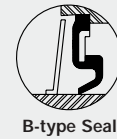


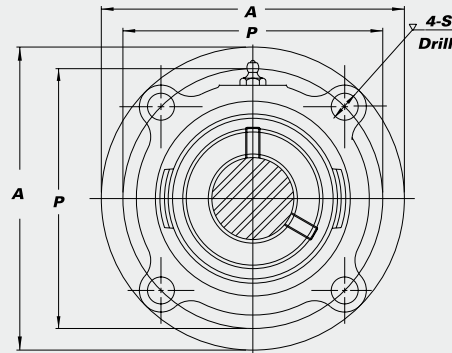
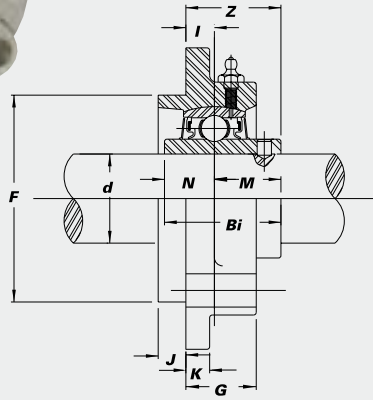
Nickel Plated Piloted Flanges



With optional bearing inserts:
Stainless Steel-SUCNPFCS
Hard Chrome Coated-CUCNPFCS

• B-type Seals

• Overview of corrosion resistant products – pg. 52



CORROSION RESISTANT

Unit No.	Shaft Dia.		Dimensions (in.) (mm)											Bolt Used (in.)	Bearing No.	Housing No.	Weight (lbs.)	
	d (in.) (mm)	A	P	S	J	K	G	F	I	Z	Bi	N	M					
SUCNPFCS 206-18 206 206-19 206-20	1 1/8 1 3/16 1 1/4S	30 111	4 3/8 92	3 5/8 9.5	3/8 6.0	15/64 9.5	15/16 24.0	3.000 76.2	25/64 10	1 1/32 32.2	1.5000 38.1	0.6260 15.9	0.8740 22.2	5/16	SUC 206-18 206 206-19 206-20	NPFC X05	2.6	
SUCNPFCS 207-20 207-21 207-22 207 207-23	1 1/4 1 5/16 1 3/8 1 7/16	35 127	4 1/8 104.8	15/32 12.0	3/8 9.5	3/8 9.5	7/8 22.5	3.375 85.7	5/16 8	1 5/16 33.4	1.6890 42.9	0.6890 17.5	1.0000 25.4	3/8	SUC 207-20 207-21 207-22 207 207-23	NPFC X06	3.3	
SUCNPFCS 208-24 208	1 1/2	40 133	5 1/4 111	4 3/8 111	15/32 12.0	7/16 11.0	7/16 11.0	1 1/32 26.0	3.625 92.1	23/64 9	1 11/32 39.2	1.9370 49.2	0.7480 19.0	1.1890 30.2	3/8	SUC 208-24 208	NPFC X07	4.2
SUCNPFCS 209-27 209-28 209	1 11/16 1 3/4	45 133	5 1/4 111	4 3/8 111	15/32 12.0	7/16 11.0	7/16 11.0	1 1/32 26.0	3.625 92.1	23/64 9	1 11/32 39.2	1.9370 49.2	0.7480 19.0	1.1890 30.2	3/8	SUC 209-27 209-28 209	NPFC X08	4.4
SUCNPFCS 210-31 210 210-32	1 15/16 2S	50 155	6 3/32 130	5 1/8 130	35/64 14.0	15/32 12.0	7/16 11.0	1 25.0	4.250 108.0	5/16 8	1 19/32 40.6	2.0315 51.6	0.7480 19.0	1.2835 32.6	7/16	SUC 210-31 210 210-32	NPFC X09	5.7
SUCNPFCS 211-32 211-35	2 2 3/16	60 162	6 3/8 136.5	5 3/8 136.5	35/64 14.0	5/8 16.0	7/16 11.0	1 25.0	4.500 114.3	9/32 7	1 19/32 40.4	2.1890 55.6	0.8740 22.2	1.3150 33.4	7/16	SUC 211-32 211-35	NPFC X10	7.0
SUCNPFCS 212-39	2 1/16	70 180	7 3/32 180	6 152.4	5/8 16.0	55/64 22.0	1/2 13.0	1 1/32 26.0	5.000 127.0	5/32 4	1 23/32 43.7	2.5630 65.1	1.0000 25.4	1.5630 39.7	1/2	SUC 212-39	NPFC X11	9.5

CUCNPFCS with Hard Chrome Coated Bearing Inserts

CUCNPFCS 206-18 206 206-19 206-20	1 1/8 1 3/16 1 1/4S	30 111	4 3/8 92	3 5/8 9.5	3/8 6.0	15/64 9.5	15/16 24.0	3.000 76.2	25/64 10	1 1/32 32.2	1.5000 38.1	0.6260 15.9	0.8740 22.2	5/16	CUC 206-18 206 206-19 206-20	NPFC X05	2.6	
CUCNPFCS 207-20 207-22 207 207-23	1 1/4 1 5/16 1 3/8 1 7/16	35 127	4 1/8 104.8	15/32 12.0	3/8 9.5	3/8 9.5	7/8 22.5	3.375 85.7	5/16 8	1 5/16 33.4	1.6890 42.9	0.6890 17.5	1.0000 25.4	3/8	CUC 207-20 207-22 207 207-23	NPFC X06	3.3	
CUCNPFCS 208-24 208	1 1/2	40 133	5 1/4 111	4 3/8 111	15/32 12.0	7/16 11.0	7/16 11.0	1 1/32 26.0	3.625 92.1	23/64 9	1 11/32 39.2	1.9370 49.2	0.7480 19.0	1.1890 30.2	3/8	CUC 208-24 208	NPFC X07	4.2

* Also available in FCF(209) style housing where P=5 1/8", F=4.250.
 See pg. 37 for other details.