

Nickel Plated 4-Bolt Flanges

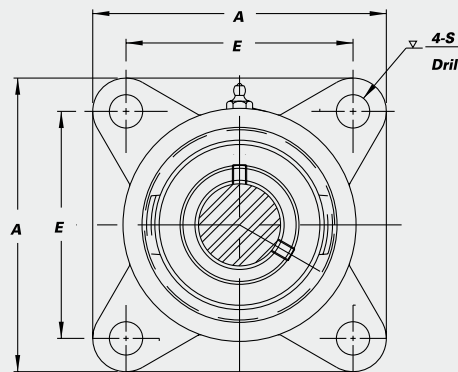
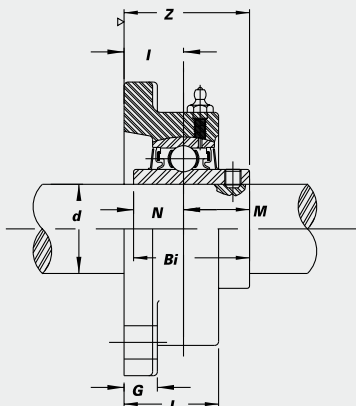


With optional bearing inserts:
Stainless Steel-SUCNPF
Hard Chrome Coated-CUCNPF



• B-type seals

• Overview of corrosion resistant products – pg. 52



CORROSION RESISTANT

Unit No.	Shaft Dia.		Dimensions (in.) (mm)									Bolt Used (in.)	Bearing No.	Housing No.	Weight (lbs.)
	d (in.)	d (mm)	A	E	I	G	L	S	Z	Bi	N				

SUCNPF with Stainless Steel Bearing Inserts

SUCNPF 201-8	1/2													SUC 201-8		
202-10	5/8	37.5	3/8	2 1/2	19/32	7/16	1	7/16	1 5/16	1.2205	0.5000	0.7205	3/8	202-10	NPF 204	1.4
204-12	3/4	76.2	3/4	64	15	11	25.4	11	33.3	31.0	12.7	18.3		204-12		
204		20												204		
SUCNPF 205-14	7/8	44.5	3/4	2 3/4	5/8	1/2	1 1/16	29/64	1 13/32	1.3386	0.5630	0.7756	3/8	SUC 205-14	NPF 205	1.9
205		25	95	70	16	13	27	11.5	35.7	34.0	14.3	19.7		205		
205-16	1													205-16		
SUCNPF 206-18	1 1/8	57.15	4 1/4	3 1/4	45/64	1/2	1 7/32	33/64	1 19/32	1.5000	0.6260	0.8740	7/16	SUC 206-18	NPF 206	2.4
206		30	108	83	18	13	31	13	40.2	38.1	15.9	22.2		206		
206-19	1 3/16													206-19		
206-20	1 1/4 S													206-20		
SUCNPF 207-20	1 1/4	63.5	4 19/32	3 5/8	3/4	19/32	1 11/32	33/64	1 3/4	1.6890	0.6890	1.0000	7/16	SUC 207-20	NPF 207	3.3
207-21	1 5/16													207-21		
207-22	1 3/8													207-22		
207		35	117	92	19	15	34	13	44.4	42.9	17.5	25.4		207		
207-23	1 7/16													207-23		
SUCNPF 208-24	1 1/2	76.2	5 1/8	4	53/64	19/32	1 13/32	35/64	2 1/32	1.9370	0.7480	1.1890	1/2	SUC 208-24	NPF 208	4.2
208		40	130	102	21	15	36	14	51.2	49.2	19.0	30.2		208		
SUCNPF 209-27	1 11/16	89.15	5 13/32	4 1/8	55/64	5/8	1 1/2	5/8	2 1/16	1.9370	0.7480	1.1890	9/16	SUC 209-27	NPF 209	5.2
209-28	1 3/4													209-28		
209		45	137	105	22	16	38	16	52.2	49.2	19.0	30.2		209		
SUCNPF 210-31	1 5/16	79.25	5 5/8	4 3/8	55/64	5/8	1 9/16	5/8	2 5/32	2.0315	0.7480	1.2835	9/16	SUC 210-31	NPF 210	5.6
210		50	143	111	22	16	40	16	54.6	51.6	19.0	32.6		210		
210-32	2 S													210-32		
SUCNPF 211-32	2	101.6	6 3/8	5 1/8	63/64	23/32	1 11/16	43/64	2 5/16	2.1890	0.8740	1.3150	5/8	SUC 211-32	NPF 211	7.7
211-35	2 3/16													211-35		
SUCNPF 212-39	2 7/16	104.15	6 7/8	5 5/8	1 9/64	23/32	1 7/8	43/64	2 23/32	2.5630	1.0000	1.5630	5/8	SUC 212-39	NPF 212	9.4
			175	143	29	18	48	17	68.7	65.1	25.4	39.7				

CUCNPF with Hard Chrome Coated Bearing Inserts

CUCNPF 204-12	3/4													CUC 204-12	NPF 204	1.4
204		20	86	64	15	11	25.4	11	33.3	31.0	12.7	18.3	3/8	204		
CUCNPF 205-14	7/8													CUC 205-14	NPF 205	1.9
205		25	95	70	16	13	27	11.5	35.7	34.0	14.3	19.7	3/8	205		
205-16	1													205-16		
CUCNPF 206-18	1 1/8													CUC 206-18	NPF 206	2.4
206		30	108	83	18	13	31	13	40.2	38.1	15.9	22.2	7/16	206		
206-19	1 3/16													206-19		
206-20	1 1/4 S													206-20		
CUCNPF 207-20	1 1/4													CUC 207-20	NPF 207	3.3
207-22	1 3/8													207-22		
207		35	117	92	19	15	34	13	44.4	42.9	17.5	25.4	7/16	207		
207-23	1 7/16													207-23		
CUCNPF 208-24	1 1/2													CUC 208-24	NPF 208	4.2
208		40	130	102	21	15	36	14	51.2	49.2	19.0	30.2	1/2	208		