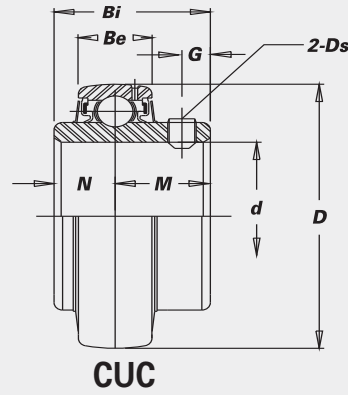


Hard Chrome Coated Inserts

CUC Set Screw Lock

Rings	Hard Chrome Coated
Balls	440 Stainless Steel
Seal	Silicone Rubber
Slinger & Seal Frame	302 Stainless Steel
Retainer	302 Stainless Steel*
Set Screws	410 Stainless Steel
Lubrication	H-1 Food Grade Grease

* Chrome coated for sizes 213-215



B-type Seal

CORROSION RESISTANT

Bearing No.	Bore Dia. of Bearing		Dimensions (in. (mm))							Basic Load Rating (lbs.)	Basic Static Load Rating (lbs.)	Weight (lbs.)
	<i>d</i>	<i>d</i>	<i>D</i>	<i>Bi</i>	<i>Be</i>	<i>N</i>	<i>M</i>	<i>G</i>	<i>Ds</i> (in.)			
CUC with Set Screw Lock												
CUC 204-12 204	3/4	20	1.8504 47.0	1.2205 31.0	0.6299 16.0	0.5000 12.7	0.7205 18.3	0.1969 5.0	1/4-28UNF	2,740	1,600	0.35 0.35
CUC 205-14 205	7/8	25	2.0472 52.0	1.3386 34.0	0.6693 17.0	0.5630 14.3	0.7756 19.7	0.2165 5.5	1/4-28UNF	3,010	1,750	0.51 0.44 0.44
CUC 206-18 206	1 1/8	30	2.4409 62.0	1.5000 38.1	0.7480 19.0	0.6260 15.9	0.8740 22.2	0.2362 6.0	1/4-28UNF	4,200	2,430	0.75 0.71 0.71
CUC 206-19 206-20	1 3/16											
CUC 207-20 207-22 207	1 1/4	35	2.8346 72.0	1.6890 42.9	0.7874 20.0	0.6890 17.5	1.0000 25.4	0.2559 6.5	5/16-24UNF	5,535	3,340	1.19 1.06 1.06
CUC 207-23	1 7/16											0.99
CUC 208-24 208	1 1/2	40	3.1496 80.0	1.9370 49.2	0.8268 21.0	0.7480 19.0	1.1890 30.2	0.3150 8.0	5/16-24UNF	6,375	3,960	1.50 1.41
CUC 209-27 209-28 209	1 11/16	45	3.3465 85.0	1.9370 49.2	0.8661 22.0	0.7480 19.0	1.1890 30.2	0.3150 8.0	5/16-24UNF	7,110	4,460	1.63 1.54 1.50
CUC 210-31 210	1 15/16	50	3.5433 90.0	2.0315 51.6	0.9449 24.0	0.7480 19.0	1.2835 32.6	0.3543 9.0	3/8-24UNF	7,400	4,910	1.81 1.76 1.66
CUC 210-32 210-32	2S											
CUC 211-32 211-35	2	2 3/16	3.9370 100.0	2.1890 55.6	0.9843 25.0	0.8740 22.2	1.3150 33.4	0.3543 9.0	3/8-24UNF	9,490	6,440	2.78 2.40
CUC 212-36 212-39	2 1/4	2 7/16	4.3307 110.0	2.5630 65.1	1.0630 27.0	1.0000 25.4	1.5630 39.7	0.4134 10.5	3/8-24UNF	11,500	7,940	3.68 3.20
CUC 213-40	2 1/2		4.7244 120.0	2.5630 65.1	1.1024 28.0	1.0000 25.4	1.5630 39.7	0.4724 12.0	1/2-20UNF	12,400	8,760	4.28
CUC 215-47 215-48	2 15/16	3	5.1181 130.0	3.0630 77.8	1.2598 32.0	1.3110 33.3	1.7520 44.5	0.4724 12.0	1/2-20UNF	14,620	10,540	5.02 4.67