

BALDOR® • RELIANCE 

Product Information Packet

CL5007A-50

.75HP, 1425RPM, 1PH, 50HZ, 56C, 3528L, XPFC, F1

Part Detail							
Revision:	AB	Status:	PRD/A	Change #:		Proprietary:	No
Type:	AC	Elec. Spec:	35WGS318	CD Diagram:	CD0008	Mfg Plant:	
Mech. Spec:	35L198	Layout:	35LYL198	Poles:	04	Created Date:	
Base:	RG	Eff. Date:	07-23-2015	Leads:	6#18,1#16 #4TH		

Specs			
Catalog Number:	CL5007A-50	Inverter Code:	Not Inverter
Enclosure:	XPFC	KVA Code:	J
Frame:	56C	Lifting Lugs:	No Lifting Lugs
Frame Material:	Steel	Locked Bearing Indicator:	Locked Bearing
Output @ Frequency:	.750 HP @ 50 HZ	Motor Lead Quantity/Wire Size:	6 @ 18 AWG
Synchronous Speed @ Frequency:	1500 RPM @ 50 HZ	Motor Lead Exit:	Ko Box
Voltage @ Frequency:	110.0 V @ 50 HZ	Motor Lead Termination:	Flying Leads
	220.0 V @ 50 HZ	Motor Type:	3528L
XP Class and Group:	CLI GP D; CLII GP F,G	Mounting Arrangement:	F1
XP Division:	Division I	Power Factor:	76
Agency Approvals:	UR	Product Family:	General Purpose
	UL	Pulley End Bearing Type:	Ball
	CSA	Pulley Face Code:	C-Face
Auxillary Box:	No Auxillary Box	Pulley Shaft Indicator:	Standard
Auxillary Box Lead Termination:	None	Rodent Screen:	None
Base Indicator:	Rigid	RoHS Status:	ROHS COMPLIANT
Bearing Grease Type:	Polyrex EM (-20F +300F)	Shaft Extension Location:	Pulley End
Blower:	None	Shaft Ground Indicator:	No Shaft Grounding

Current @ Voltage:	4.800 A @ 220.0 V	Shaft Rotation:	Reversible
	9.600 A @ 110.0 V	Shaft Slinger Indicator:	No Slinger
Design Code:	N	Speed Code:	Single Speed
Drip Cover:	No Drip Cover	Motor Standards:	NEMA
Duty Rating:	CONT	Starting Method:	Direct on line
Electrically Isolated Bearing:	Not Electrically Isolated	Thermal Device - Bearing:	NONE (OLD)
Feedback Device:	NO FEEDBACK	Thermal Device - Winding:	None
Front Face Code:	Standard	Vibration Sensor Indicator:	No Vibration Sensor
Front Shaft Indicator:	None	Winding Thermal 1:	Automatic Thermal Overload
Heater Indicator:	No Heater	Winding Thermal 1 Location:	SB
Insulation Class:	B	Winding Thermal 2:	None
		XP Temp Code:	T4

Nameplate NP0016XPSL	
NO.	[] CC []
SER.	[]
SPEC.	35L198S318
CAT.NO.	CL5007A-50
HP	.75 T. CODE T4
VOLTS	110/220
AMPS	9.6/4.8
RPM	1425
HZ	50 PH 1 CL B
SER.F.	1.00 DES N CODE J
RATING	40C AMB-CONT
FRAME	56C NEMA-NOM-EFF 70
USABLE AT 208V	PF 76
BLANK	[]

Parts List		
Part Number	Description	Quantity
SA026846	SA 35L198S318	1.000 EA
RA022895	RA 35L198S318	1.000 EA
TPMRJ30RX	THERMAL 1PH 0.75 AUT 120C	1.000 EA
EC1189A02SP	61B2D120189NNBA ELEC CAP, 189-227MFD, 12	1.000 EA
EC1270A02SP	ELEC CAP, 270-324 MFD, 125V, 1.48D X 3.	1.000 EA
35CB3001A01SP	EXPL CONDUIT BOX, MACH, 1/2" PIPE TAP LE	1.000 EA
11XW1032G06	10-32 X .38, TAPTITE II, HEX WSHR SLTD U	1.000 EA
HW3001B01	BRASS CUP WASHER, FOR #10 SCREW	1.000 EA
35EP3700A01SP	FR ENDPLATE, XPFC	1.000 EA
51XW0832A07	8-32 X .44, TAPTITE II, HEX WSHR SLTD SE	2.000 EA
HW5100A03	WAVY WASHER (W1543-017)	1.000 EA
35EP3702A01SP	PU EP-205 BRG-35X-56C-143-5TC	1.000 EA
51XN1032A18	10-32 X 1 1/8 HX WS SL SR (ESKAY)	2.000 EA
HA3013A01	1/2-20X5/8 SPL.HX BOLT	2.000 EA
HW3021C06	3/32 DI X .625 PIN (F/S)	2.000 EA
XY3118A12	5/16-18 HEX NUT DIRECTIONAL SERRATION	4.000 EA
35FN3002A05SP	EXFN, PLASTIC, 6.376 OD, .638 ID	1.000 EA
51XB1214A16	12-14X1.00 HXWSSLD SERTYB	1.000 EA
51XW1032A06	10-32 X .38, TAPTITE II, HEX WSHR SLTD S	3.000 EA
35CB3500A01SP	CONDUIT BOX LID, MACH	1.000 EA
51XN2520A16	SCREW, HEX WS SLT, ZN, 1/4-20 X 1.00	4.000 EA
HW2501D13	KEY, 3/16 SQ X 1.375	1.000 EA
HA7000A04	KEY RETAINER 0.625 DIA SHAFTS	1.000 EA
85XU0407S04	4X1/4 U DRIVE PIN STAINLESS	6.000 EA

Parts List (continued)		
Part Number	Description	Quantity
HA6003A52	CLAMP, CAPACITOR, WHITE ZINC PLATED	2.000 EA
51XW0832A07	8-32 X .44, TAPTITE II, HEX WSHR SLTD SE	2.000 EA
MJ1000A02	GREASE, POLYREX EM EXXON (USe 4824-15A)	0.050 LB
35FH4005A01SP	IEC FH NO GREASER W/PRIMED	1.000 EA
MG1025G29	WILKOFASST, 789.229, DARK CHARCOAL GRAY	0.017 GA
NP0016XPSL	SS XP UL CSA CC CL-I GP-D CL-II GP-F&G	1.000 EA
NP0018F	ALUM UL XP CONDUIT BOX NAMEPLATE	1.000 EA
HA3104A08	THRUBOLT-5/16-18X9.375 X X	4.000 EA
HA6001A01	THERMAL RETAINER (PLATED)	1.000 EA
12XF0632A06	6-32X3/8 TY F HEX HD SLT	2.000 EA
SP5051A64	MODEL 35 TORQ STATIONARY SWITCH FOR XP	1.000 EA
LB1118	LABEL,WARNING (ROLL LABEL)	1.000 EA
LC0008	CONNECTION LABEL	1.000 EA
36PA1000	PKG GRP, PRINT PK1016A06	1.000 EA
MN416A01	TAG-INSTAL-MAINT no wire (1200/bx) 5/18	1.000 EA

AC Induction Motor Performance Data

Record # 50517 - Typical performance - not guaranteed values

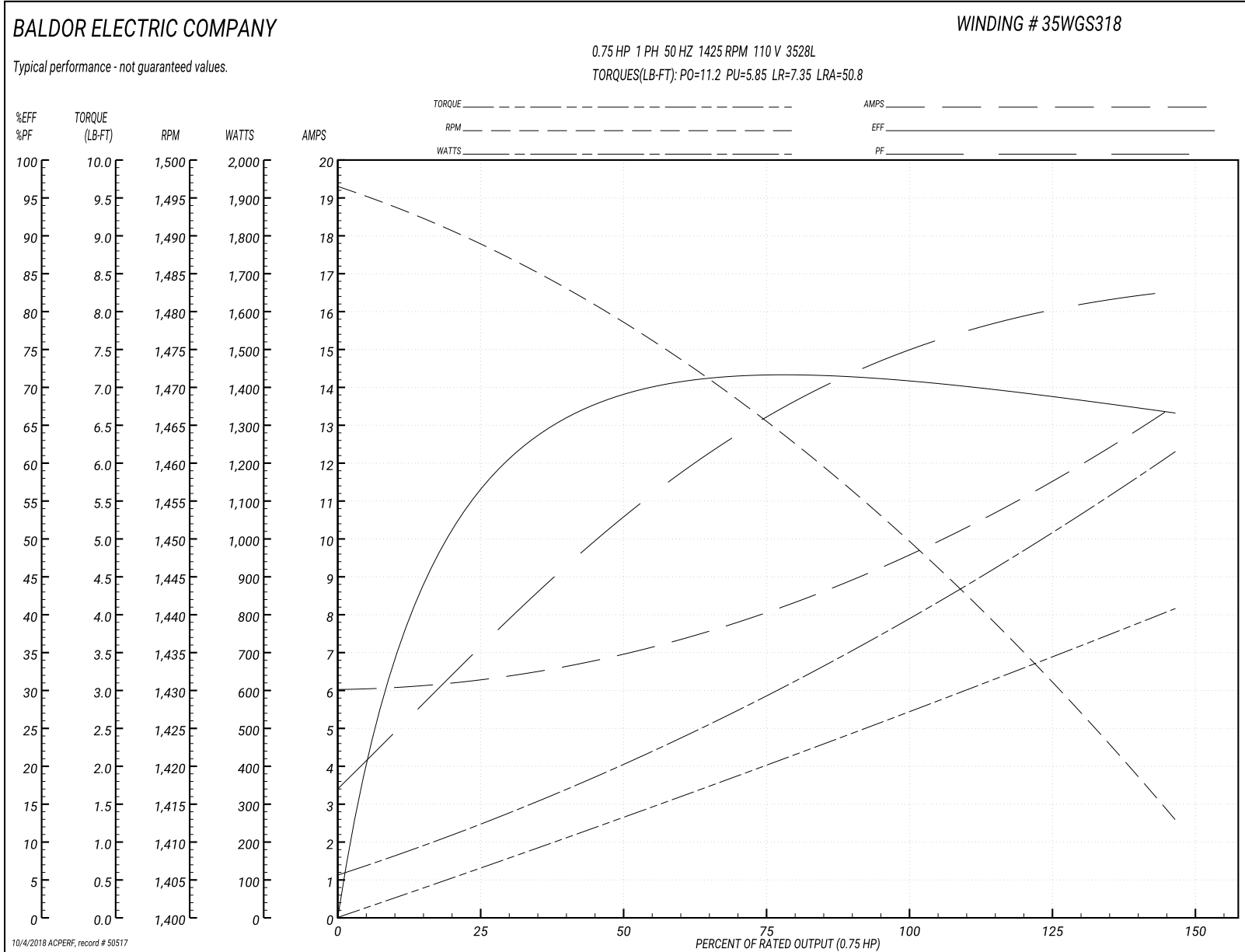
Winding: 35WGS318-R001	Type: 3528L	Enclosure: TEFC
-------------------------------	--------------------	------------------------

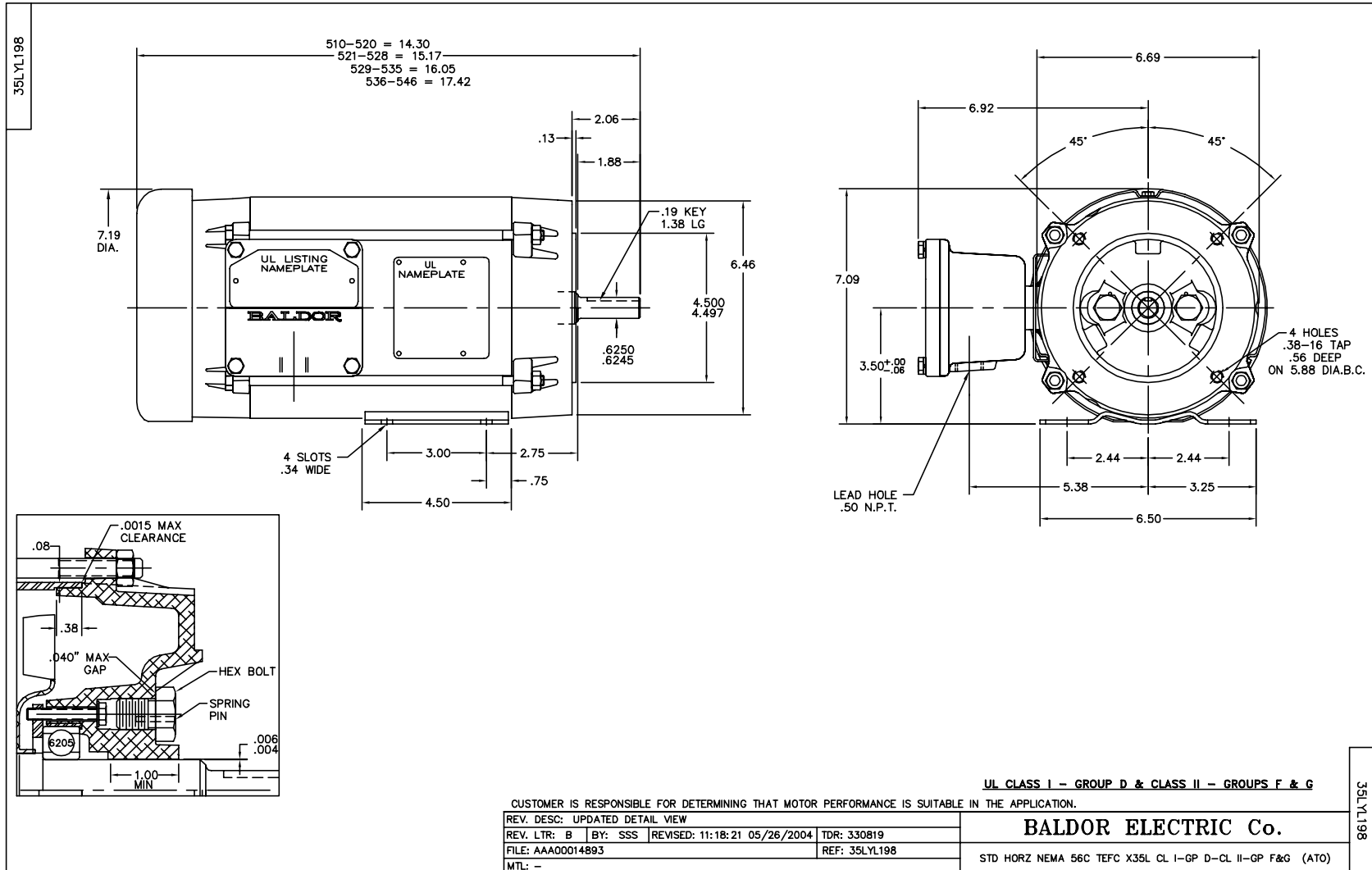
Nameplate Data				110 V, 50 Hz: Low Voltage Connection	
Rated Output (HP)	.75			Full Load Torque	2.68 LB-FT
Volts	110/220			Start Configuration	direct on line
Full Load Amps	9.6/4.8			Breakdown Torque	11.2 LB-FT
R.P.M.	1425			Pull-up Torque	5.85 LB-FT
Hz	50	Phase	1	Locked-rotor Torque	7.35 LB-FT
NEMA Design Code	N	KVA Code	J	Starting Current	50.8 A
Service Factor (S.F.)	1			No-load Current	6 A
NEMA Nom. Eff.	70	Power Factor	76	Line-line Res. @ 25°C	0.825 Ω A Ph 2.35 Ω B Ph
Rating - Duty	40C AMB-CONT			Temp. Rise @ Rated Load	
				Locked-rotor Power Factor	92.8
				Rotor inertia	0.166 LB-FT ²

Load Characteristics 110 V, 50 Hz, 0.75 HP

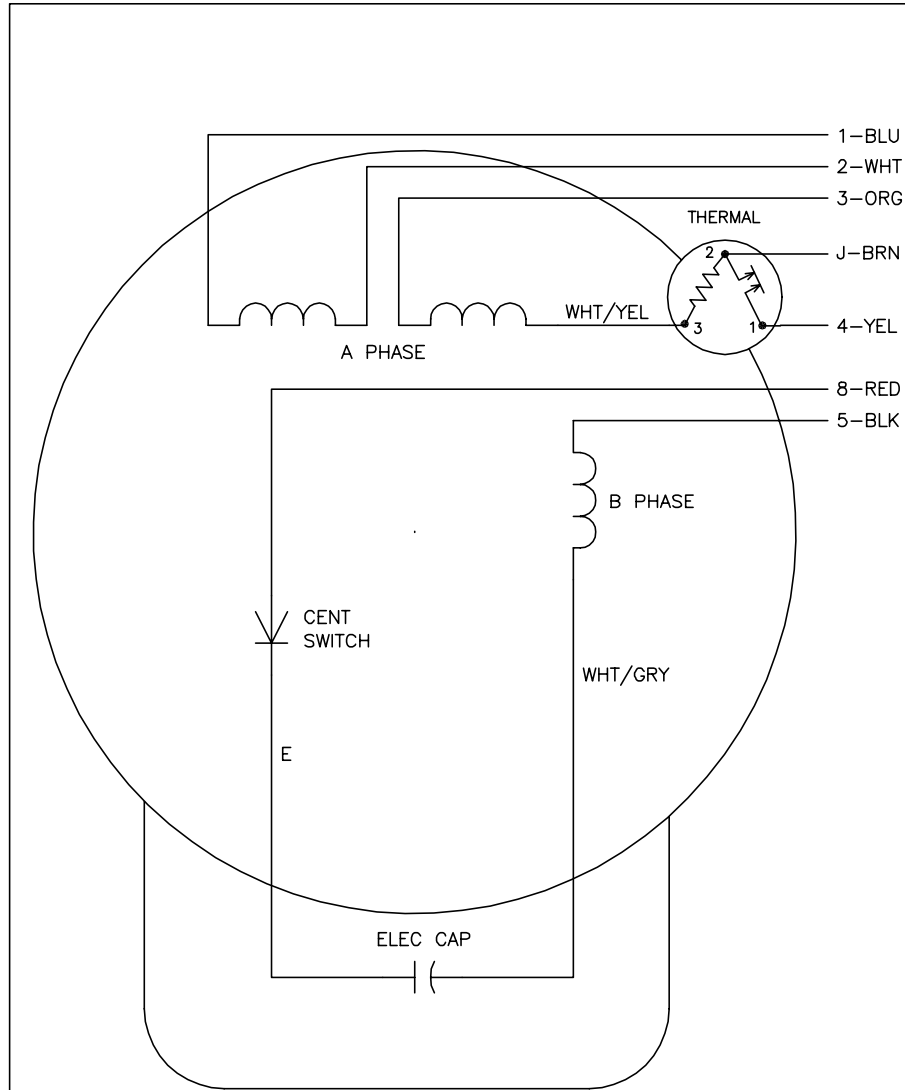
% of Rated Load	25	50	75	100	125	150
Power Factor	38	54	66	74	80	83
Efficiency	56.3	67.9	71.4	71.8	69.5	66.1
Speed	1487	1477	1464	1453	1433	1411
Line amperes	6.32	7.01	8.14	9.47	11.4	13.6

Performance Graph at 110V, 50Hz, 0.75HP Typical performance - Not guaranteed values





CD0008



	LINE A	LINE B	JOIN	JOIN
HIGH STD	1	4	2,3,8	J,5
HIGH OPP	1	4	2,3,5	J,8
LOW STD	1,3,8	4	-	2,J,5
LOW OPP	1,3,5	4	-	2,J,8

NOTES:

1. STANDARD ROTATION IS CCW FACING END OPPOSITE SHAFT EXTENSION.
2. MULTIPLE CAPACITORS ARE CONNECTED IN PARALLEL UNLESS OTHERWISE SPECIFIED.
3. LEAD COLORS ARE OPTIONAL. LEADS MUST ALWAYS BE NUMBERED AS SHOWN.

REV. DESC: REMOVE 2-TERMINAL THERMAL DETAIL, SEE CD0008A02		
REV. LTR: F	VERSION: 01	TDR: 000000360649
80000	FILE: \AAA\00007\408	REVISED: 10:56:54 04/18/2005
	MTL: -	BY: ENJOEPO

BALDOR ELECTRIC Co.

TYPE L, DV, REV, THERMAL, 7 LEADS

CD0008