

**BALDOR® • RELIANCE** 

**Product Information Packet**

**CL5001A**

**.33HP,1725RPM,1PH,60HZ,56C,X3414L,XPFC**

Part Detail							
Revision:	AC	Status:	PRD/A	Change #:		Proprietary:	No
Type:	AC	Elec. Spec:	34WG5597	CD Diagram:	CD0565	Mfg Plant:	
Mech. Spec:	34-5328	Layout:	34LY5328	Poles:	04	Created Date:	
Base:	RG	Eff. Date:	09-22-2016	Leads:	7#18		

Specs			
Catalog Number:	CL5001A	Insulation Class:	B
Enclosure:	XPFC	Inverter Code:	Not Inverter
Frame:	56C	KVA Code:	L
Frame Material:	Steel	Lifting Lugs:	No Lifting Lugs
Output @ Frequency:	.330 HP @ 60 HZ	Locked Bearing Indicator:	No Locked Bearing
Synchronous Speed @ Frequency:	1800 RPM @ 60 HZ	Motor Lead Quantity/Wire Size:	7 @ 18 AWG
Voltage @ Frequency:	115.0 V @ 60 HZ	Motor Lead Exit:	Ko Box
	230.0 V @ 60 HZ	Motor Lead Termination:	Flying Leads
	208.0 V @ 60 HZ	Motor Type:	3414L
XP Class and Group:	CLI GP D; CLII GP F,G	Mounting Arrangement:	F1
XP Division:	Division I	Power Factor:	60
Agency Approvals:	CSA	Product Family:	Hazardous Location Motor
	UL	Pulley End Bearing Type:	Ball
	UR	Pulley Face Code:	C-Face
Auxillary Box:	No Auxillary Box	Pulley Shaft Indicator:	Standard
Auxillary Box Lead Termination:	None	Rodent Screen:	None
Base Indicator:	Rigid	Shaft Extension Location:	Pulley End
Bearing Grease Type:	Polyrex EM (-20F +300F)	Shaft Ground Indicator:	No Shaft Grounding

<b>Blower:</b>	None	<b>Shaft Rotation:</b>	Reversible
<b>Current @ Voltage:</b>	6.000 A @ 115.0 V	<b>Shaft Slinger Indicator:</b>	No Slinger
	3.200 A @ 208.0 V	<b>Speed Code:</b>	Single Speed
	3.000 A @ 230.0 V	<b>Motor Standards:</b>	NEMA
<b>Design Code:</b>	N	<b>Starting Method:</b>	Direct on line
<b>Drip Cover:</b>	No Drip Cover	<b>Thermal Device - Bearing:</b>	NONE (OLD)
<b>Duty Rating:</b>	CONT	<b>Thermal Device - Winding:</b>	None
<b>Electrically Isolated Bearing:</b>	Not Electrically Isolated	<b>Vibration Sensor Indicator:</b>	No Vibration Sensor
<b>Feedback Device:</b>	NO FEEDBACK	<b>Winding Thermal 1:</b>	Automatic Thermal Overload
<b>Front Face Code:</b>	Standard	<b>Winding Thermal 1 Location:</b>	ES
<b>Front Shaft Indicator:</b>	None	<b>Winding Thermal 2:</b>	None
<b>Heater Indicator:</b>	No Heater	<b>XP Temp Code:</b>	T3C

Nameplate NP0016XPSL										
NO.		CC								
SER.										
SPEC.	34-5328-5597									
CAT.NO.	CL5001A									
HP	.33	T. CODE	T3C							
VOLTS	115/208-230									
AMPS	6/3.2-3									
RPM	1725									
HZ	60	PH	1	CL	B					
SER.F.	1.00	DES	N	CODE	L					
RATING	40C AMB-CONT									
FRAME	56C	NEMA-NOM-EFF	60							
USABLE AT 208V	3.2	PF	60							
BLANK										

Parts List		
Part Number	Description	Quantity
SA008982	SA 34-5328-5597	1.000 EA
RA005429	RA 34-5328-5597	1.000 EA
TPMRG57BV	THERMAL 1PH 0.75 AUT 105C	1.000 EA
EC1108A08	ELEC CAP, 108-130 MFD, 125V, 1.13D X 2.	1.000 EA
EC1088A08	ELEC CAP 115V 1.125X2.750 X	1.000 EA
MJ5000A01	SEALANT, CHICO A COMPOUND	0.050 LB
35CB3001A01SP	EXPL CONDUIT BOX, MACH, 1/2" PIPE TAP LE	1.000 EA
11XW1032G06	10-32 X .38, TAPTITE II, HEX WSHR SLTD U	1.000 EA
HW3001B01	BRASS CUP WASHER, FOR #10 SCREW	1.000 EA
34EP3703A01	FR ENDPLATE, MACH XP	1.000 EA
51XW0832A07	8-32 X .44, TAPTITE II, HEX WSHR SLTD SE	2.000 EA
HW4002A02	1-11.5X2LG PIPE NIPPLE (F/S)	1.000 EA
HA1025A13	WSHR,FELT,.38" THICK F-26 CLASS	1.000 EA
HW3021E06	1/8 DIA X 5/8 ROLLPIN (F/S)	1.000 EA
HW5100A03	WAVY WASHER (W1543-017)	1.000 EA
34EP3705A01SP	PU ENDPLATE, MACH	1.000 EA
34FN3002A01SP	EXTERNAL FAN, PLASTIC, .637/.639 HUB W/	1.000 EA
34FH4002A01SP	IEC FH NO GREASER PRIMED	1.000 EA
51XW1032A06	10-32 X .38, TAPTITE II, HEX WSHR SLTD S	3.000 EA
35CB3500A01SP	CONDUIT BOX LID, MACH	1.000 EA
51XN2520A16	SCREW, HEX WS SLT, ZN, 1/4-20 X 1.00	4.000 EA
HW2501D13	KEY, 3/16 SQ X 1.375	1.000 EA
HA7000A04	KEY RETAINER 0.625 DIA SHAFTS	1.000 EA
NP0018W	ALUM UL XP CONDUIT BOX NAMEPLATE	1.000 EA

<b>Parts List (continued)</b>		
<b>Part Number</b>	<b>Description</b>	<b>Quantity</b>
HA6003A52	CLAMP, CAPACITOR, WHITE ZINC PLATED	2.000 EA
51XW0832A07	8-32 X .44, TAPTITE II, HEX WSHR SLTD SE	2.000 EA
MG1025G29	WILKOFASST, 789.229, DARK CHARCOAL GRAY	0.014 GA
85XU0407S04	4X1/4 U DRIVE PIN STAINLESS	6.000 EA
SP5036A01	STAT. SWITCH ASSY. MODEL 34 TYPE L OR S	1.000 EA
WD1000A16	2-520128-2 AMP FLAG TERMINAL(4M/RL)	5.000 EA
WD1000A16	2-520128-2 AMP FLAG TERMINAL(4M/RL)	6.000 EA
WD1000A16	2-520128-2 AMP FLAG TERMINAL(4M/RL)	8.000 EA
HA3104A03	THRUBOLT 5/16-18 X 7.625 W QTE#457	4.000 EA
LC0008	CONNECTION LABEL	1.000 EA
LB1118	LABEL,WARNING (ROLL LABEL)	1.000 EA
NP0016XPSL	SS XP UL CSA CC CL-I GP-D CL-II GP-F&G	1.000 EA
35PA1000	PKG GRP, PRINT PK1008A06	1.000 EA

**AC Induction Motor Performance Data**  
Record # 6785 - Typical performance - not guaranteed values

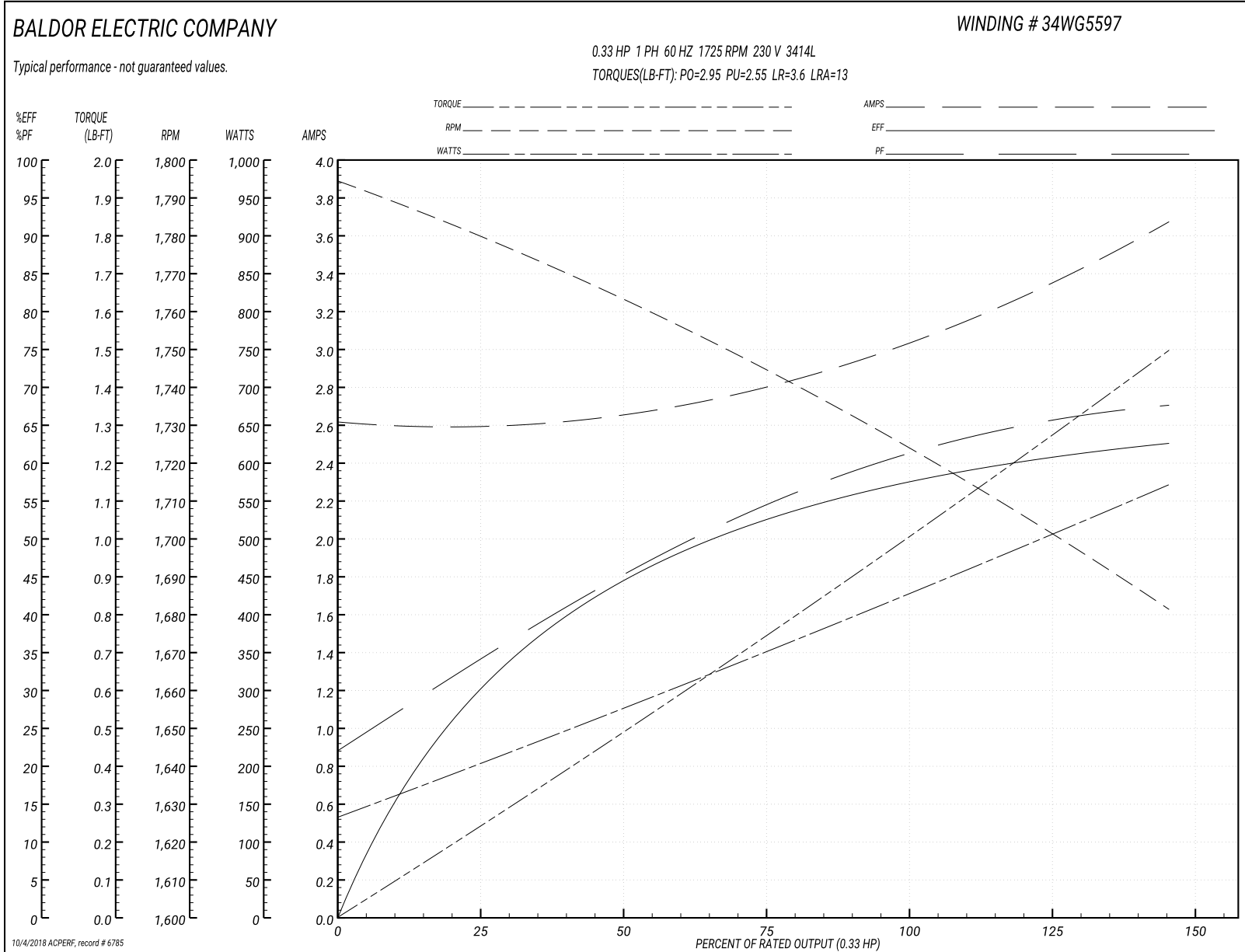
<b>Winding:</b> 34WG5597-R002	<b>Type:</b> 3414L	<b>Enclosure:</b> XPFC
-------------------------------	--------------------	------------------------

Nameplate Data				230 V, 60 Hz: High Voltage Connection	
Rated Output (HP)	.33			Full Load Torque	1 LB-FT
Volts	115/208-230			Start Configuration	direct on line
Full Load Amps	6/3.2-3			Breakdown Torque	2.95 LB-FT
R.P.M.	1725			Pull-up Torque	2.55 LB-FT
Hz	60	Phase	1	Locked-rotor Torque	3.6 LB-FT
NEMA Design Code	N	KVA Code	L	Starting Current	13 A
Service Factor (S.F.)	1			No-load Current	2.6 A
NEMA Nom. Eff.	60	Power Factor	60	Line-line Res. @ 25°C	6.32 Ω A Ph 4.93 Ω B Ph
Rating - Duty	40C AMB-CONT			Temp. Rise @ Rated Load	59°C

Load Characteristics 230 V, 60 Hz, 0.33 HP

% of Rated Load	25	50	75	100	125	150
Power Factor	31	41	52	60	67	73
Efficiency	33	41	52	60	61.5	61.5
Speed	1780	1760	1745	1725	1705	1680
Line amperes	2.6	2.7	2.8	3	3.3	3.7

Performance Graph at 230V, 60Hz, 0.33HP Typical performance - Not guaranteed values





**AC Induction Motor Performance Data**

Record # 39599 - Typical performance - not guaranteed values

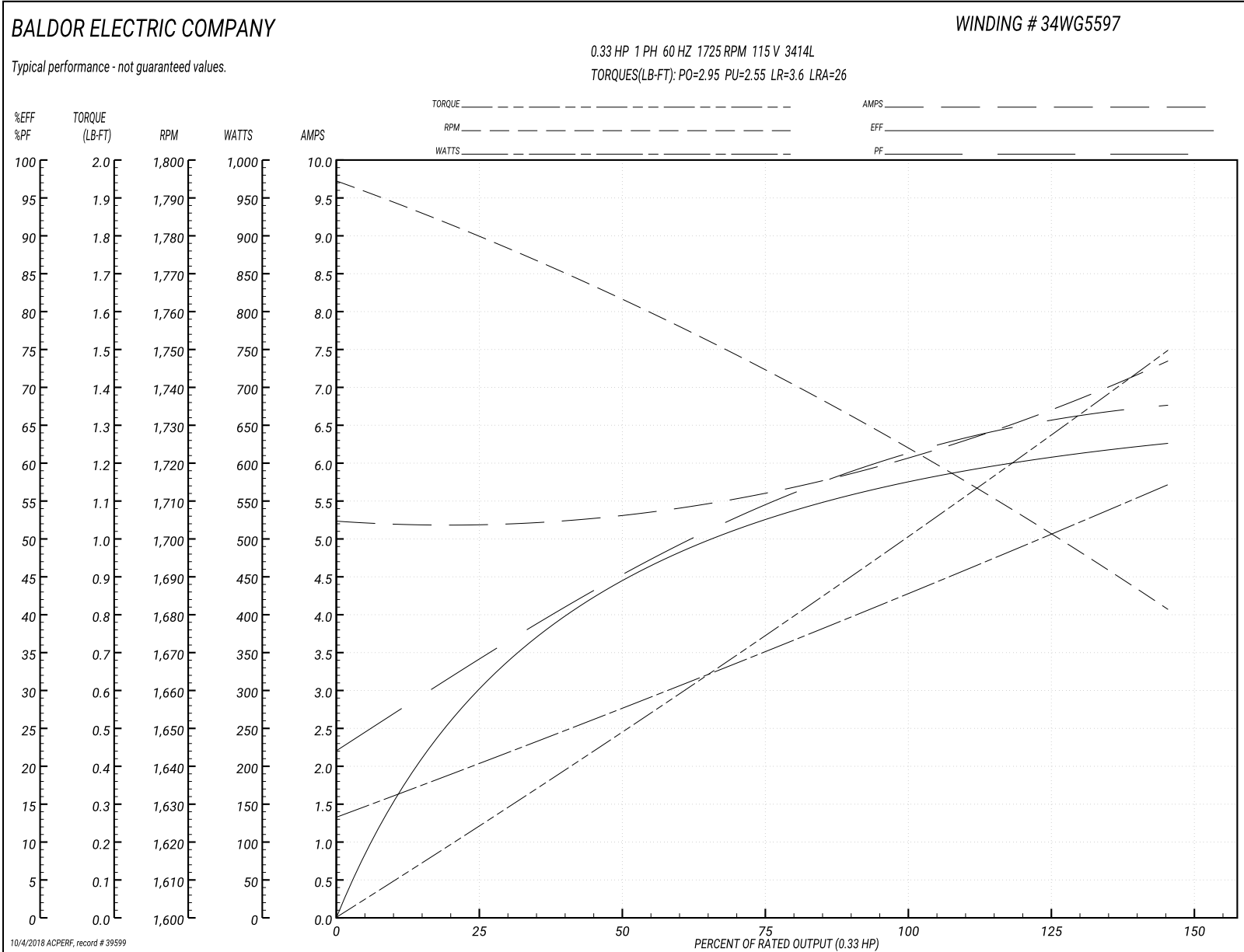
<b>Winding:</b> 34WG5597-R002	<b>Type:</b> 3414L	<b>Enclosure:</b> XPFC
-------------------------------	--------------------	------------------------

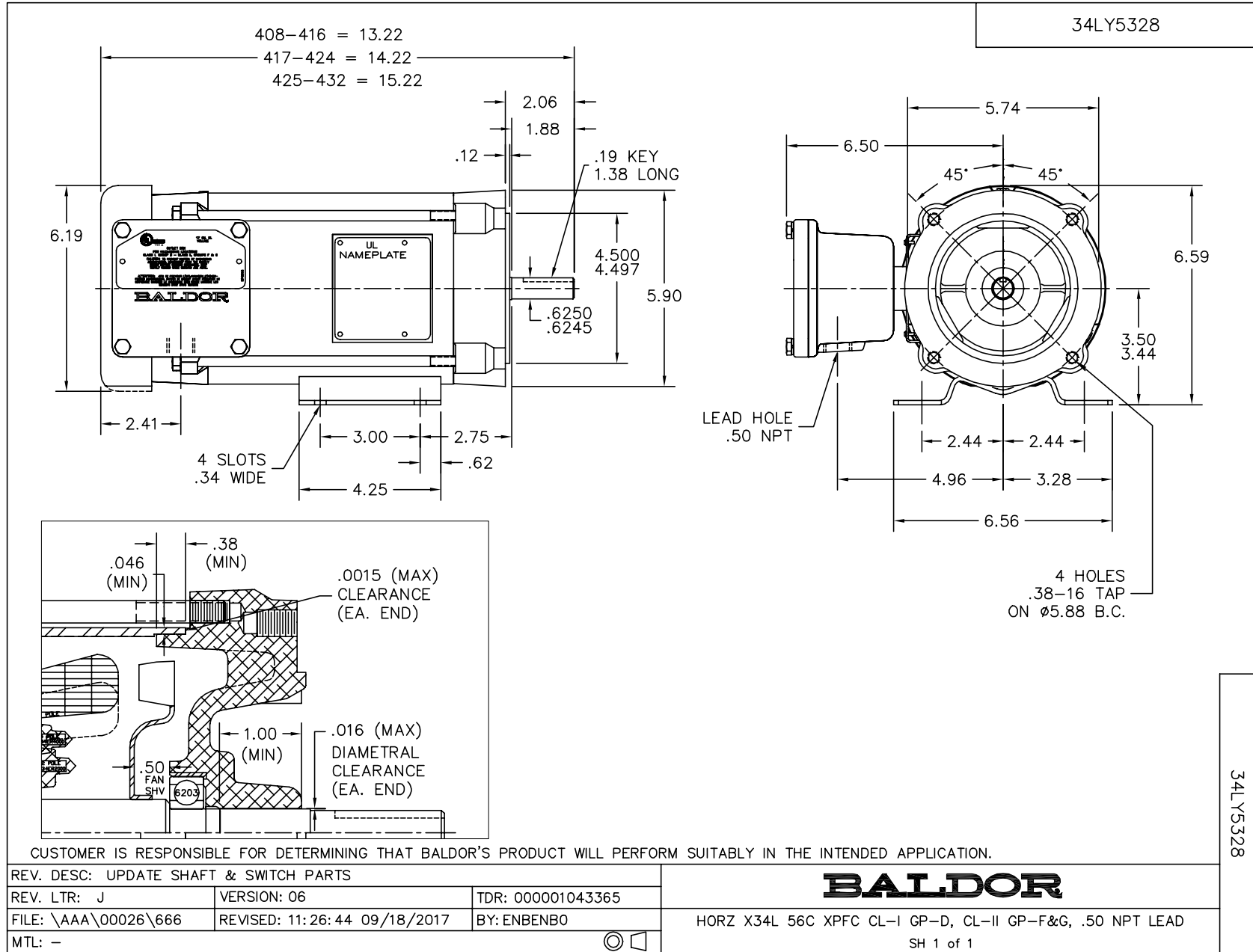
Nameplate Data				115 V, 60 Hz: Low Voltage Connection	
Rated Output (HP)	.33			Full Load Torque	1 LB-FT
Volts	115/208-230			Start Configuration	direct on line
Full Load Amps	6/3.2-3			Breakdown Torque	2.95 LB-FT
R.P.M.	1725			Pull-up Torque	2.55 LB-FT
Hz	60	Phase	1	Locked-rotor Torque	3.6 LB-FT
NEMA Design Code	N	KVA Code	L	Starting Current	26 A
Service Factor (S.F.)	1			No-load Current	5.2 A
NEMA Nom. Eff.	60	Power Factor	60	Line-line Res. @ 25°C	1.5 Ω A Ph 4.81 Ω B Ph
Rating - Duty	40C AMB-CONT			Temp. Rise @ Rated Load	59°C

Load Characteristics 115 V, 60 Hz, 0.33 HP

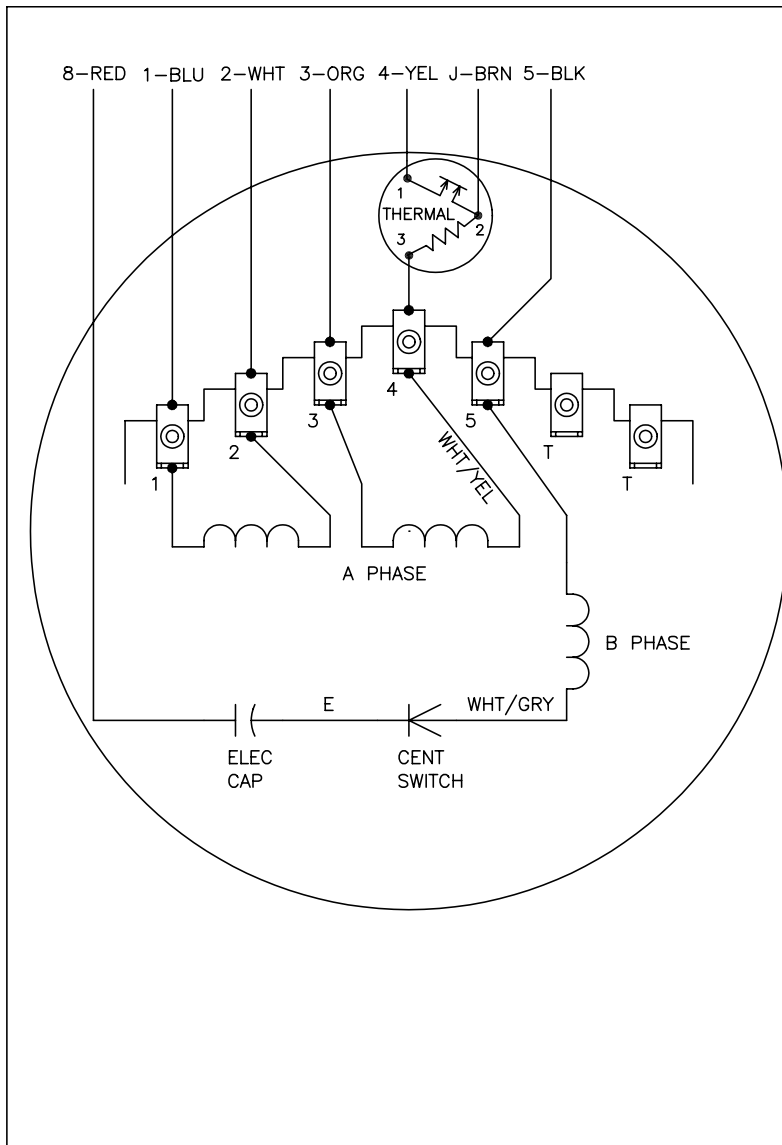
% of Rated Load	25	50	75	100	125	150
Power Factor	32	49	55	59	65	68
Efficiency	32.9	41	52.1	60.1	61.6	61.5
Speed	1780	1760	1745	1725	1705	1680
Line amperes	5.2	5.4	5.6	6	6.6	7.4

Performance Graph at 115V, 60Hz, 0.33HP Typical performance - Not guaranteed values





CD0565

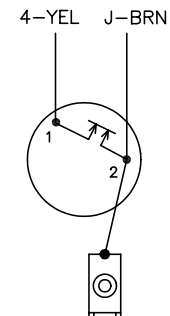


	LINE A	LINE B	JOIN	JOIN
HIGH STD	1	4	2,3,8	J,5
HIGH OPP	1	4	2,3,5	J,8
LOW STD	1,3,8	4	-	2,J,5
LOW OPP	1,3,5	4	-	2,J,8

NOTES:

1. STANDARD ROTATION IS CCW FACING END OPPOSITE SHAFT EXTENSION.
2. MULTIPLE CAPACITORS ARE CONNECTED IN PARALLEL UNLESS OTHERWISE SPECIFIED.
3. LEAD COLORS ARE OPTIONAL. LEADS MUST ALWAYS BE NUMBERED AS SHOWN.

CONNECTIONS FOR TWO-TERMINAL THERMAL



REV. DESC: REVISE TO SHOW OPTIONAL COLORS			
REV. LTR: C	BY: JLP	REVISED: 04/08/99 3:25	TDR: 0178636
9900CD		FILE: AAA00014311	MDL: -
		MTL: -	

**BALDOR ELECTRIC Co.**

TYPE L, DV, REV, THERMAL, 7 LD, 34XP

CD0565