

BALDOR® • RELIANCE 

Product Information Packet

CL3510

1HP,1725RPM,1PH,60HZ,56C,3524L,TEFC,F1,N

Part Detail							
Revision:	AQ	Status:	PRD/A	Change #:		Proprietary:	No
Type:	AC	Elec. Spec:	35WGX945	CD Diagram:	CD0001	Mfg Plant:	
Mech. Spec:	35C012	Layout:	35LYC012	Poles:	04	Created Date:	
Base:	RG	Eff. Date:	03-02-2018	Leads:	6#18		

Specs			
Catalog Number:	CL3510	Insulation Class:	F
Enclosure:	TEFC	Inverter Code:	Not Inverter
Frame:	56C	KVA Code:	K
Frame Material:	Steel	Lifting Lugs:	No Lifting Lugs
Output @ Frequency:	1.000 HP @ 60 HZ	Locked Bearing Indicator:	Locked Bearing
Synchronous Speed @ Frequency:	1800 RPM @ 60 HZ	Motor Lead Quantity/Wire Size:	6 @ 18 AWG
Voltage @ Frequency:	230.0 V @ 60 HZ	Motor Lead Exit:	Ko Box
	115.0 V @ 60 HZ	Motor Lead Termination:	Flying Leads
XP Class and Group:	None	Motor Type:	3524L
XP Division:	Not Applicable	Mounting Arrangement:	F1
Agency Approvals:	CSA	Power Factor:	74
	UR	Product Family:	General Purpose
Auxillary Box:	No Auxillary Box	Pulley End Bearing Type:	Ball
Auxillary Box Lead Termination:	None	Pulley Face Code:	C-Face
Base Indicator:	Rigid	Pulley Shaft Indicator:	Standard
Bearing Grease Type:	Polyrex EM (-20F +300F)	Rodent Screen:	None
Blower:	None	RoHS Status:	ROHS COMPLIANT
Current @ Voltage:	12.800 A @ 115.0 V	Shaft Extension Location:	Pulley End

	6.400 A @ 230.0 V	Shaft Ground Indicator:	No Shaft Grounding
	7.000 A @ 208.0 V	Shaft Rotation:	Reversible
Design Code:	L	Shaft Slinger Indicator:	No Slinger
Drip Cover:	No Drip Cover	Speed Code:	Single Speed
Duty Rating:	CONT	Motor Standards:	NEMA
Electrically Isolated Bearing:	Not Electrically Isolated	Starting Method:	Direct on line
Feedback Device:	NO FEEDBACK	Thermal Device - Bearing:	NONE (OLD)
Front Face Code:	Standard	Thermal Device - Winding:	None
Front Shaft Indicator:	None	Vibration Sensor Indicator:	No Vibration Sensor
Heater Indicator:	No Heater	Winding Thermal 1:	None
		Winding Thermal 2:	None

Nameplate NP1256L										
CAT.NO.	CL3510									
SPEC.	35C12X945									
HP	1									
VOLTS	115/230									
AMP	12.8/6.4									
RPM	1725									
FRAME	56C				HZ	60			PH	1
SER.F.	1.15		CODE	K	DES	L		CLASS	F	
NEMA-NOM-EFF	68		PF	74						
RATING	40C AMB-CONT									
CC								USABLE AT 208V	7	
DE	6205				ODE	6203				
ENCL	TEFC		SN							

Parts List		
Part Number	Description	Quantity
SA022562	SA 35C12X945	1.000 EA
RA018612	RA 35C12X945	1.000 EA
EC1645A06SP	ELEC CAP, 645-774 MFD, 125V, 2.06D X 4.	1.000 EA
NS2512A01	INSULATOR, CONDUIT BOX X	1.000 EA
35CB3007	35 CB CASTING W/.88 DIA. LEAD HOLE	1.000 EA
36GS1000SP	GASKET-CONDUIT BOX, .06 THICK #SV-330 LE	1.000 EA
51XB1016A07	10-16 X 7/16 HXWSSLD SERTYB	2.000 EA
11XW1032G06	10-32 X .38, TAPTITE II, HEX WSHR SLTD U	1.000 EA
51XW0832A07	8-32 X .44, TAPTITE II, HEX WSHR SLTD SE	2.000 EA
35EP3122K00	MASTER ODE,203 BRG,.683SH,#26 DRN,FH MTG	1.000 EA
51XB1016A05	10-16X5/16HX WA SL SR TYB (F/S)	2.000 EA
HW5100A03	WAVY WASHER (W1543-017)	1.000 EA
35EP3307F00	MASTER DE,205 BRG,.998SH,#26 DRN	1.000 EA
51XN1032A20	10-32 X 1 1/4 HX WS SL SR	2.000 EA
35FN3002A05SP	EXFN, PLASTIC, 6.376 OD, .638 ID	1.000 EA
51XB1214A16	12-14X1.00 HXWSSLD SERTYB	1.000 EA
35FH4005A32SP	IEC FH NO GRSR W/3 HOLES - PRIMED	1.000 EA
51XW1032A06	10-32 X .38, TAPTITE II, HEX WSHR SLTD S	3.000 EA
35CB4521GX	CONDUIT BOX LID KIT **ORDER INDIV PARTS	1.000 EA
51XW0832A07	8-32 X .44, TAPTITE II, HEX WSHR SLTD SE	4.000 EA
HW2501D13	KEY, 3/16 SQ X 1.375	1.000 EA
HA7000A04	KEY RETAINER 0.625 DIA SHAFTS	1.000 EA
85XU0407S04	4X1/4 U DRIVE PIN STAINLESS	2.000 EA
WD1000A15	3-520132-2 AMP FLAG (4M/RL NON-CANC/NON-	2.000 EA

Parts List (continued)		
Part Number	Description	Quantity
MJ1000A02	GREASE, POLYREX EM EXXON (USe 4824-15A)	0.050 LB
MG1000G27	MED CHARCOAL METALLIC GREY 400-0096	0.017 GA
SP5051A24	MODEL 35 TORQ STATIONARY SWITCH FOR "L"	1.000 EA
35CB4802A02SP	CAPACITOR COVER, STAMPED X	1.000 EA
34GS5003	OAM SLEEVE, ID = 2 1/16" X 3 3/8"	1.000 EA
35GS3001A02	GASKET, CA.COVER, 5.38 LONG .06 CS301	1.000 EA
HA3100A15	THRUBOLT 10-32 X 8.375	4.000 EA
LC0001A01	CONN LABEL / WARNING LABEL (LC0001 / LB1	1.000 EA
NP1256L	ALUM UL CSA CC INDUSTRIAL MOTOR A60	1.000 EA
35PA1066	PKG GRP, PRINT PK1008A06	1.000 EA
MN416A01	TAG-INSTAL-MAINT no wire (1200/bx) 5/18	1.000 EA
FE-0000001	ZRTG FE ASSEMBLY	1.000 EA
PE-0000001	ZRTG PE ASSEMBLY	1.000 EA

AC Induction Motor Performance Data

Record # 33217 - Typical performance - not guaranteed values

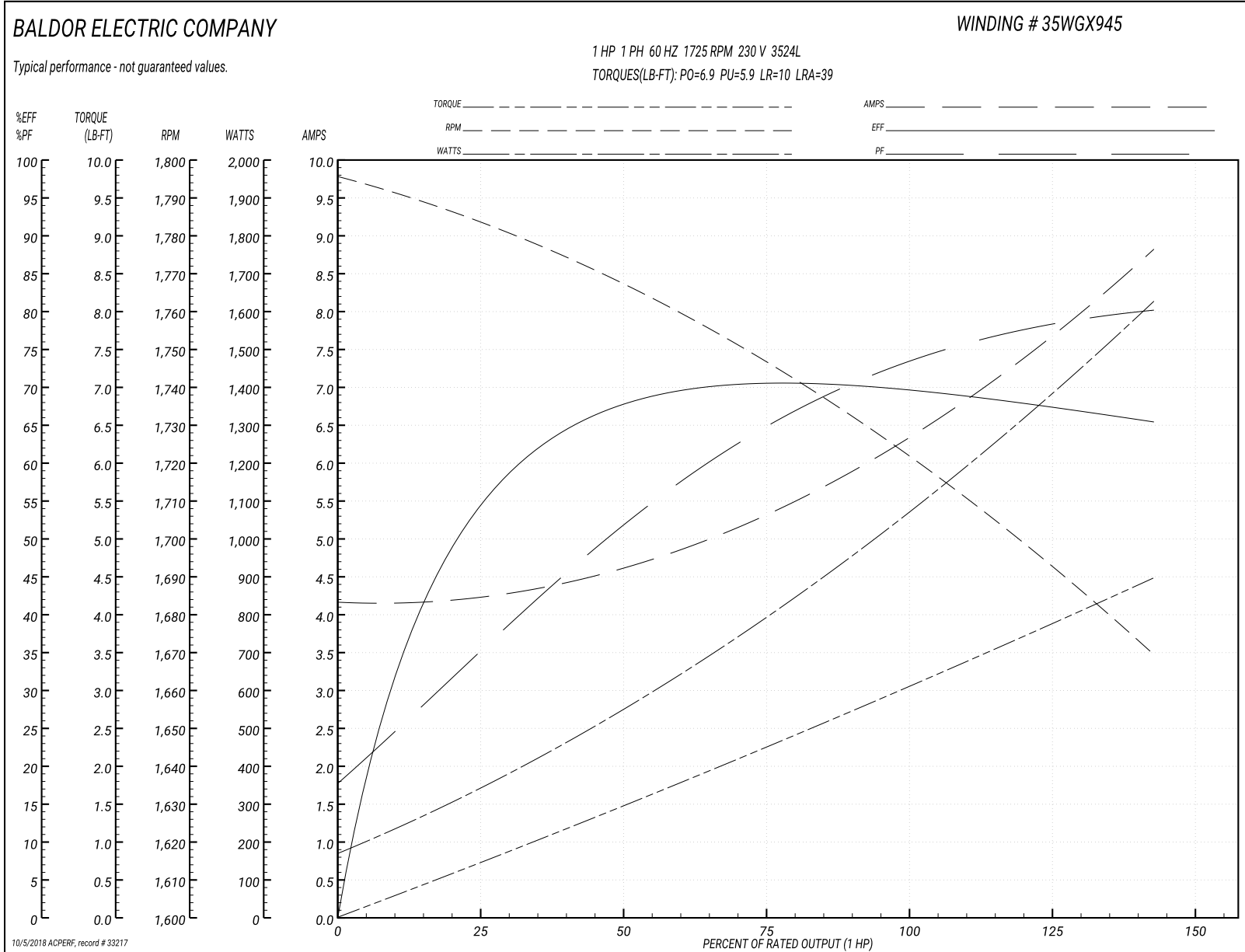
Winding: 35WGX945-R003	Type: 3524L	Enclosure: TEFC
-------------------------------	--------------------	------------------------

Nameplate Data				230 V, 60 Hz: High Voltage Connection	
Rated Output (HP)	1			Full Load Torque	3 LB-FT
Volts	115/230			Start Configuration	direct on line
Full Load Amps	12.8/6.4			Breakdown Torque	6.9 LB-FT
R.P.M.	1725			Pull-up Torque	5.9 LB-FT
Hz	60	Phase	1	Locked-rotor Torque	10 LB-FT
NEMA Design Code	L	KVA Code	K	Starting Current	39 A
Service Factor (S.F.)	1.15			No-load Current	4.1 A
NEMA Nom. Eff.	68	Power Factor	74	Line-line Res. @ 25°C	2.6 Ω A Ph 1.8 Ω B Ph
Rating - Duty	40C AMB-CONT			Temp. Rise @ Rated Load	79°C
S.F. Amps				Temp. Rise @ S.F. Load	96°C

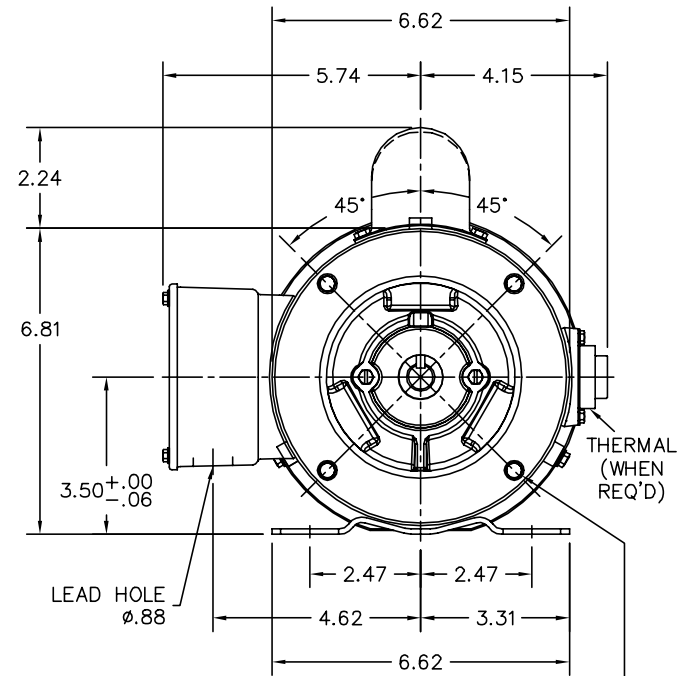
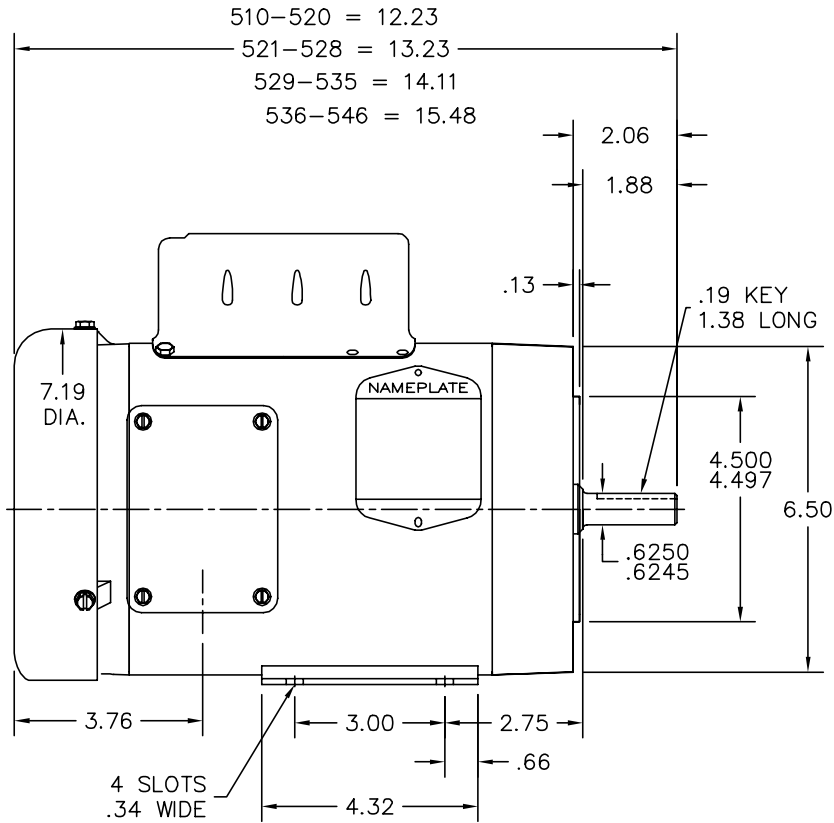
Load Characteristics 230 V, 60 Hz, 1 HP

% of Rated Load	25	50	75	100	125	150	S.F.
Power Factor	39	53	67	75	81	84	79
Efficiency	52.9	67.6	70	70.3	68.6	64.9	69.3
Speed	1781	1765	1746	1726	1701	1666	1711
Line amperes	4.3	4.7	5.3	6.2	7.4	8.9	6.9

Performance Graph at 230V, 60Hz, 1.0HP Typical performance - Not guaranteed values



35LYC012



4 HOLES
 .38-16 TAP
 ON ø5.88 B.C.

CUSTOMER IS RESPONSIBLE FOR DETERMINING THAT BALDOR'S PRODUCT WILL PERFORM SUITABLY IN THE INTENDED APPLICATION.

REV. DESC: REPLACE ENDPLATES		
REV. LTR: N	VERSION: 05	TDR: 000001063223
FILE: \AAA\00002\449	REVISED: 09:26:05 03/06/2018	BY: USJOBUR22
MTL: -	☉ □	

BALDOR

STD HORZ 56C TEFC 35L

SH 1 of 1

35LYC012

CD0001



REV. DESC: REVISE TO SHOW OPTIONAL COLORS			
REV. LTR: D	BY: JLP	REVISED: 04/08/99 1:16	TDR: 0178636
100000		FILE: AAA00007405	MDL: -
		MTL: -	

BALDOR ELECTRIC Co.

TYPE L, DV, REV, 6 LEADS

CD0001