

BALDOR® • RELIANCE 

Product Information Packet

CHM344A

.5HP,1725RPM,3PH,60HZ,48YZ,3416M,TEAO,F1

Part Detail							
Revision:	J	Status:	PRD/A	Change #:		Proprietary:	No
Type:	AC	Elec. Spec:	34WGR073	CD Diagram:	CD0007	Mfg Plant:	
Mech. Spec:	34M250	Layout:	34LYM250	Poles:	04	Created Date:	06-17-2013
Base:	RS	Eff. Date:	07-20-2018	Leads:	12#18		

Specs			
Catalog Number:	CHM344A	Inverter Code:	Not Inverter
Enclosure:	TEAO	KVA Code:	M
Frame:	48YZ	Lifting Lugs:	No Lifting Lugs
Frame Material:	Steel	Locked Bearing Indicator:	No Locked Bearing
Output @ Frequency:	.500 HP @ 60 HZ	Motor Lead Quantity/Wire Size:	12 @ 18 AWG
Synchronous Speed @ Frequency:	1800 RPM @ 60 HZ	Motor Lead Exit:	Terminal Panel Or Lead Hole
Voltage @ Frequency:	460.0 V @ 60 HZ	Motor Lead Termination:	Flying Leads
	230.0 V @ 60 HZ	Motor Type:	3416M
XP Class and Group:	None	Mounting Arrangement:	F1
XP Division:	Not Applicable	Power Factor:	63
Agency Approvals:	CSA	Product Family:	General Purpose
	UR	Pulley End Bearing Type:	Ball
Auxillary Box:	No Auxillary Box	Pulley Face Code:	Resilient Mount
Auxillary Box Lead Termination:	None	Pulley Shaft Indicator:	Standard
Base Indicator:	Resilient	Rodent Screen:	None
Bearing Grease Type:	Polyrex EM (-20F +300F)	RoHS Status:	ROHS COMPLIANT
Blower:	None	Shaft Extension Location:	Pulley End
Current @ Voltage:	1.100 A @ 460.0 V	Shaft Ground Indicator:	No Shaft Grounding

	2.200 A @ 230.0 V	Shaft Rotation:	Reversible
	2.300 A @ 208.0 V	Shaft Slinger Indicator:	No Slinger
Design Code:	B	Speed Code:	Single Speed
Drip Cover:	No Drip Cover	Motor Standards:	NEMA
Duty Rating:	CONT	Starting Method:	Direct on line
Electrically Isolated Bearing:	Not Electrically Isolated	Thermal Device - Bearing:	NONE (OLD)
Feedback Device:	NO FEEDBACK	Thermal Device - Winding:	None
Front Face Code:	Resilient Mount	Vibration Sensor Indicator:	No Vibration Sensor
Front Shaft Indicator:	None	Winding Thermal 1:	Automatic Thermal Overload
Heater Indicator:	No Heater	Winding Thermal 1 Location:	SB
Insulation Class:	B	Winding Thermal 2:	None

Nameplate NP1257L	
CAT.NO.	CHM344A
SPEC.	34M250R073G1
HP	.5
VOLTS	230/460
AMP	2.2/1.1
RPM	1725
FRAME	48YZ
SER.F.	1.25
NEMA-NOM-EFF	66
RATING	40C AMB-CONT
CC	
DE	6203
ENCL	TEAO
	SFA 2.4/1.2
	CODE M
	DES B
	CL B
	PF 63
	HZ 60
	PH 3
	USABLE AT 208V 2.3
	ODE 6203
	SN

Parts List		
Part Number	Description	Quantity
SA264743	SA 34M250R073G1	1.000 EA
RA251449	RA 34M250R073G1	1.000 EA
11XT0832G06	8-32 X 3/8 TY 23 TAPPING	1.000 EA
LD5000A52	LEAD ASSY W/INTERNAL STAR RING TERMINALS	1.000 EA
11XT1032A06	10-32 X 3/8 HX WSHR HD SLTD TYPE 23	2.000 EA
34EP3204A01SP	FR ENDPLATE, MACH	1.000 EA
WD4100A01	DP-875 HEYCO PLUG OR 62MP0875 MICRO PLAS	1.000 EA
RM1001A01	GROMMET "MIDSTATES"	1.000 EA
MG1000G27	MED CHARCOAL METALLIC GREY 400-0096	0.014 GA
85XU0407S04	4X1/4 U DRIVE PIN STAINLESS	2.000 EA
RM1000A03	CUSHION RING, MDL 17-33-34	1.000 EA
HA6004A01A	CLAMP CUSHION RING ASSY	1.000 EA
SP1000A09	TERM BOARD, MODEL 34 SW, (RPL SP1000A01)	1.000 EA
HW5100A03	WAVY WASHER (W1543-017)	1.000 EA
34EP3205B01	PU ENDPLATE, MACH	1.000 EA
RM1000A03	CUSHION RING, MDL 17-33-34	1.000 EA
HA6004A01A	CLAMP CUSHION RING ASSY	1.000 EA
XY0832A02	8-32 HEX NUT	4.000 EA
HW1000A08	#8 SAE FLAT WASHER	4.000 EA
34CB4501SP	TERMINAL BOX LID, STAMPED X (PLATED)	1.000 EA
34GS1005	GASKET, TERM PLATE LID	1.000 EA
51XW0832A07	8-32 X .44, TAPTITE II, HEX WSHR SLTD SE	2.000 EA
51XW0832A07	8-32 X .44, TAPTITE II, HEX WSHR SLTD SE	2.000 EA
34BA4001A01SP	RESILIENT BASE, 408-416	1.000 EA

Parts List (continued)		
Part Number	Description	Quantity
HA3169A17	THRUBOLT #8-32 THDS X 8.375" LONG	4.000 EA
LB1118	LABEL,WARNING (ROLL LABEL)	1.000 EA
MN416A01	TAG-INSTAL-MAINT no wire (1200/bx) 5/18	1.000 EA
LC0007	CONNECTION LABEL	1.000 EA
NP1257L	ALUM UL CSA CC THERMAL REV MTG	1.000 EA
35PA1000	PKG GRP, PRINT PK1008A06	1.000 EA

AC Induction Motor Performance Data

Record # 42463 - Typical performance - not guaranteed values

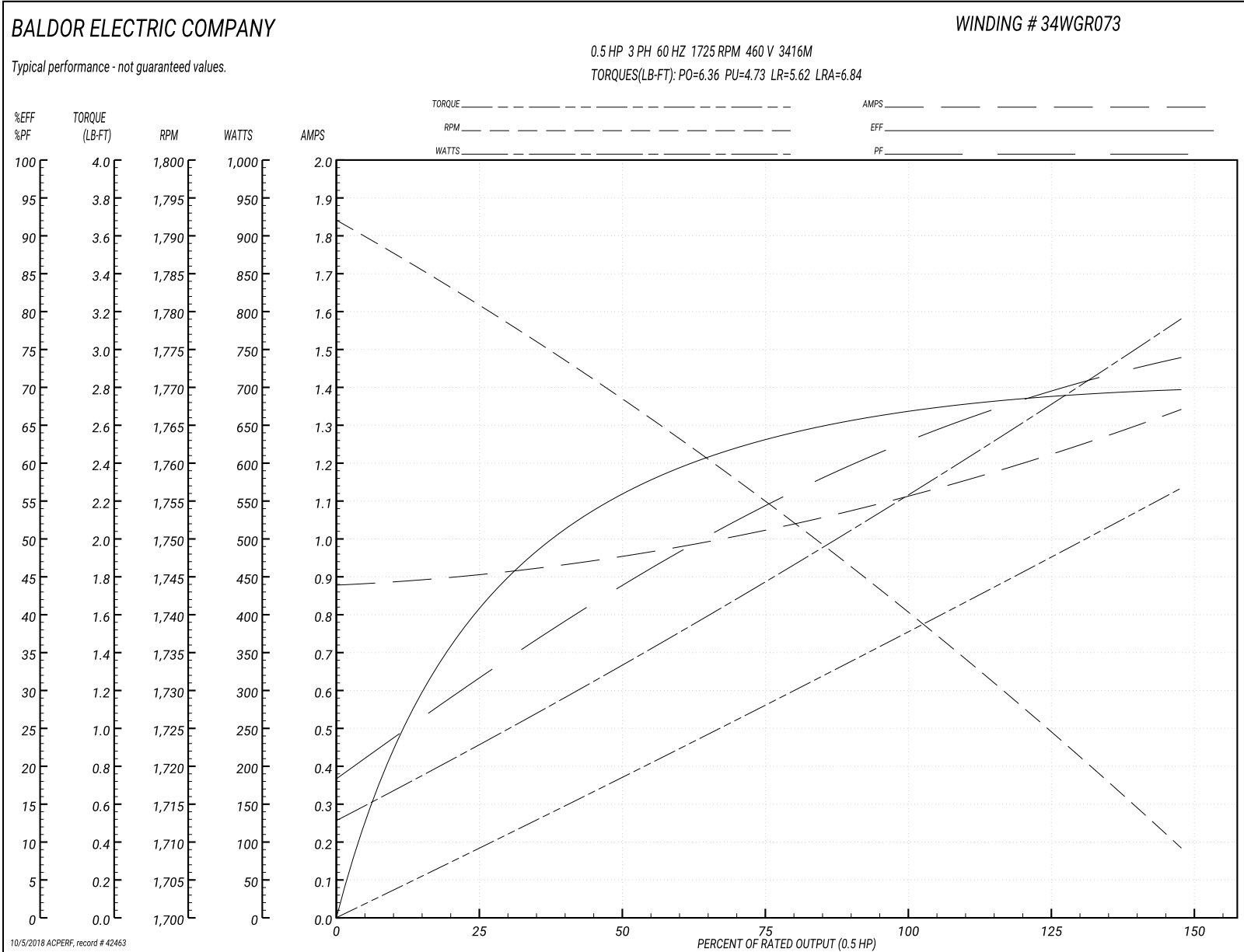
Winding: 34WGR073-R001	Type: 3416M	Enclosure: TEAO
-------------------------------	--------------------	------------------------

Nameplate Data				460 V, 60 Hz: High Voltage Connection	
Rated Output (HP)	.5 AIR OVER			Full Load Torque	1.53 LB-FT
Volts	230/460			Start Configuration	direct on line
Full Load Amps	2.2/1.1			Breakdown Torque	6.36 LB-FT
R.P.M.	1725			Pull-up Torque	4.73 LB-FT
Hz	60	Phase	3	Locked-rotor Torque	5.62 LB-FT
NEMA Design Code	B	KVA Code	M	Starting Current	6.84 A
Service Factor (S.F.)	1.25			No-load Current	0.883 A
NEMA Nom. Eff.	66	Power Factor	63	Line-line Res. @ 25°C	34.071 Ω
Rating - Duty	40C AMB-CONT			Temp. Rise @ Rated Load	
S.F. Amps	2.4/1.2			Temp. Rise @ S.F. Load	
				Locked-rotor Power Factor	66
				Rotor inertia	0.0381 LB-FT ²

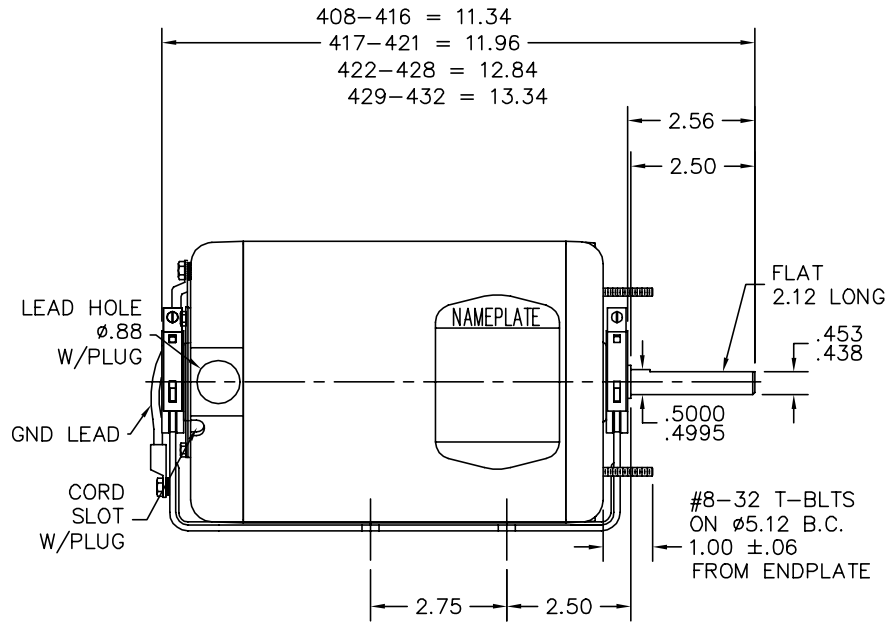
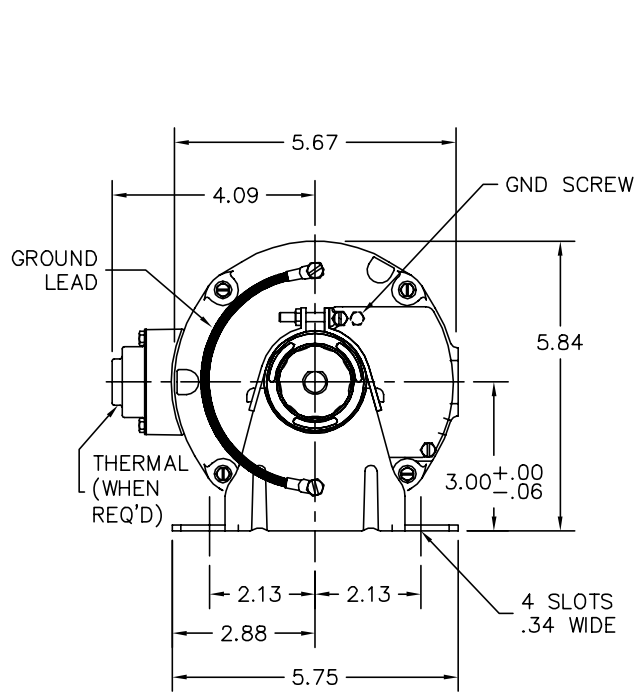
Load Characteristics 460 V, 60 Hz, 0.5 HP

% of Rated Load	25	50	75	100	125	150	S.F.
Power Factor	32	45	54	63	69	74	69
Efficiency	41.7	55.9	63.3	67	69.3	69.8	69.3
Speed	1781.1	1767.1	1754.9	1739.5	1725.4	1709	1725
Line amperes	0.899	0.954	1.03	1.12	1.22	1.34	1.22

Performance Graph at 460V, 60Hz, 0.5HP Typical performance - Not guaranteed values



34LYM250



CUSTOMER IS RESPONSIBLE FOR DETERMINING THAT BALDOR'S PRODUCT WILL PERFORM SUITABLY IN THE INTENDED APPLICATION.

REV. DESC: CHG'D RESILIENT RING HARDWARE TO FACE THE SAME WAY		
REV. LTR: B	VERSION: 02	TDR: 000001067587
FILE: \AAA\00200\715	REVISED: 09:22:35 04/12/2018	BY: ENJFDO
MTL: -	☉ □	

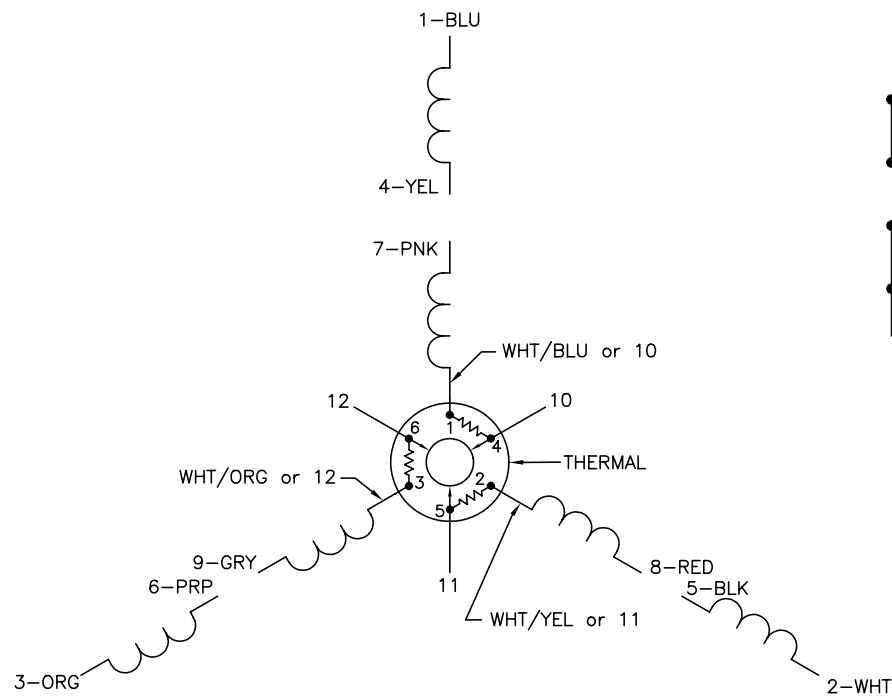
BALDOR - RELIANCE®

RESIL 34M NEMA 48YZ TEAO W/EXTENDED T-BOLTS, 5.12 B.C.

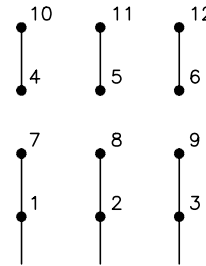
SH 1 of 1

34LYM250

CD0007

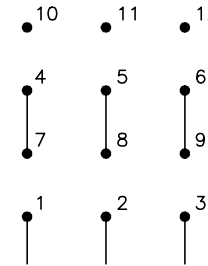


LOW VOLTAGE
(2Y)



LINE

HIGH VOLTAGE
(1Y)



LINE

NOTES:

1. INTERCHANGE ANY TWO LINE LEADS TO REVERSE ROTATION.
2. ACTUAL NUMBER OF INTERNAL PARALLEL CIRCUITS MAY VARY.
3. LEAD COLORS ARE OPTIONAL. LEADS MUST ALWAYS BE NUMBERED AS SHOWN.

REV. DESC: ADDED "CK" PLANT CODE			
REV. LTR: E	BY: EAH	REVISED: 05/06/99 17:1	TDR: 0181040
L00000		FILE: AAA00008370	MDL: -
		MTL: -	

BALDOR ELECTRIC Co.

3PH, DV, THERMAL, 12 LEADS

CD0007