

BALDOR® • RELIANCE 

Product Information Packet

CFM3036A

.5HP,1140RPM,3PH,60HZ,48YZ,3418M,OPEN,F1

Part Detail							
Revision:	T	Status:	PRD/A	Change #:		Proprietary:	No
Type:	AC	Elec. Spec:	34WGW529	CD Diagram:	CD0007	Mfg Plant:	
Mech. Spec:	34J288	Layout:	34LYJ288	Poles:	06	Created Date:	
Base:	N	Eff. Date:	07-10-2018	Leads:	12#18		

Specs			
Catalog Number:	CFM3036A	Insulation Class:	F
Enclosure:	OPEN	Inverter Code:	Not Inverter
Frame:	48YZ	KVA Code:	J
Frame Material:	Steel	Lifting Lugs:	No Lifting Lugs
Output @ Frequency:	.500 HP @ 60 HZ	Locked Bearing Indicator:	No Locked Bearing
Synchronous Speed @ Frequency:	1200 RPM @ 60 HZ	Motor Lead Quantity/Wire Size:	12 @ 18 AWG
Voltage @ Frequency:	208.0 V @ 60 HZ	Motor Lead Exit:	Terminal Panel Or Lead Hole
	230.0 V @ 60 HZ	Motor Lead Termination:	Flying Leads
	460.0 V @ 60 HZ	Motor Type:	3418M
XP Class and Group:	None	Mounting Arrangement:	F1
XP Division:	Not Applicable	Power Factor:	55
Agency Approvals:	UR	Product Family:	General Purpose
	CSA	Pulley End Bearing Type:	Ball
Auxillary Box:	No Auxillary Box	Pulley Face Code:	Terminal Panel
Auxillary Box Lead Termination:	None	Pulley Shaft Indicator:	Key And Flat
Base Indicator:	No Mounting	Rodent Screen:	None
Bearing Grease Type:	Polyrex EM (-20F +300F)	Shaft Extension Location:	Pulley End
Blower:	None	Shaft Ground Indicator:	No Shaft Grounding

Current @ Voltage:	1.200 A @ 460.0 V	Shaft Rotation:	Reversible
	2.400 A @ 230.0 V	Shaft Slinger Indicator:	No Slinger
	2.500 A @ 208.0 V	Speed Code:	Single Speed
Design Code:	B	Motor Standards:	NEMA
Drip Cover:	No Drip Cover	Starting Method:	Direct on line
Duty Rating:	CONT	Thermal Device - Bearing:	NONE (OLD)
Electrically Isolated Bearing:	Not Electrically Isolated	Thermal Device - Winding:	None
Feedback Device:	NO FEEDBACK	Vibration Sensor Indicator:	No Vibration Sensor
Front Face Code:	Standard	Winding Thermal 1:	Automatic Thermal Overload
Front Shaft Indicator:	None	Winding Thermal 1 Location:	SB
Heater Indicator:	No Heater	Winding Thermal 2:	None

Nameplate NP1257L	
CAT.NO.	CFM3036A
SPEC.	34J288W529G1
HP	.5
VOLTS	208-230/460
AMP	2.5-2.4/1.2
RPM	1140
FRAME	48YZ
HZ	60
PH	3
SER.F.	1.00
CODE	J
DES	B
CL	F
NEMA-NOM-EFF	72
PF	55
RATING	60C AMB-CONT
CC	USABLE AT 208V 2.5
DE	6203
ODE	6203
ENCL	OPEN
SN	

Parts List		
Part Number	Description	Quantity
SA081426	SA 34J288W529G1	1.000 EA
RA074788	RA 34J288W529G1	1.000 EA
TPMYJ68KX	THERMAL 3PH 0.75 AUT 120C	1.000 EA
SP1000A09	TERM BOARD, MODEL 34 SW, (RPL SP1000A01)	1.000 EA
11XT0832G06	8-32 X 3/8 TY 23 TAPPING	1.000 EA
34EP3200A01SP	FR ENDPLATE, MACH	1.000 EA
MJ5004A05	#242-21 LOCTITE GENERAL PURPOSE MED. STR	0.010 EA
HW5100A03	WAVY WASHER (W1543-017)	1.000 EA
34EP3204B18	FR/PU ENDPLATE, MACH 17 FRAME W/.5 NPT L	1.000 EA
HA6001A01	THERMAL RETAINER (PLATED)	1.000 EA
NS2500A01	INSULATOR, AUTO THER PROT	1.000 EA
51XB1214A10	12-14 X 5/8HX WS SL SR TYBX	2.000 EA
XY1032A02	10-32 HEX NUT DIRECTIONAL SERRATION	4.000 EA
HW1000A10	#10 FLAT WASHER (SAE)	4.000 EA
HW2501B32	KEY, 1/8 SQ X 3.75	1.000 EA
HA7000A08	KEY RETAINER RING FOR 1/2" DIA SHAFTS	1.000 EA
34CB4501SP	TERMINAL BOX LID, STAMPED X (PLATED)	1.000 EA
34GS1018	GASKET, TERM PLATE LID BLACK NEOPRENE	1.000 EA
51XW0832A07	8-32 X .44, TAPTITE II, HEX WSHR SLTD SE	2.000 EA
51XW0832A07	8-32 X .44, TAPTITE II, HEX WSHR SLTD SE	2.000 EA
HA1041A01	CUPPED SLINGER KENCO	1.000 EA
10XN2520A06	1/4 20X3/8 HX HD CAP	3.000 EA
MG1000G27	MED CHARCOAL METALLIC GREY 400-0096	0.014 GA
85XU0407S04	4X1/4 U DRIVE PIN STAINLESS	2.000 EA

Parts List (continued)		
Part Number	Description	Quantity
HA3100A15	THRUBOLT 10-32 X 8.375	4.000 EA
MN416A01	TAG-INSTAL-MAINT no wire (1200/bx) 5/18	1.000 EA
LB1118	LABEL,WARNING (ROLL LABEL)	1.000 EA
LC0007	CONNECTION LABEL	1.000 EA
NP1257L	ALUM UL CSA CC THERMAL REV MTG	1.000 EA
PK3083T	STYROFOAM PACKING CRADLE	1.000 EA
PK3085X	FOAM SHAFT SUPPORT PRECUT 4-1/4 X 6-3/4	1.000 EA
27PA1001	PKG GRP, PRINT PK1027A06	1.000 EA
PK3088	MICROFOAM, 8"X"8 PERF. SHEETS 5,400/RL	1.000 EA

AC Induction Motor Performance Data

Record # 50780 - Typical performance - not guaranteed values

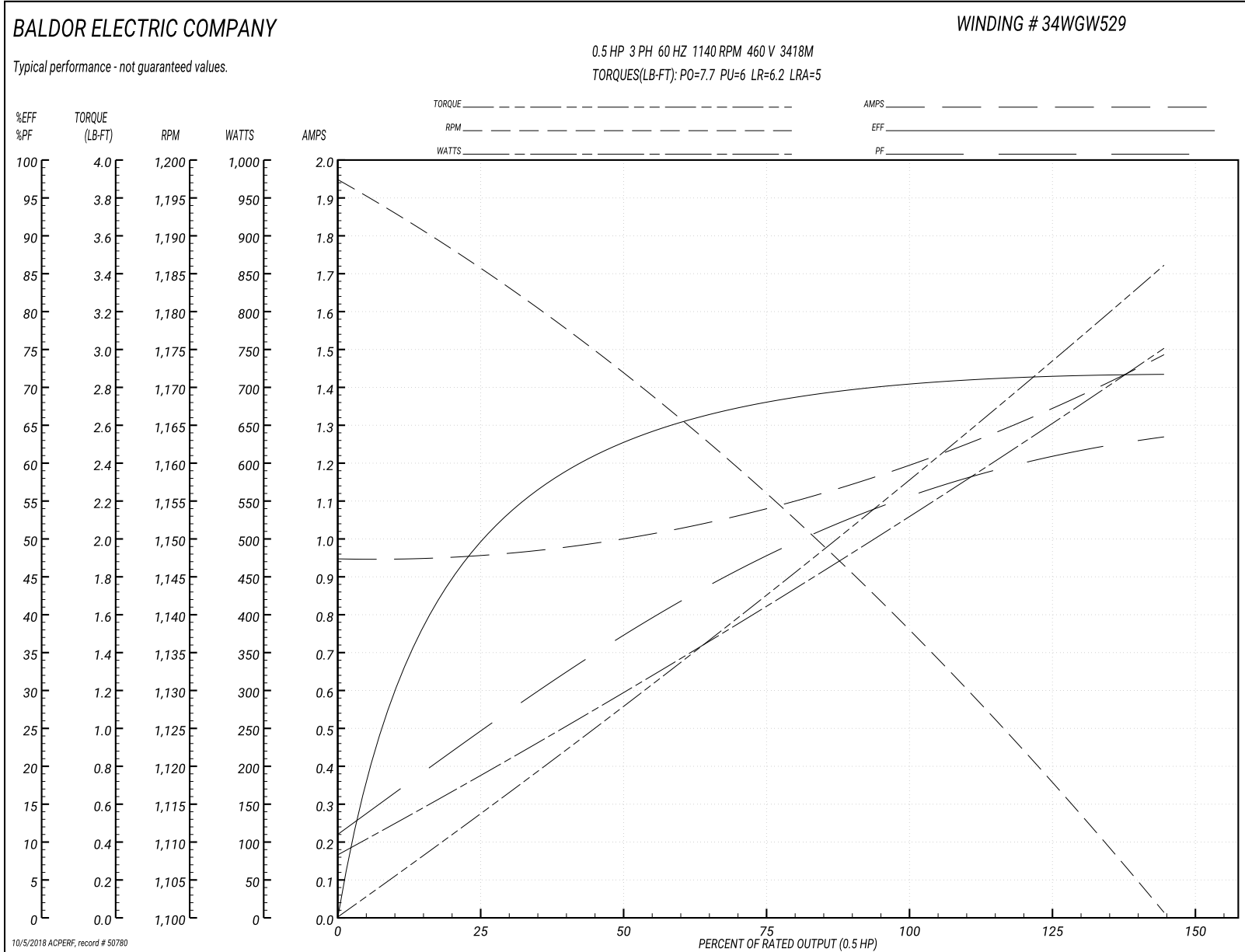
Winding: 34WGW529-R002	Type: 3418M	Enclosure: OPEN
-------------------------------	--------------------	------------------------

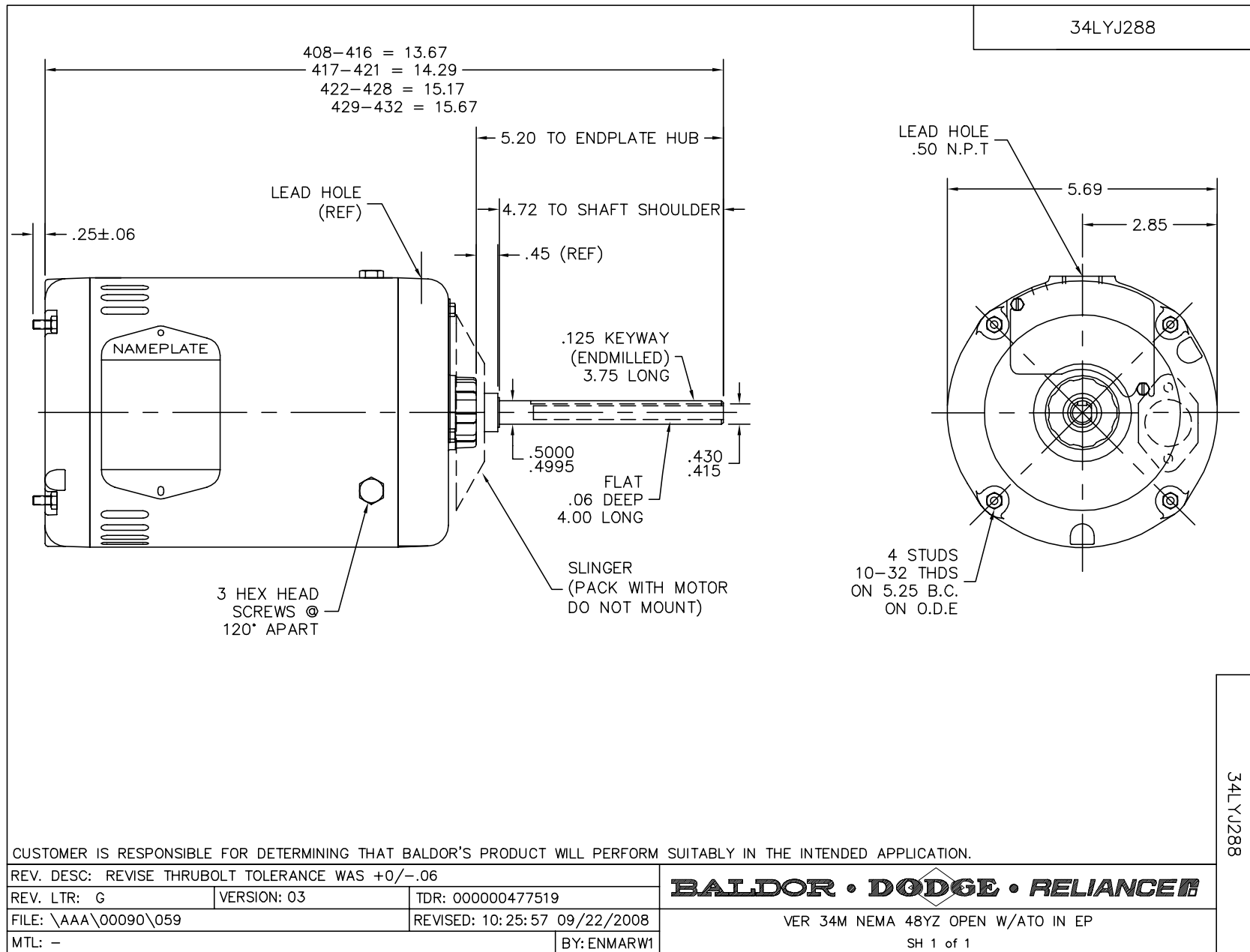
Nameplate Data				460 V, 60 Hz: High Voltage Connection	
Rated Output (HP)	.5			Full Load Torque	2.3 LB-FT
Volts	208-230/460			Start Configuration	direct on line
Full Load Amps	2.5-2.4/1.2			Breakdown Torque	7.7 LB-FT
R.P.M.	1140			Pull-up Torque	6 LB-FT
Hz	60	Phase	3	Locked-rotor Torque	6.2 LB-FT
NEMA Design Code	B	KVA Code	J	Starting Current	5 A
Service Factor (S.F.)	1			No-load Current	0.95 A
NEMA Nom. Eff.	72	Power Factor	55	Line-line Res. @ 25°C	39.6 Ω
Rating - Duty	40C AMB-CONT			Temp. Rise @ Rated Load	

Load Characteristics 460 V, 60 Hz, 0.5 HP

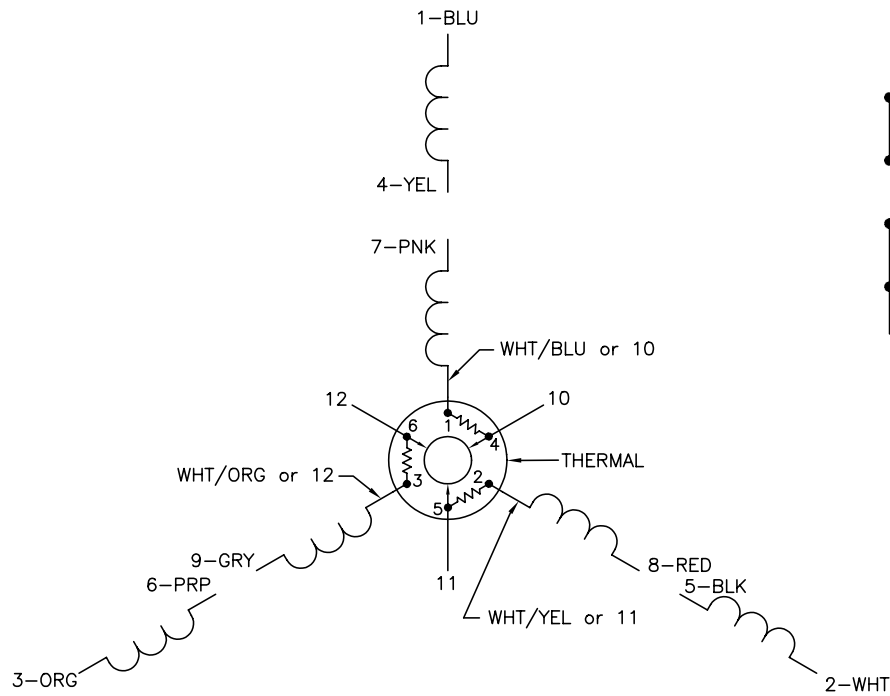
% of Rated Load	25	50	75	100	125	150
Power Factor	20	34	45	55	62	68
Efficiency	48	63	67	72	72	71
Speed	1185	1170	1155	1140	1120	1100
Line amperes	0.95	1	1.1	1.2	1.3	1.5

Performance Graph at 460V, 60Hz, 0.5HP Typical performance - Not guaranteed values

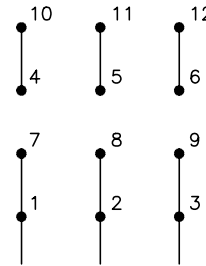




CD0007

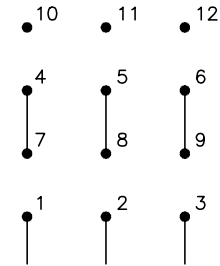


LOW VOLTAGE
(2Y)



LINE

HIGH VOLTAGE
(1Y)



LINE

NOTES:

1. INTERCHANGE ANY TWO LINE LEADS TO REVERSE ROTATION.
2. ACTUAL NUMBER OF INTERNAL PARALLEL CIRCUITS MAY VARY.
3. LEAD COLORS ARE OPTIONAL. LEADS MUST ALWAYS BE NUMBERED AS SHOWN.

REV. DESC: ADDED "CK" PLANT CODE			
REV. LTR: E	BY: EAH	REVISED: 05/06/99 17:1	TDR: 0181040
L00000		FILE: AAA00008370	MDL: -
		MTL: -	

BALDOR ELECTRIC Co.

3PH, DV, THERMAL, 12 LEADS

CD0007