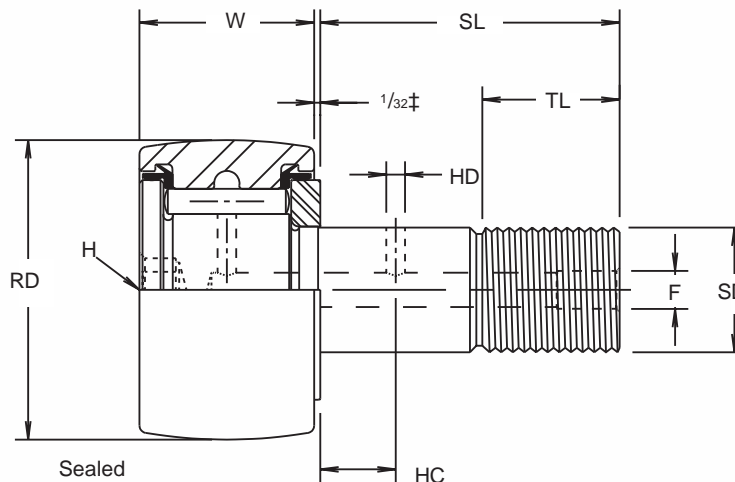


**CCF-SB SERIES**

**Cam followers with crowned O.D.s, hex holes, and LUBRI-DISC® seals**



See page 15 for hex wrench sizes.  
See page 14 for crown details.



BRG. NO.	ROLLER DIA. (RD) +.000 -.001	ROLLER WIDTH (W) +.000 -.005	STUD DIA. (SD) +.001 -.000	STUD L'GTH. (SL)	MIN. THR'D L'GTH. (TL)	FINE THR'DS.	OIL HOLE		LUB. FITTING SIZE (F)	MIN. BOSS DIA.	HOUSING BORE DIA. +.0002 -.0003	***RECOM. CLAMPING TORQUE LBS.-IN.	MAX. STATIC CAPACITY LBS.	BASIC DYN. RATING LBS.
							HOLE CENTER (HC)	HOLE DIA. (HD)						
CCF-1/2-N-SB	.500	.344	.190	1/2	1/4	10-32	-	-	-	19/64	.1903	15	720	620
CCF-1/2-SB	.500	.375	.190	5/8	1/4	10-32	-	-	-	19/64	.1903	15	790	680
CCF-9/16-SB	.5625	.375	.190	5/8	1/4	10-32	-	-	-	19/64	.1903	15	790	680
CCF-5/8-N-SB	.625	.406	.250	5/8	5/16	1/4-28	-	-	-	23/64	.2503	35	1085	930
CCF-5/8-SB	.625	.4375	.250	3/4	5/16	1/4-28	-	-	-	23/64	.2503	35	1215	955
CCF-11/16-SB	.6875	.4375	.250	3/4	5/16	1/4-28	-	-	-	23/64	.2503	35	1215	955
CCF-3/4-SB	.750	.500	.375	7/8	3/8	3/8-24	1/4	3/32	3/16	1/2	.3753	95	2065	1660
CCF-7/8-SB	.875	.500	.375	7/8	3/8	3/8-24	1/4	3/32	3/16	1/2	.3753	95	2065	1660
CCF-1-SB	1.000	.625	.4375	1	1/2	7/16-20	1/4	3/32	3/16	41/64	.4378	250	3060	2225
CCF-1 1/8-SB	1.125	.625	.4375	1	1/2	7/16-20	1/4	3/32	3/16	41/64	.4378	250	3060	2225
CCF-1 1/4-SB	1.250	.750	.500	1 1/4	5/8	1/2-20	5/16	3/32	3/16	49/64	.5003	350	4250	3930
CCF-1 3/8-SB	1.375	.750	.500	1 1/4	5/8	1/2-20	5/16	3/32	3/16	49/64	.5003	350	4250	3930
CCF-1 1/2-SB	1.500	.875	.625	1 1/2	3/4	5/8-18	3/8	3/32	3/16	57/64	.6253	650	5640	4840
CCF-1 5/8-SB	1.625	.875	.625	1 1/2	3/4	5/8-18	3/8	3/32	3/16	57/64	.6253	650	5640	4840
CCF-1 3/4-SB	1.750	1.000	.750	1 3/4	7/8	3/4-16	7/16	3/32	3/16	1 3/64	.7503	1250	7920	6385
CCF-1 7/8-SB	1.875	1.000	.750	1 3/4	7/8	3/4-16	7/16	3/32	3/16	1 3/64	.7503	1250	7920	6385
CCF-2-SB	2.000	1.250	.875	2	1	7/8-14	1/2	1/8	3/16	1 13/64	.8753	1500	10570	8090
CCF-2 1/4-SB	2.250	1.250	.875	2	1	7/8-14	1/2	1/8	3/16	1 13/64	.8753	1500	10570	8090
CCF-2 1/2-SB	2.500	1.500	1.000	2 1/4	1 1/8	1-14	9/16	1/8	3/16	1 5/16	1.0003	2250	16450	11720
CCF-2 3/4-SB	2.750	1.500	1.000	2 1/4	1 1/8	1-14	9/16	1/8	3/16	1 5/16	1.0003	2250	16450	11720
CCF-3-SB	3.000	1.750	1.250	2 1/2	1 1/4	1 1/4-12	5/8	1/8	① 1/4	1 3/4	1.2503	3450	24910	15720
CCF-3 1/4-SB	3.250	1.750	1.250	2 1/2	1 1/4	1 1/4-12	5/8	1/8	① 1/4	1 3/4	1.2503	3450	24910	15720
CCF-3 1/2-SB	3.500	2.000	1.375	2 3/4	1 3/8	1 3/8-12	11/16	1/8	① 1/4	1 59/64	1.3753	4200	31625	22800
CCF-4-SB	4.000	2.250	1.500	3 1/2	1 1/2	1 1/2-12	3/4	1/8	① 1/4	2 9/32	1.5003	5000	44770	29985

\*\*\* Clamping torque is based on dry threads. If threads are lubricated, use half of values shown.  
① Lubrication hole (F) at bottom of hex hole and 1/4 inch straight drive fitting with ball check supplied but not installed.  
Hex hole standard on sizes above CCF-4-SB.  
See page 21 for bearing dimensions.