



15 Amp Countertop Receptacles

Description	Finish	Color/Material	Surface Mount	Flush Mount
15A 125V Tamper-Resistant Pop-Up Kitchen Counter Receptacle, Rated for 20A circuits	Brushed	Aluminum Brass Nickel	RCT200ALU RCT200BR RCT200NI	RCT201ALU RCT201BR RCT201NI
	Polished	Chrome	RCT200CH	RCT201CH
	Powder Coated	Bronze Matte Black Matte White Matte	RCT200BZE RCT200BK RCT200W	RCT201BZE RCT201BK RCT201W



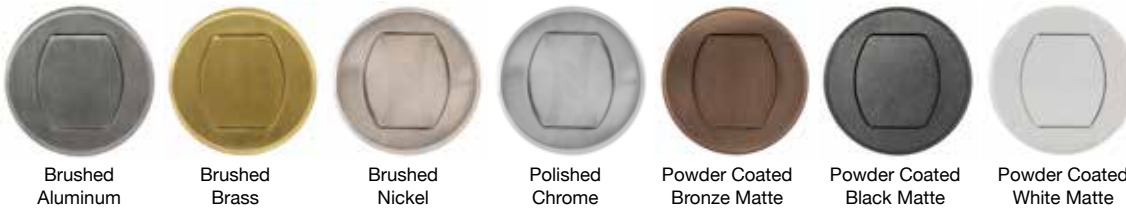
RCT200BK



RCT221ALU

20 Amp Countertop Receptacles

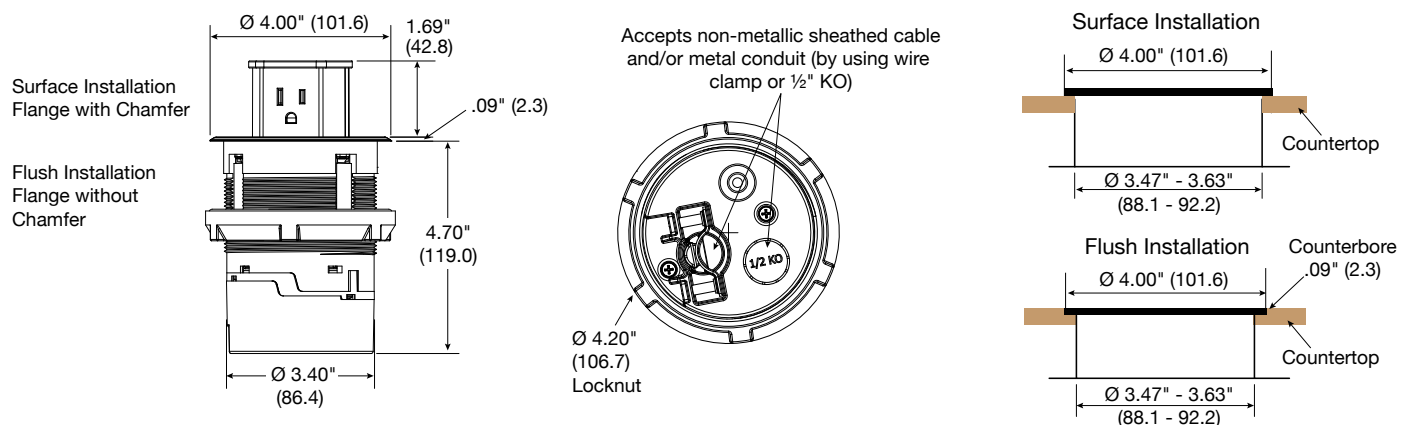
Description	Finish	Color/Material	Surface Mount	Flush Mount
20A 125V Tamper-Resistant Pop-Up Kitchen Counter Receptacle.	Brushed	Aluminum Brass Nickel	RCT220ALU RCT220BR RCT220NI	RCT221ALU RCT221BR RCT221NI
	Polished	Chrome	RCT220CH	RCT221CH
	Powder Coated	Bronze Matte Black Matte White Matte	RCT220BZE RCT220BK RCT220W	RCT221BZE RCT221BK RCT221W



Specifications

Performance		Materials	
Configuration	15/20 amp 125 volt, tamper-resistant receptacle	Cover and Flange	Die cast aluminum
Circuit Rating	20 amp non-feed through	Main Body	Engineered thermoplastic PBT
Listings	cULus Listed to UL498, Section 145 Mechanical Load Test, 146 Spill Test	Wiring Chamber	Die cast aluminum
Dielectric Voltage	Withstands 2,000V minimum	Water Seals	Elastomers and silicon
Terminal Accommodation	#14-#12 AWG copper stranded or solid conductor only		
Terminal Identification	Terminals identified in accordance with UL 498 and CSA		
Flammability	UL 94V-2		
Operating Temperature	Maximum continuous 75°C, minimum -40°C (w/o impact)		

Product Dimensions Inches (mm)



Note: Recommended to be fed by a GFCI circuit, up to 20 Amp Service.