

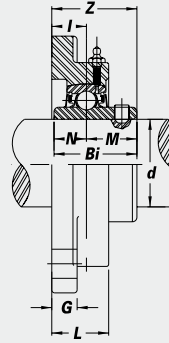
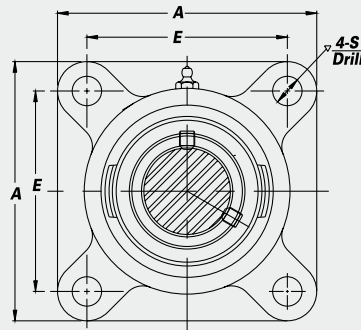
Thermoplastic 4-Bolt Flanges

With optional bearing inserts:
Stainless Steel-SUCTF
Hard Chrome Coated-CUCTF
Black Oxide-BUCTF



B-type Seal

- End Caps Available
- Overview of corrosion resistant products – pg. 52



CORROSION RESISTANT

Unit No.	Shaft Dia.	Dimensions (in. (mm))											Bolt Used (in.)	Bearing No.	Housing No.	Weight (lbs.)
	d	A	E	I	G	L	S	Z	Bi	N	M					

SUCTF with Stainless Steel Bearing Inserts

SUCTF 201-8	1/2																SUC 201-8		
202-10	5/8	3 3/8	2 1/2	2 3/32	1 7/32	1 3/32	7/16	1 7/16	1.2205	0.5000	0.7205	3/8					202-10		
204-12	3/4	86	64	18	13	28	11	36.5	31.0	12.7	18.3						204-12	TF 204	.7
204	20																204		
SUCTF 205-14	7/8																SUC 205-14		
205	25	3 3/4	2 3/4	4 3/64	9/16	1 3/32	7/16	1 7/16	1.3386	0.5630	0.7756	3/8					205	TF 205	.8
205-16	1	95	70	17	14	28	11	36.5	34.0	14.3	19.7						205-16		
SUCTF 206-18	1 1/8																SUC 206-18		
206	30	4 1/4	3 1/4	3/4	9/16	1 1/4	7/16	1 5/8	1.5000	0.6260	0.8740	3/8					206	TF 206	1.1
206-19	1 3/16	108	83	19	14	32	11	41.3	38.1	15.9	22.2						206-19		
206-20	1 1/4 S																206-20		
SUCTF 207-20	1 1/4																SUC 207-20		
207-21	1 5/16																207-21		
207-22	1 3/8	35	4 21/32	3 5/8	2 1/32	5/8	1 3/8	3 3/64	1 27/32	1.6890	0.6890	1.0000	7/16				207-22	TF 207	1.7
207			118	92	21	16	35	13	46.8	42.9	17.5	25.4					207		
207-23	1 7/16																207-23		
SUCTF 208-24	1 1/2																SUC 208-24		
208	40	5 1/8	4	2 9/32	2 1/32	1 15/32	3 5/64	2 3/32	1.9370	0.7480	1.1890	1/2					208	TF 208	2.2

CUCTF with Hard Chrome Coated Bearing Inserts

CUCTF 204-12	3/4																CUC 204-12		
204	20	3 3/8	2 1/2	2 3/32	1 7/32	1 3/32	7/16	1 7/16	1.2205	0.5000	0.7205	3/8					204	TF 204	.7
CUCTF 205-14	7/8																CUC 205-14		
205	25	3 3/4	2 3/4	4 3/64	9/16	1 3/32	7/16	1 7/16	1.3386	0.5630	0.7756	3/8					205	TF 205	.8
205-16	1	95	70	17	14	28	11	36.5	34.0	14.3	19.7						205-16		
CUCTF 206-18	1 1/8																CUC 206-18		
206	30	4 1/4	3 1/4	3/4	9/16	1 1/4	7/16	1 5/8	1.5000	0.6260	0.8740	3/8					206	TF 206	1.1
206-19	1 3/16	108	83	19	14	32	11	41.3	38.1	15.9	22.2						206-19		
206-20	1 1/4 S																206-20		
CUCTF 207-20	1 1/4																CUC 207-20		
207-22	1 3/8	35	4 21/32	3 5/8	2 1/32	5/8	1 3/8	3 3/64	1 27/32	1.6890	0.6890	1.0000	7/16				207-22	TF 207	1.7
207			118	92	21	16	35	13	46.8	42.9	17.5	25.4					207		
207-23	1 7/16																207-23		
CUCTF 208-24	1 1/2																CUC 208-24		
208	40	5 1/8	4	2 9/32	2 1/32	1 15/32	3 5/64	2 3/32	1.9370	0.7480	1.1890	1/2					208	TF 208	2.2

BUCTF with Black Oxide Bearing Inserts

BUCTF 201-8	1/2																BUC 201-8		
202-10	5/8	3 3/8	2 1/2	2 3/32	1 7/32	1 3/32	7/16	1 7/16	1.2205	0.5000	0.7205	3/8					202-10		
204-12	3/4	86	64	18	13	28	11	36.5	31.0	12.7	18.3						204-12	TF 204	.7
204	20																204		
BUCTF 205-14	7/8																BUC 205-14		
205	25	3 3/4	2 3/4	4 3/64	9/16	1 3/32	7/16	1 7/16	1.3386	0.5630	0.7756	3/8					205	TF 205	.8
205-16	1	95	70	17	14	28	11	36.5	34.0	14.3	19.7						205-16		
BUCTF 206-18	1 1/8																BUC 206-18		
206	30	4 1/4	3 1/4	3/4	9/16	1 1/4	7/16	1 5/8	1.5000	0.6260	0.8740	3/8					206	TF 206	1.1
206-19	1 3/16	108	83	19	14	32	11	41.3	38.1	15.9	22.2						206-19		
206-20	1 1/4 S																206-20		
BUCTF 207-20	1 1/4																BUC 207-20		
207-22	1 3/8	35	4 21/32	3 5/8	2 1/32	5/8	1 3/8	3 3/64	1 27/32	1.6890	0.6890	1.0000	7/16				207-22	TF 207	1.7
207			118	92	21	16	35	13	46.8	42.9	17.5	25.4					207		
207-23	1 7/16																207-23		
BUCTF 208-24	1 1/2																BUC 208-24		
208	40	5 1/8	4	2 9/32	2 1/32	1 15/32	3 5/64	2 3/32	1.9370	0.7480	1.1890	1/2					208	TF 208	2.2