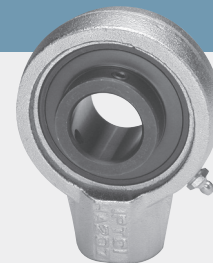


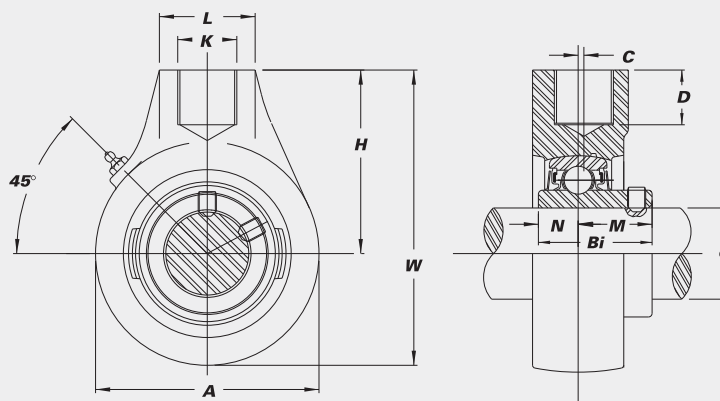
Nickel Plated Hanger Units



B-type Seal

With Black Oxide Bearing Inserts-BUCNPHA

- B-type Seals
- Overview of corrosion resistant products – pg. 48



CORROSION RESISTANT

Unit No.	Shaft Dia.		Dimensions (in.) (mm)									Bearing No.	Housing No.	Weight (lbs.)	
	<i>d</i>	<i>d</i>	<i>A</i>	<i>W</i>	<i>C</i>	<i>H</i>	<i>L</i>	<i>D</i>	<i>K</i>	<i>Bi</i>	<i>N</i>				<i>M</i>
BUCNPHA 201-8	1/2												BUC 201-8		
202-10	5/8	2 ^{33/64}	3 ^{25/32}	0	2 ^{33/64}	1 ^{9/16}	3/4	PF 3/4	1.2205	0.5000	0.7205		202-10	NPHA 204	1.7
204-12	3/4	64	96		64	40	19.1	-14	31.0	12.7	18.3		204-12		
204	20												204		
BUCNPHA 205-14	7/8												BUC 205-14	NPHA 205	1.9
205	25	3 ^{1/16}	4 ^{1/16}	0	2 ^{33/64}	1 ^{9/16}	3/4	PF 3/4	1.3386	0.5630	0.7756		205		
205-16	1	78	103		64	40	19.1	-14	34.0	14.3	19.7		205-16		
BUCNPHA 206-18	1 1/8												BUC 206-18	NPHA 206	1.9
206	30	3 ^{5/32}	4 ^{3/32}	0	2 ^{33/64}	1 ^{9/16}	3/4	PF 3/4	1.5000	0.6260	0.8740		206		
206-19	1 3/16	80	104		64	40	19.1	-14	38.1	15.9	22.2		206-19		
206-20	1 1/4 S												206-20		
BUCNPHA 207-20	1 1/4												BUC 207-20	NPHA 207	2.6
207-22	35	3 ^{5/8}	4 ^{9/16}	0	2 ^{3/4}	1 ^{9/16}	3/4	PF 3/4	1.6890	0.6890	1.0000		207-22		
207	92	116		70	40	19.1		-14	42.9	17.5	25.4		207		
207-23	1 7/16												207-23		
BUCNPHA 208-24	1 1/2												BUC 208-24	NPHA 208	3.4
208	40	3 ^{15/16}	4 ^{27/32}	5/64	2 ^{7/8}	1 ^{9/16}	3/4	PF 3/4	1.9370	0.7480	1.1890		208		
BUCNPHA 209-26	1 5/8												BUC 209-26	NPHA 209	3.9
209-27	45	4 ^{1/4}	5 ^{11/32}	13/64	3 ^{15/64}	1 ^{7/8}	13/16	PF 1	1.9370	0.7480	1.1890		209-27		
209-28	1 3/4	108	136	5	82	48	21	-11 1/2	49.2	19.0	30.2		209-28		
209													209		
BUCNPHA 210-30	1 7/8												BUC 210-30	NPHA 210	4.6
210-31	50	4 ^{21/32}	5 ^{19/32}	13/64	3 ^{17/64}	1 ^{7/8}	13/16	PF 1	2.0315	0.7480	1.2835		210-31		
210	118	142	5	83	48	21		-11 1/2	51.6	19.0	32.6		210		
210-32	2 S												210-32		
UCXNPHA* 211	55	5 ^{19/32}	6 ^{13/16}	23/64	4 ^{1/64}	2 ^{9/8}	1 ^{3/32}	PF 1 1/4	2.5630	1.0000	1.5630		UCX 11	NPHA 212	8.5
211-35	142	173	9	102	60	28		-11 1/2	65.1	25.4	39.7		211-35		
BUCNPHA 212-36	2 1/4												BUC 212-36	NPHA 212	8.2
212	60	5 ^{19/32}	6 ^{13/16}	23/64	4 ^{1/64}	2 ^{9/8}	1 ^{3/32}	PF 1 1/4	2.5630	1.0000	1.5630		212		
212-39	2 7/16	142	173	9	102	60	28	-11 1/2	65.1	25.4	39.7		212-39		
UCXNPHA* 214-43	2 11/16												UCX 14-43	NPHA 215	13.2
	166	7 ^{7/8}	200	3/8	4 ^{39/64}	2 ^{9/4}	1 1/4	PF 1 1/2	3.0630	1.3110	1.7520				
BUCNPHA 215-47	2 15/16												BUC 215-47	NPHA 215	12.2
215-48	3	166	200	9.5	117	70	32	-11 1/2	77.8	33.3	44.5		215-48		

*Bearing insert is not available in black oxide