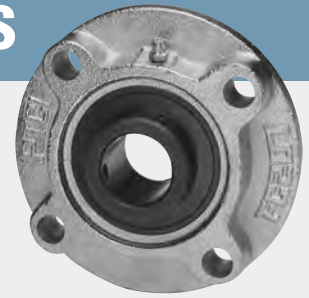


# Nickel Plated Piloted Flanges

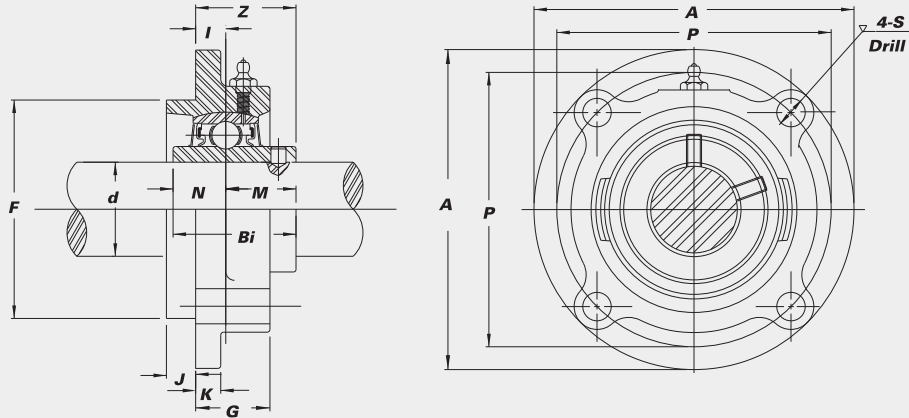


B-type Seal

## With Black Oxide Bearing Inserts-BUCNPFCS

• B-type Seals

• Overview of corrosion resistant products – pg. 48



CORROSION RESISTANT

Unit No.	Shaft Dia.		Dimensions (in.) (mm)											Bolt Used (in.)	Bearing No.	Housing No.	Weight (lbs.)	
	d (in.) (mm)	A	P	S	J	K	G	F	I	Z	Bi	N	M					
BUCNPFCS 206-18	1 1/8	30	4 3/8	3 5/8	3/8	15/64	3/8	15/16	3.000	25/64	1 9/32	1.5000	0.6260	0.8740	5/16	BUC 206-18	NPFC X05	2.6
206	1 3/16	111	92	9.5	6.0	9.5	24.0	76.2	10	32.2	38.1	15.9	22.2		206-19			
206-20	1 1/4 S														206-20			
BUCNPFCS 207-20	1 1/4	35	5	4 1/8	15/32	3/8	3/8	7/8	3.375	5/16	1 5/16	1.6890	0.6890	1.0000	3/8	BUC 207-20	NPFC X06	3.3
207-22	1 3/8														207-22			
207	1 7/8														207			
207-23	1 7/16														207-23			
BUCNPFCS 208-24	1 1/2	40	5 1/4	4 3/8	15/32	7/16	7/16	1 1/32	3.625	23/64	1 17/32	1.9370	0.7480	1.1890	3/8	BUC 208-24	NPFC X07	4.2
208															208			
BUCNPFCS 209-26	1 5/8	45	5 1/4	4 3/8*	15/32	7/16	7/16	1 1/32	3.625*	23/64	1 17/32	1.9370	0.7480	1.1890	3/8	BUC 209-26	NPFC X08	4.4
209-27	1 11/16														209-27			
209-28	1 3/4														209-28			
209															209			
BUCNPFCS 210-30	1 7/8	50	6 3/32	5 1/8	35/64	15/32	7/16	1	4.250	5/16	1 19/32	2.0315	0.7480	1.2835	7/16	BUC 210-30	NPFC X09	5.7
210-31	1 15/16														210-31			
210															210			
210-32	2 S														210-32			
BUCNPFCS 211-32	2	55	6 3/8	5 3/8	35/64	5/8	7/16	1	4.500	9/32	1 19/32	2.1890	0.8740	1.3150	7/16	BUC 211-32	NPFC X10	7.0
211															211			
211-35	2 3/16														211-35			
BUCNPFCS 212-36	2 1/4	60	7 3/32	6	5/8	55/64	1/2	1 1/32	5.000	5/32	1 23/32	2.5630	1.0000	1.5630	1/2	BUC 212-36	NPFC X11	9.5
212															212			
212-39	2 7/16														212-39			
BUCNPFCS 213-40	2 1/2	194	7 5/8	6 1/2	5/8	25/32	9/16	1 5/16	5.500	7/16	2	2.5630	1.0000	1.5630	1/2	BUC 213-40	NPFC X12	11.7

\* Also available in FCF(209) style housing where P=5 1/8", F=4.250. See pg. 33 for other details.