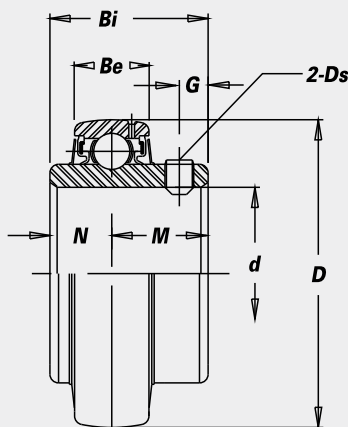


BUC Black Oxide Bearing Inserts



B-type Seal

- Standard duty with set screw lock
- Wide inner race
- B-type Seals



CORROSION RESISTANT

Bearing No.	Bore Dia. of Bearing		Dimensions (in.) (mm)						Basic Load Rating (lbs.)	Basic Static Load Rating (lbs.)	Weight (lbs.)
	<i>d</i>	<i>d</i>	<i>D</i>	<i>Bi</i>	<i>Be</i>	<i>N</i>	<i>M</i>	<i>G</i>			
BUCW 201-8 202-10	1/2 5/8	1.5748 40.0	1.0236 26.0	0.5906 15.0	0.3937 10.0	0.6299 16.0	0.1575 4.0	10-32UNF	2,040	1,020	0.26 0.24
BUC 201-8 202-10 204-12 204	1/2 5/8 3/4	1.8504 47.0	1.2205 31.0	0.6299 16.0	0.5000 12.7	0.7205 18.3	0.1969 5.0	1/4-28UNF	2,740	1,600	0.46 0.42 0.35 0.35
BUC 205-14 205 205-16	7/8 1	2.0472 52.0	1.3386 34.0	0.6693 17.0	0.5630 14.3	0.7756 19.7	0.2165 5.5	1/4-28UNF	3,010	1,750	0.51 0.44 0.44
BUC 206-18 206 206-19 206-20	1 1/8 1 3/16 1 1/4S	2.4409 62.0	1.5000 38.1	0.7480 19.0	0.6260 15.9	0.8740 22.2	0.2362 6.0	1/4-28UNF	4,200	2,430	0.75 0.71 0.71 0.71
BUC 207-20 207-22 207 207-23	1 1/4 1 3/8 1 7/16	2.8346 72.0	1.6890 42.9	0.7874 20.0	0.6890 17.5	1.0000 25.4	0.2559 6.5	5/16-24UNF	5,535	3,340	1.19 1.06 1.06 0.99
BUC 208-24 208	1 1/2	3.1496 80.0	1.9370 49.2	0.8268 21.0	0.7480 19.0	1.1890 30.2	0.3150 8.0	5/16-24UNF	6,375	3,960	1.50 1.41
BUC 209-26 209-27 209-28 209	1 5/8 1 11/16 1 3/4	3.3465 85.0	1.9370 49.2	0.8661 22.0	0.7480 19.0	1.1890 30.2	0.3150 8.0	5/16-24UNF	7,110	4,460	1.72 1.63 1.54 1.50
BUC 210-30 210-31 210 210-32	1 7/8 1 15/16 2S	3.5433 90.0	2.0315 51.6	0.9449 24.0	0.7480 19.0	1.2835 32.6	0.3543 9.0	3/8-24UNF	7,400	4,910	1.92 1.81 1.76 1.66
BUC 211-32 211 211-35	2 2 3/16	3.9370 100.0	2.1890 55.6	0.9843 25.0	0.8740 22.2	1.3150 33.4	0.3543 9.0	3/8-24UNF	9,490	6,440	2.78 2.45 2.40
BUC 212-36 212 212-39	2 1/4 2 1/16	4.3307 110.0	2.5630 65.1	1.0630 27.0	1.0000 25.4	1.5630 39.7	0.4134 10.5	3/8-24UNF	11,500	7,940	3.68 3.40 3.20
BUC 213-40	2 1/2	4.7244 120.0	2.5630 65.1	1.1024 28.0	1.0000 25.4	1.5630 39.7	0.4724 12.0	1/2-20UNF	12,400	8,760	4.28
BUC 215-47 215-48	2 15/16 3	5.1181 130.0	3.0630 77.8	1.2598 32.0	1.3110 33.3	1.7520 44.5	0.4724 12.0	1/2-20UNF	14,620	10,540	5.02 4.67