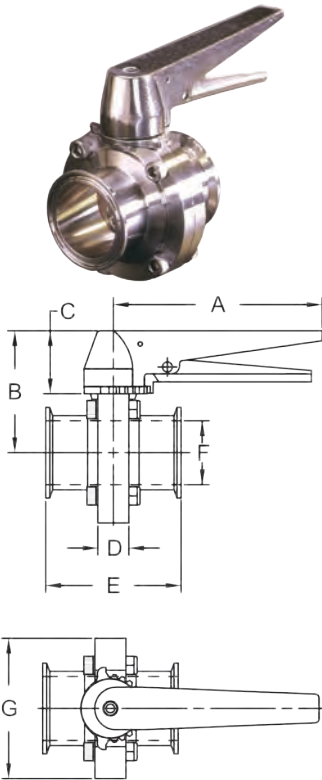


Butterfly Valves

Clamp End **Butterfly Valve with Trigger Handle - [C]**


Feature:

- lockout / tagout handle

Size	316L Stainless Steel with Silicone seats		316L Stainless Steel with FKM seats		316L Stainless Steel with EPDM seats	
	Part #	Price/E	Part #	Price/E	Part #	Price/E
½"	B5101S050CC-C	\$325.05	B5101V050CC-C	\$351.60	B5101E050CC-C	\$319.10
¾"	B5101S075CC-C	325.05	B5101V075CC-C	351.60	B5101E075CC-C	319.10
1"	B5101S100CC-C	305.85	B5101V100CC-C	333.20	B5101E100CC-C	299.90
1½"	B5101S150CC-C	297.50	B5101V150CC-C	340.10	B5101E150CC-C	329.60
2"	B5101S200CC-C	360.30	B5101V200CC-C	421.15	B5101E200CC-C	349.95
2½"	B5101S250CC-C	450.20	B5101V250CC-C	576.45	B5101E250CC-C	427.25
3"	B5101S300CC-C	601.45	B5101V300CC-C	799.45	B5101E300CC-C	583.45
4"	B5101S400CC-C	926.65	B5101V400CC-C	1377.05	B5101E400CC-C	897.65

Size	Dimensions							Break Torque (in. lbs.) silicone	Break Torque (in. lbs.) FKM	Break Torque (in. lbs.) EPDM	PSI @ 68°F
	A	B	C	D	E	F	G				
½"	6.6"	3.0"	1.7"	0.9"	3.5"	.37"	3.1"	20	70	75	140
¾"	6.6"	3.0"	1.7"	0.9"	3.5"	.62"	3.1"	20	70	75	140
1"	6.6"	3.0"	1.7"	0.9"	3.5"	0.9"	3.1"	20	70	75	140
1½"	6.6"	3.0"	1.7"	0.9"	3.5"	1.4"	3.1"	40	125	130	140
2"	6.6"	3.5"	1.7"	0.9"	3.8"	1.9"	3.9"	55	175	165	140
2½"	6.6"	3.7"	1.7"	0.9"	3.8"	2.4"	4.6"	70	220	210	110
3"	6.6"	3.9"	1.7"	1.2"	4.1"	2.9"	5.2"	165	310	350	110
4"	6.6"	4.8"	1.7"	1.2"	4.8"	3.8"	6.7"	350	450	540	85

Repair Kit for **Butterfly Valves**

Features:

Repair kit contains:

- (1) seat
- (2) bushings

for valves located on pages 505-506

Valve Size	Black EPDM		Red Silicone		Brown FKM	
	Part #	Price/E	Part #	Price/E	Part #	Price/E
½" - 1"	B5101-RKE100	\$26.50	B5101-RKS100	\$33.95	B5101-RKV100	\$73.25
1½"	B5101-RKE150	28.65	B5101-RKS150	39.35	B5101-RKV150	101.40
2"	B5101-RKE200	34.70	B5101-RKS200	43.20	B5101-RKV200	132.95
2½"	B5101-RKE250	38.95	B5101-RKS250	48.25	B5101-RKV250	249.00
3"	B5101-RKE300	62.60	B5101-RKS300	76.30	B5101-RKV300	438.15
4"	B5101-RKE400	95.25	B5101-RKS400	117.80	B5101-RKV400	804.90
6"	B5101-RKE600	151.30	B5101-RKS600	290.25	---	---
8"	B5101-RKE800	316.60	---	---	---	---

Dixon Sanitary's commitment to excellence and continuous research and development for improving product quality may warrant periodic changes in design and specification. We reserve the right to modify product design without prior notification and without incurring any liability to provide these modifications to products previously purchased.