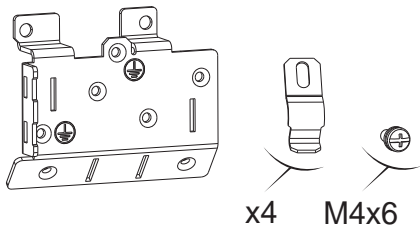


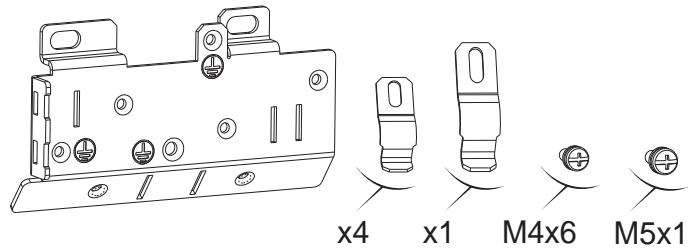
BBV4650503

ATV12 ATV320

VW3A9523, VW3A9524, VW3A9525, VW3A9532, VW3A9533



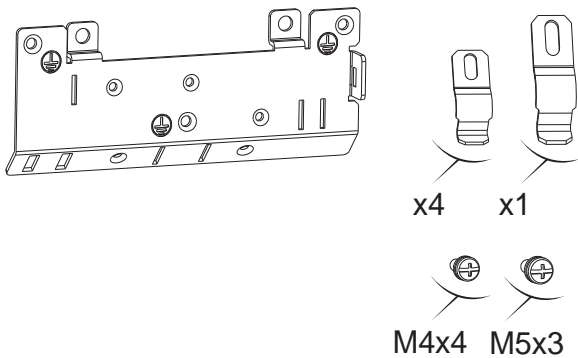
x4 M4x6



x4 x1 M4x6 M5x1

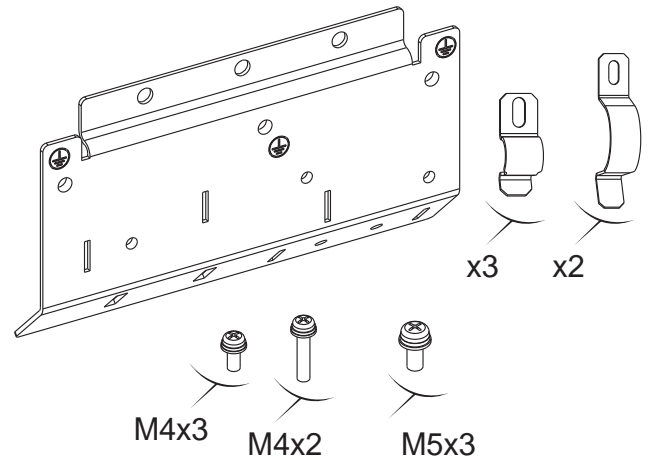
ATV12H018M2...H075M2 ATV12H018F1, ATV12H037F1 ATV12H018M3...H075M3 ATV12P037F1 ATV12P037M2...P075M2 ATV12P037M3...P075M3 ATV320U02M3C, ATV320U04M3C ATV320U06M3C, ATV320U07M3C	VW3A9523
---	-----------------

ATV12H075F1 ATV12HU15M2, ATV12HU22M2 ATV12HU15M3, ATV12HU22M3 ATV12PU15M3, ATV12PU22M3 ATV320U11M3C...U22M3C ATV320U07S6C, ATV320U15S6C	VW3A9524
--	-----------------



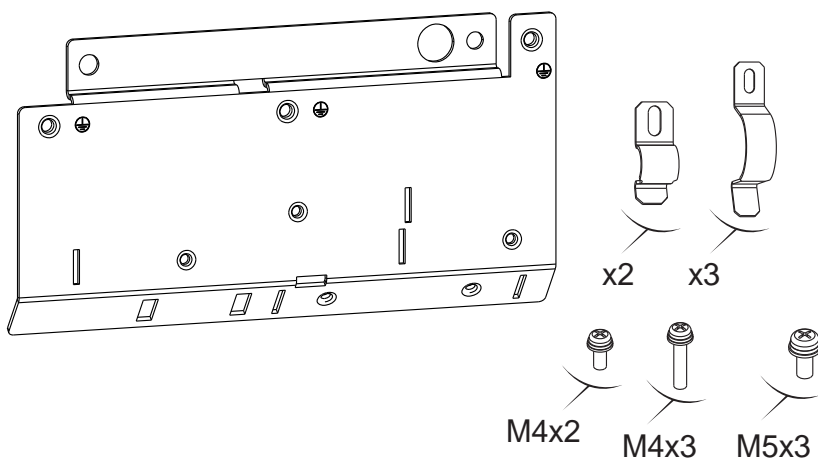
x4 x1
M4x4 M5x3

ATV12HU30M3, ATV12HU40M3 ATV12PU30M3, ATV12PU40M3 ATV320U30M3C, ATV320U40M3C ATV320U22S6C, ATV320U40S6C	VW3A9525
--	-----------------



x3 x2
M4x3 M4x2 M5x3

ATV320U55M3C, ATV320U75M3C ATV320U55S6C, ATV320U75S6C	VW3A9532
--	-----------------



x2 x3
M4x2 M4x3 M5x3

ATV320D11M3C, ATV320D15M3C ATV320D11S6C, ATV320D15S6C	VW3A9533
--	-----------------

DANGER

HAZARD OF ELECTRIC SHOCK, EXPLOSION, OR ARC FLASH

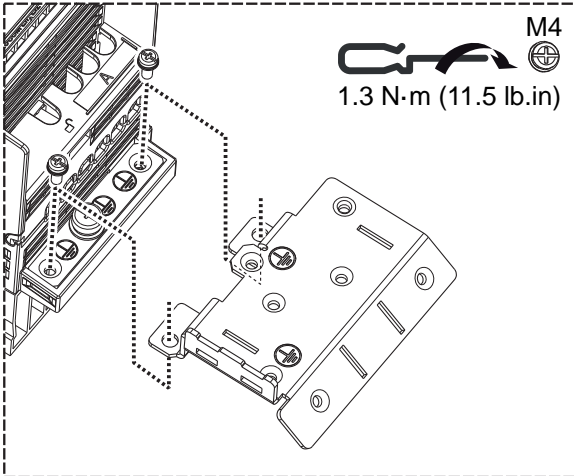
- Only appropriately trained persons who are familiar with and understand the contents of this manual and all other pertinent product documentation and who have received safety training to recognize and avoid hazards involved are authorized to work on and with this drive system. Installation, adjustment, repair and maintenance must be performed by qualified personnel.
- The system integrator is responsible for compliance with all local and national electrical code requirements as well as all other applicable regulations with respect to grounding of all equipment.
- Many components of the product, including the printed circuit boards, operate with mains voltage. Do not touch.
- Only use properly rated, electrically insulated tools and measuring equipment.
- Do not touch unshielded components or terminals with voltage present.
- Motors can generate voltage when the shaft is rotated. Prior to performing any type of work on the drive system, block the motor shaft to prevent rotation.
- AC voltage can couple voltage to unused conductors in the motor cable. Insulate both ends of unused conductors of the motor cable.
- Do not short across the DC bus terminals or the DC bus capacitors or the braking resistor terminals.
- Before performing work on the drive system:
 - Disconnect all power, including external control power that may be present.
Take into account that the circuit breaker or main switch does not de-energize all circuits.
 - Place a "Do Not Turn On" label on all power switches related to the drive system.
 - Lock all power switches in the open position.
 - Wait 15 minutes to allow the DC bus capacitors to discharge.
 - Follow the instructions given in the chapter "Verifying the Absence of Voltage" in the installation manual of the product.
- Before applying voltage to the drive system:
 - Verify that the work has been completed and that the entire installation cannot cause hazards.
 - If the mains input terminals and the motor output terminals have been grounded and short-circuited, remove the ground and the short circuits on the mains input terminals and the motor output terminals.
 - Verify proper grounding of all equipment.
 - Verify that all protective equipment such as covers, doors, grids is installed and/or closed.

Failure to follow these instructions will result in death or serious injury.

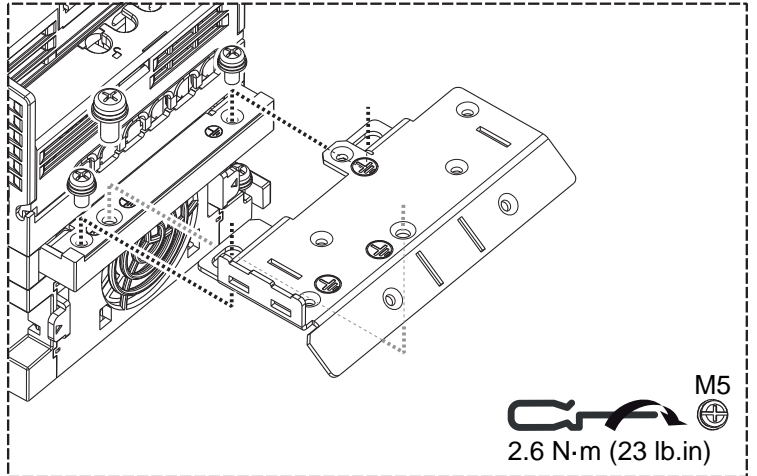
Electrical equipment should be installed, operated, serviced, and maintained only by qualified personnel. No responsibility is assumed by Schneider Electric for any consequences arising out of the use of this material.
© 2017 Schneider Electric. All Rights Reserved.



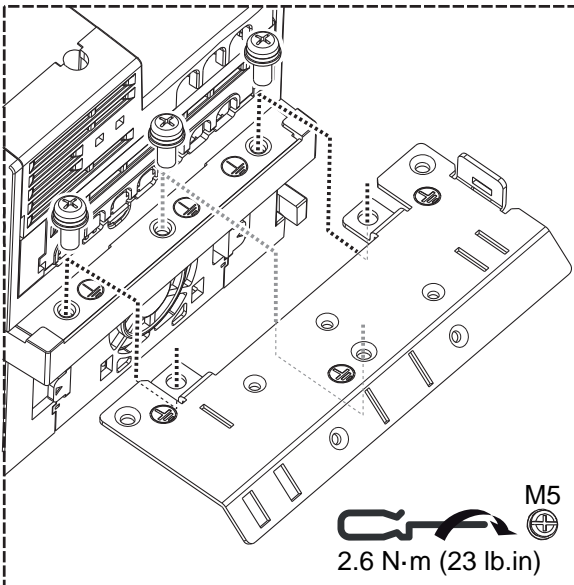
VW3A9523



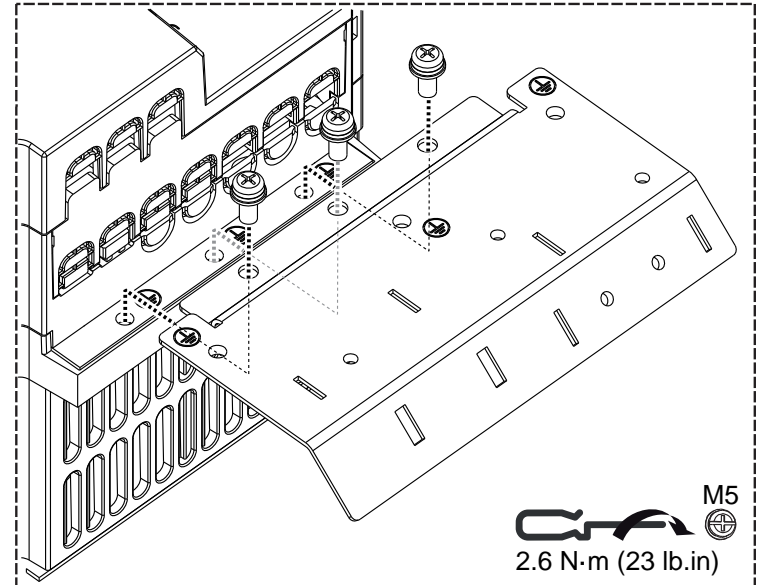
VW3A9524



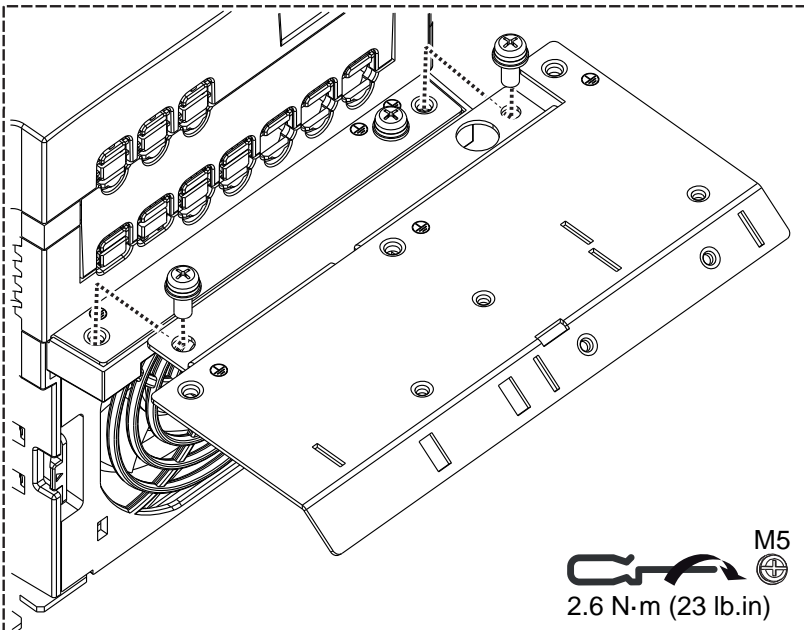
VW3A9525



VW3A9532



VW3A9533

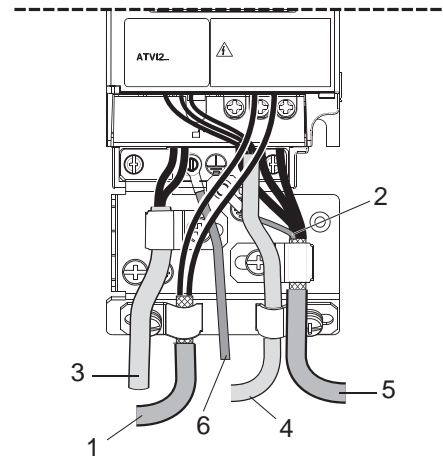
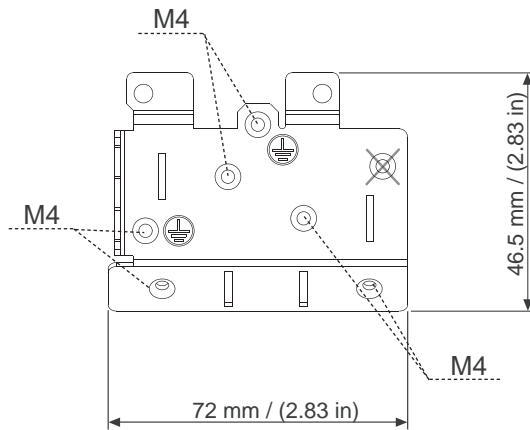




M4 1.3 N·m (11.5 lb.in)

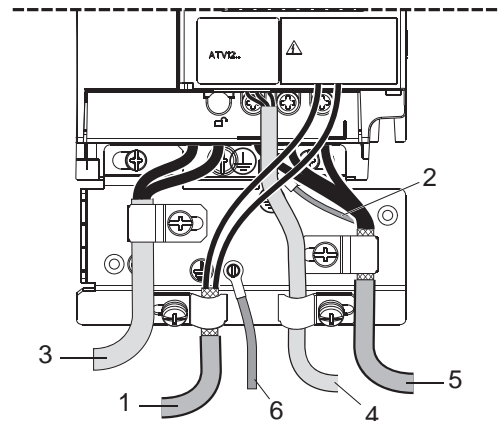
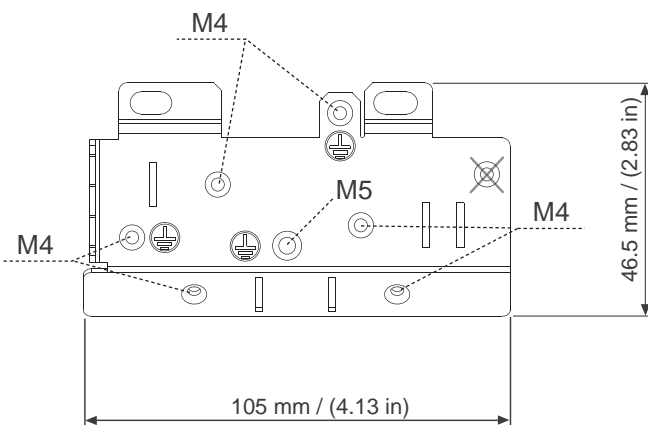
M5 2.6 N·m (23 lb.in)

VW3A9523



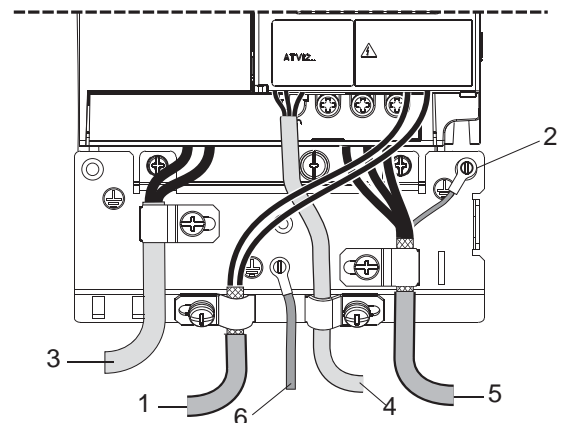
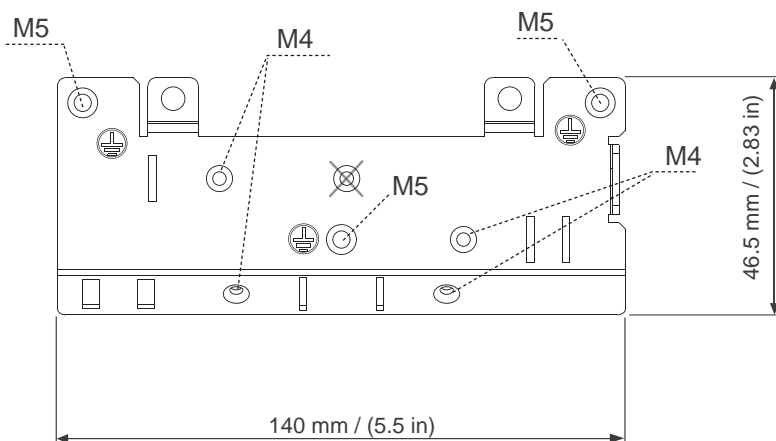
- | | |
|----------------------|----------------|
| 1: I/O (Li, Lo, ...) | 4: R1a R1b R1c |
| 2: | 5: U V W |
| 3: Pa- Pc | 6: |

VW3A9524



- | | |
|----------------------|----------------|
| 1: I/O (Li, Lo, ...) | 4: R1a R1b R1c |
| 2: | 5: U V W |
| 3: Pa- Pc | 6: |

VW3A9525



- | | |
|----------------------|----------------|
| 1: I/O (Li, Lo, ...) | 4: R1a R1b R1c |
| 2: | 5: U V W |
| 3: Pa- Pc | 6: |



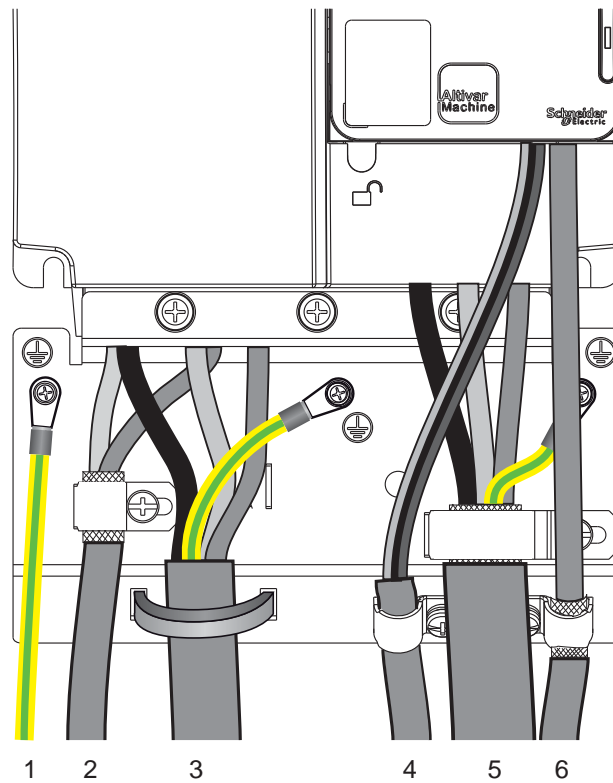
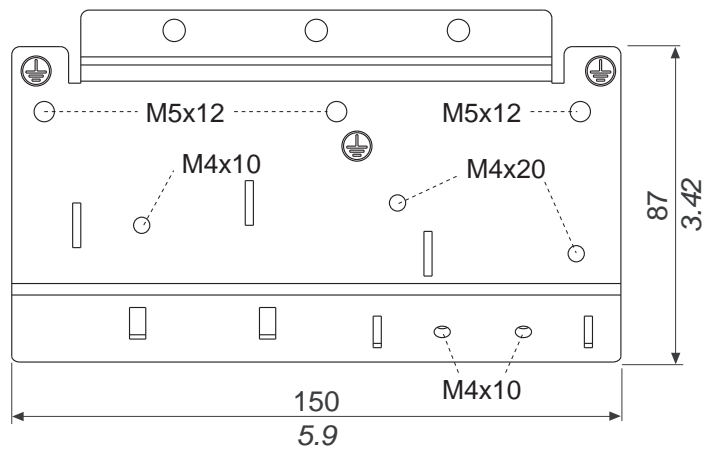
VW3A9532



M4 1.3 N·m (11.5 lb.in)

M5 2.6 N·m (23 lb.in)

mm
in



- 1:
- 2: PB P0
- 3: R/L1 S/L2 T/L3
- 4: R1A R1B R1C
- 5: U/T1 V/T2 W/T3
- 6: I/O

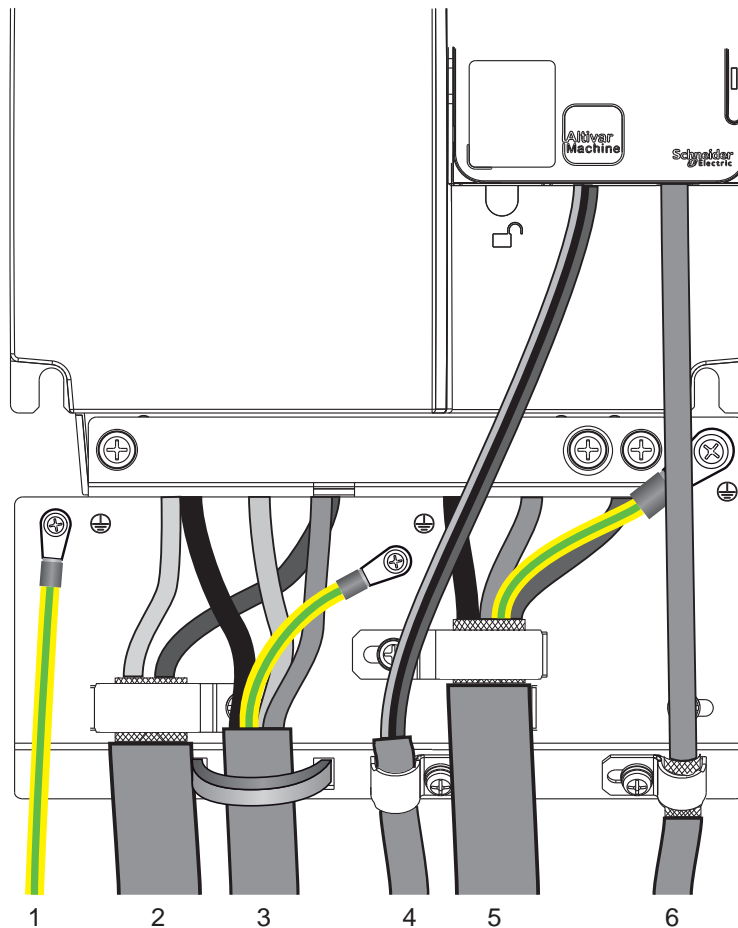
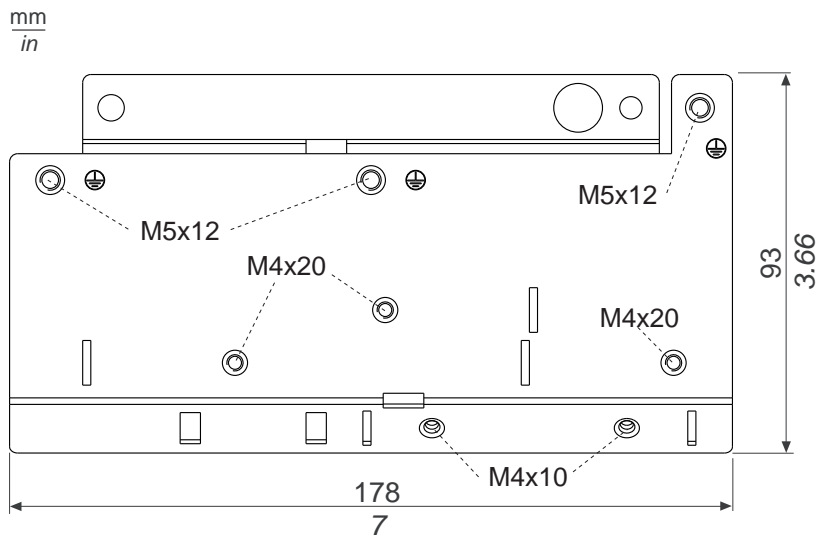


VW3A9533



M4 1.3 N·m (11.5 lb.in)

M5 2.6 N·m (23 lb.in)



- 1:
- 2: PB P0
- 3: R/L1 S/L2 T/L3
- 4: R1A R1B R1C
- 5: U/T1 V/T2 W/T3
- 6: I/O