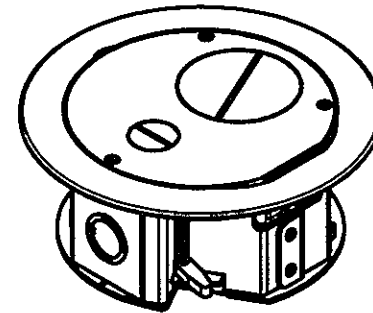
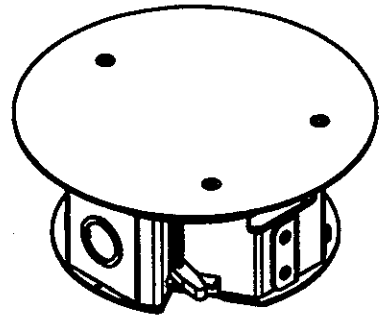


FLOOR BOX WITH TEMPORARY COVER

M-12912

3

FLOOR BOX WITH FURNITURE FEED COVER

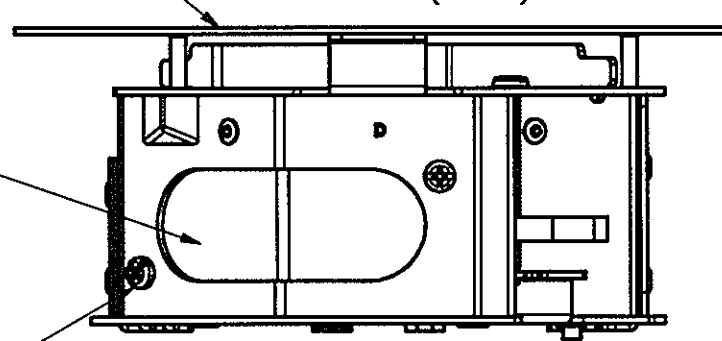
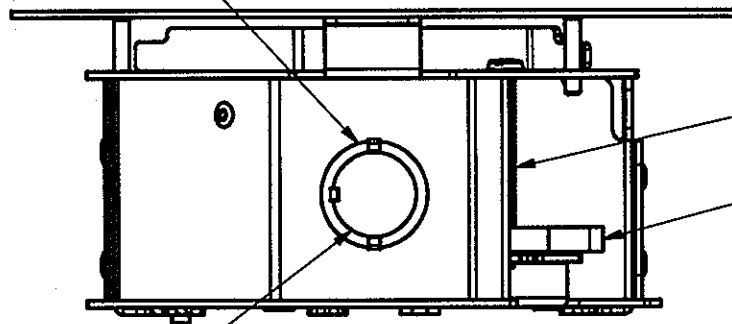


TEMPORARY INSTALLATION COVER
REMOVE BEFORE INSTALLING PROPER COVER

3/4" KNOCKOUT

SIDE VIEW (POWER)

SIDE VIEW (DATA)



PAWL SCREW

PAWL

REMOVABLE GATE

#8 SCREWS

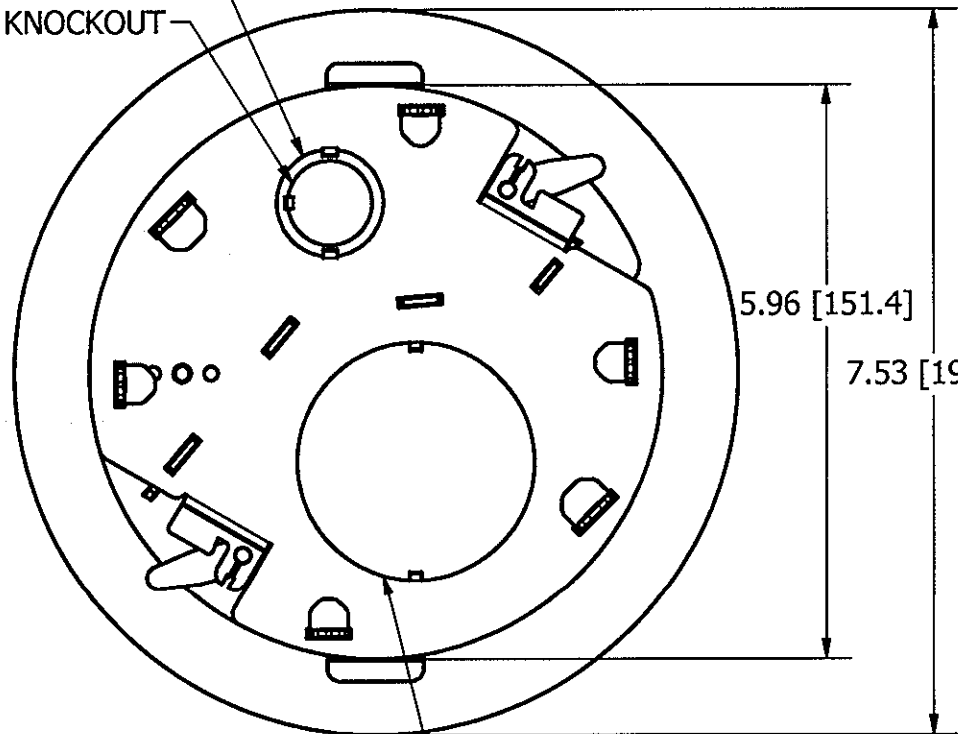
1/2" KNOCKOUT

BOTTOM VIEW

GROMMET FOR DATA OPENING

3/4" KNOCKOUT

1/2" KNOCKOUT



2" KNOCKOUT

NOTES:

- 1) ALL DIMENSIONS ARE IN INCHES AND [MILLIMETERS]
- 2) DESIGNED FOR 1- 2" FLOOR THICKNESS .
- 3) DESIGNED FOR 6 - 6 1/8" HOLE SIZE.
- 4) USE WITH HUBBELL AFBS1R6FFCVR SERIES FLOOR BOX COVERS ONLY.

CAT#	DESCRIPTION	FINISH
AFBS1R6BASE	6" FF AFB W TEMPORARY COVER	N/A
AFBS1R6FFALU	6" FF AFB W ALUMINUM COVER	BRUSHED ALUMINUM
AFBS1R6FFBLK	6" FF AFB W BLACK COVER	BLACK POWDER COAT
AFBS1R6FFBRS	6" FF AFB W BRASS COVER	BRASS PLATE
AFBS1R6FFBRZ	6" FF AFB W BRONZE COVER	BRONZE PLATE
AFBS1R6FFNKL	6" FF AFB W NICKEL COVER	NICKEL PLATE
AFBS1R6FFGRY	6" FF AFB W GRAY COVER	GRAY POWDER COAT

LIST OF PARTS

DESCRIPTION	MATERIAL	FINISH
FLOOR BOX	GALV. STEEL G60	-
TEMP INSTALL CVR	GALV. STEEL G60	-
RIVET	STEEL	ZINC
LOW VOLT. DIVIDER	GALV. STEEL G60	-
DATA GATE	GALV. STEEL G60	-
GROMMET	THERMOPLASTIC	-
SCREWS	STEEL	ZINC
GROUND SCREW	STEEL	GREEN COAT
F. FEED COVER	ALUMINUM	SEE TABLE

DIMENSION SHEET FOR CAT. NO.

REPAIRABLE

NON-REPAIRABLE

3	ADDED GRAY POWDER COATED FINISH. PER DCN#21974	EMD	3/18/16
2	CAD MODELS UPDATED, KNOCKOUTS MARKED. PER DCN#21848	EMD	2/25/16
1	RELEASED PER DCN#21144	EMD	7/27/15
SYM	DESCRIPTION	APPRO	DATE

THE DESIGN AND DIMENSIONS OF THE PRODUCT SHOWN ON THIS DRAWING ARE SUBJECT TO CHANGE WITHOUT NOTICE

TITLE

RAISED ACCESS FURNITURE FEED FLOOR BOX CUSTOMER DWG

TOLERANCES UNLESS OTHERWISE SPECIFIED
FRACTIONS ±1/64
DECIMALS ±.005
ANGLES ±2°

WIRING DEVICE-KELLEMS
HUBBELL INCORPORATED
SHELTON, CT

DR. BY	EMD	APP. BY	
TR. BY		SCALE	1/2
CHK'D BY		DATE	3/18/2015

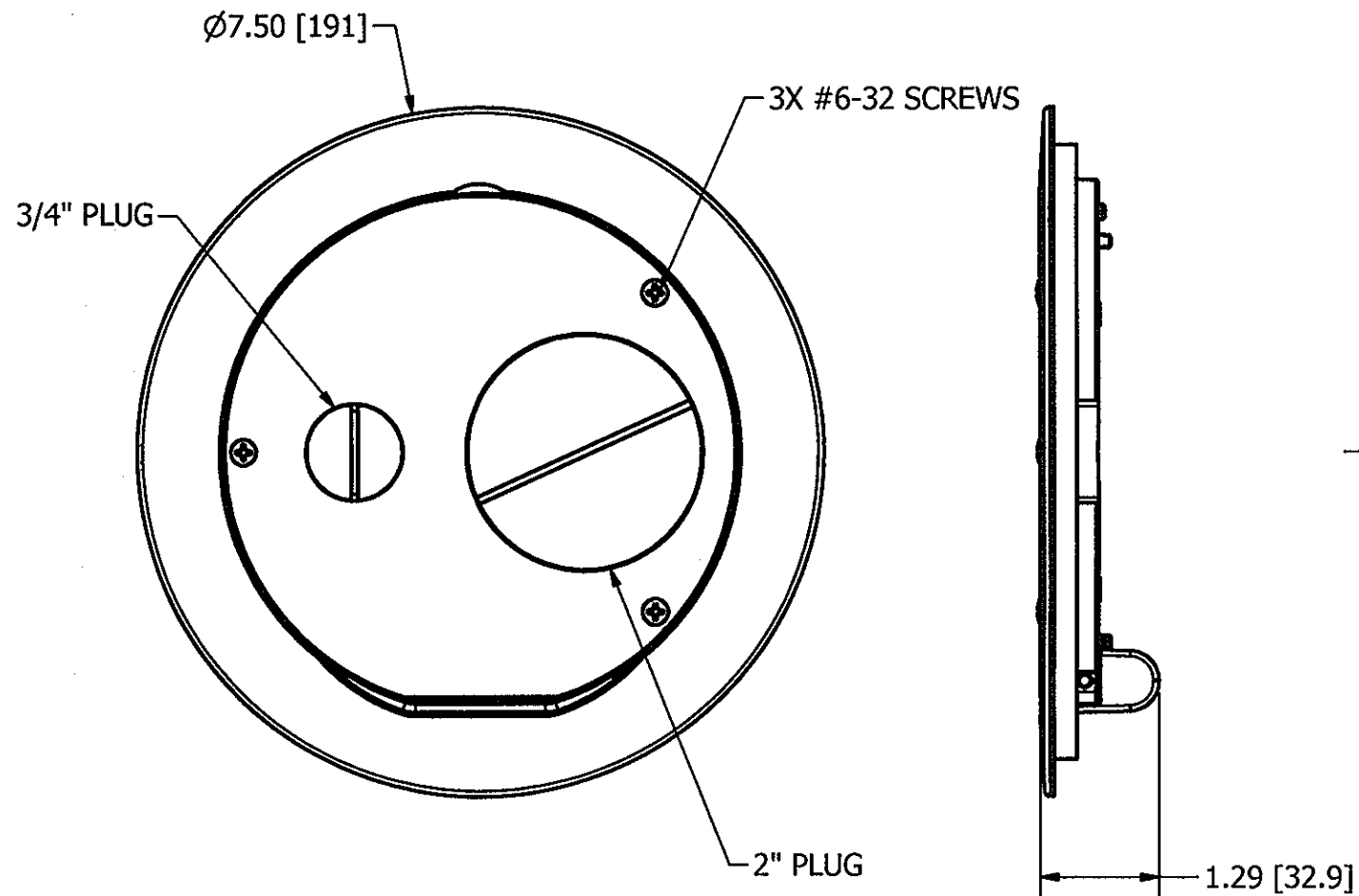
B

M-12912

3

M-13035

2



NOTE: ALL DIMENSIONS ARE IN INCHES AND [MILLIMETERS]

LIST OF PARTS

DESCRIPTION	MATERIAL	FINISH
FLANGE RING	ALUMINUM	SEE TABLE
COVER PLATE FF	ALUMINUM	SEE TABLE
CLOSURE PLUG, 2"	ALUMINUM	SEE TABLE
CLOSURE PLUG, 3/4"	ALUMINUM	SEE TABLE
GASKET	ELASTOMER	BLACK
SCREWS	STEEL	ZINC PLATE
SCREWS	STEEL	SEE TABLE

DIMENSION SHEET FOR CAT. NO.

REPAIRABLE NON-REPAIRABLE

2	ADDED GRAY POWDER COATED FINISH. REMOVED CONDUIT FITTINGS FROM LIST OF PARTS TABLE. PER DCN#21974	EMD	3/18/16
1	RELEASED PER DCN#21144	EMD	7/7/15
SY	DESCRIPTION	APPR	DATE

THE DESIGN AND DIMENSIONS OF THE PRODUCT SHOWN ON THIS DRAWING ARE SUBJECT TO CHANGE WITHOUT NOTICE

TITLE
6 INCH FURNITURE FEED COVER, AFB

CAT#	DESCRIPTION	FINISH
AFBS1R6FFCVRALU	6" AFB FF COVER ALUMINUM	BRUSHED ALUMINUM
AFBS1R6FFCVRBLK	6" AFB FF COVER BLACK	BLACK POWDER COAT
AFBS1R6FFCVRBRS	6" AFB FF COVER BRASS	BRASS PLATE
AFBS1R6FFCVRBRZ	6" AFB FF COVER BRONZE	BRONZE PLATE
AFBS1R6FFCVRNKL	6" AFB FF COVER NICKEL	NICKEL PLATE
AFBS1R6FFCVRGRY	6" AFB FF COVER GRAY	GRAY POWDER COAT

TOLERANCES UNLESS OTHERWISE SPECIFIED	WIRING DEVICE-KELLEMS HUBBELL INCORPORATED SHELTON, CT	
FRACTIONS ±1/64	DR. BY EMD	APP. BY
DECIMALS ±005	TR. BY	SCALE 1/2
ANGLES ±2'	CHK'D BY	DATE 3/24/2015

B M-13035

2