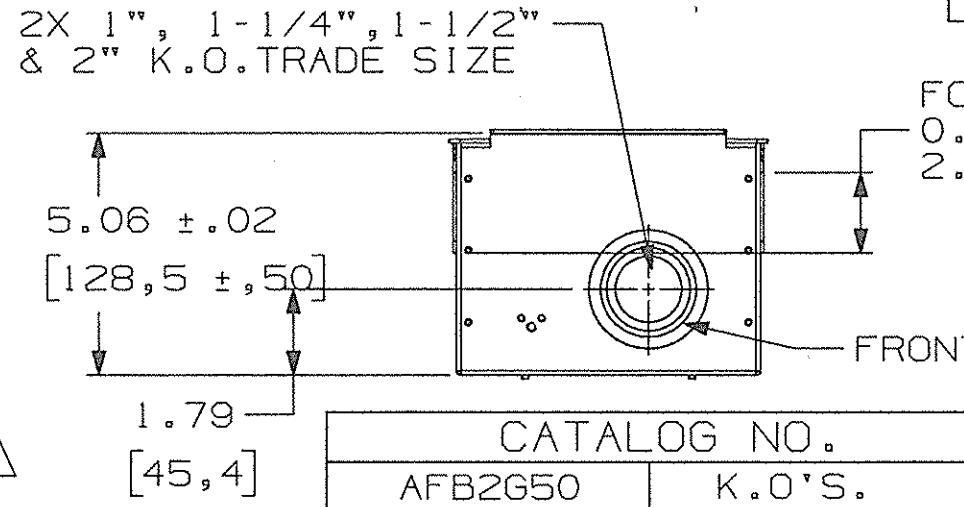
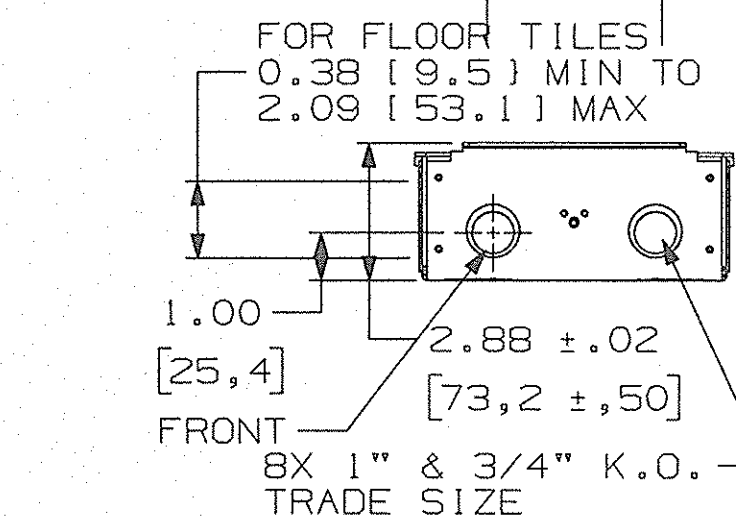
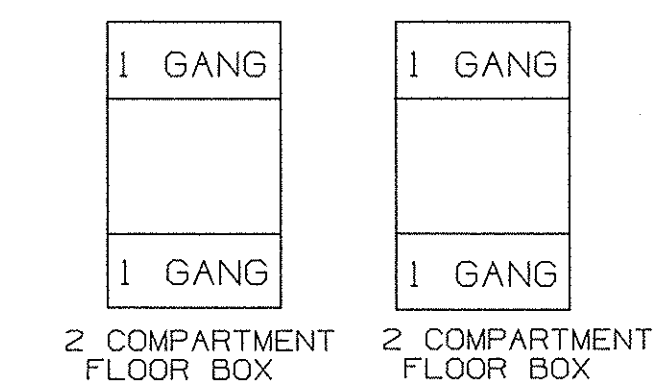
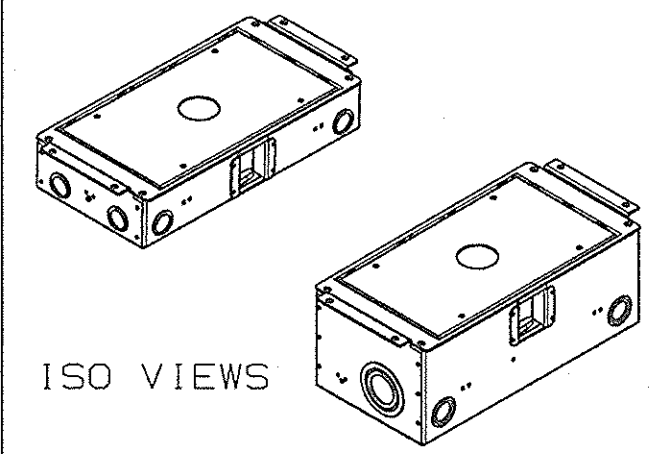
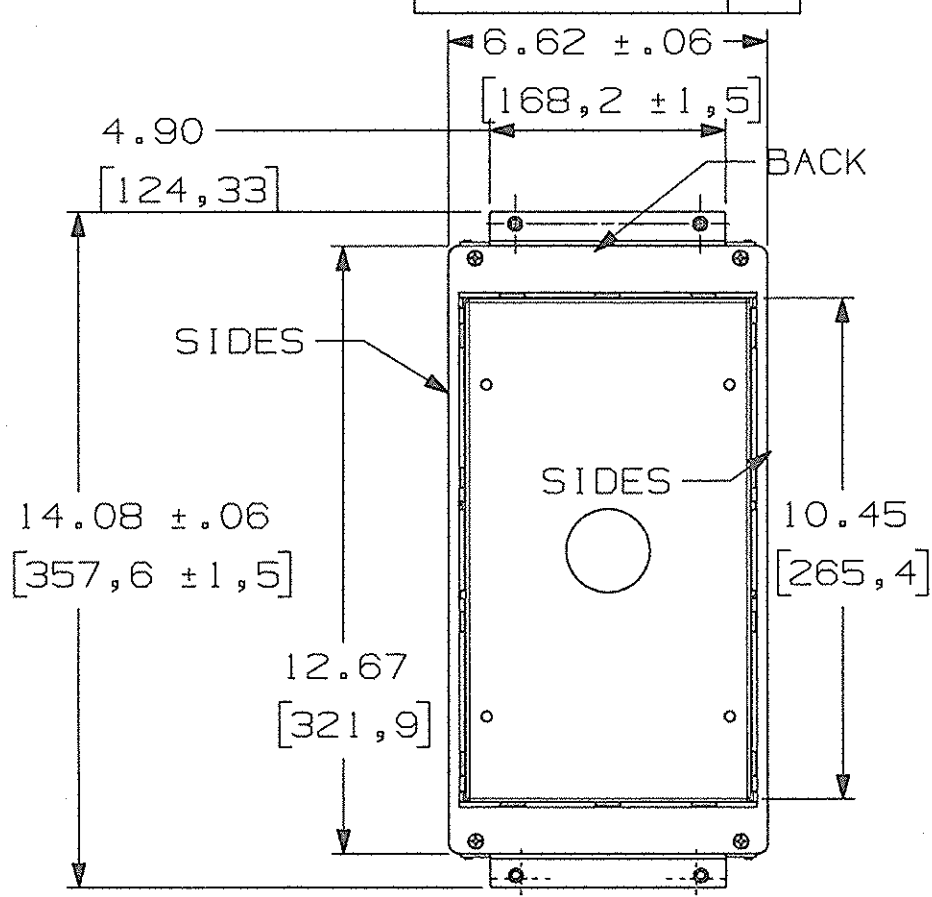
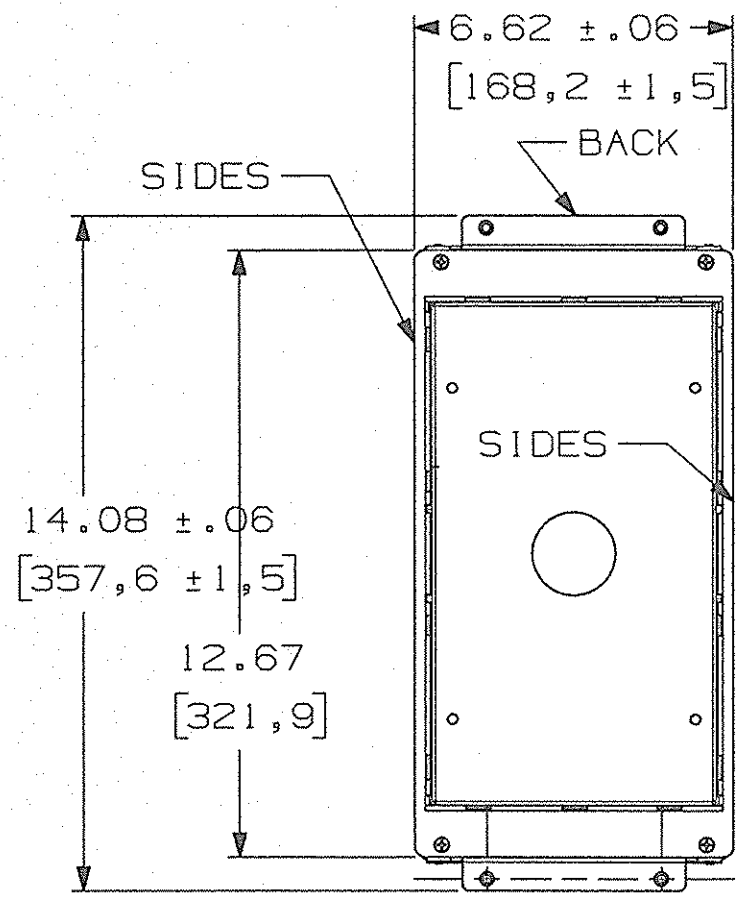


DIMENSION SHEET FOR CAT. NO. M-12138
 SEE FIELD OF DRAWING REPAIRABLE NON-REPAIRABLE

M-12138 4



FOR FLOOR TILES
0.38 [9.5] MIN TO
2.09 [53.1] MAX

CATALOG NO.	
AFB2G25	K.O'S.
AFB2G25CHI	NO K.O'S.

CATALOG NO.	
AFB2G50	K.O'S.
AFB2G50CHI	NO K.O'S.

K.O. TRADE SIZE	LOCATION	QTY
1, 1-1/4, 1-1/2, 2	FRONT	1
1, 1-1/4, 1-1/2, 2	BACK	1
3/4, 1, 1-1/4	BOTTOM	4
3/4, 1, 1-1/4	SIDES	2/PER

K.O. TRADE SIZE	LOCATION	QTY
1/2, 3/4	FRONT	2
1/2, 3/4	BACK	2
1/2, 3/4, 1	BOTTOM	2
1/2, 3/4	SIDES	2/PER

NOTES: UNLESS OTHERWISE SPECIFIED:
 1. DIMENSIONS SHOWN ON THIS DRAWING ARE NOMINAL VALUES FOR GENERAL USE ONLY. ACTUAL PART TOLERANCES MUST BE OBTAINED FROM HUBBELL ENGINEERING.
 2. PRODUCT IS cULus LISTED.
 3. DIMENSIONS ARE IN INCHES [mm].

LIST OF PARTS

DESCRIPTION	MATERIAL	FINISH
FLOOR BOX	STEEL	PRE-GALVANIZED
TOP MOUNTING ASSY.	STEEL	PRE-GALVANIZED
#8-32 FLAT HEAD SCREW	CRS	ZINC PLATE
#12 AWG GROUND WIRE & SCR ASSY.	COPPER	
METAL CONCRETE COVER	STEEL	PRE-GALVANIZED
WIRE BARRIER	STEEL	PRE-GALVANIZED
#6-32 TRUSS HEAD SCREW	STEEL	ZINC PLATED

SYM	REVISIONS	APP	DATE
4	09/16/14 ADDED DIMS. CHANGE DEPTHS TO FLOOR TILES PER DCN 20784 CAC	CAC	09/16/14
3	06/06/14 UPDATED ASSY ADDED 2 COMPARTMENT FLR BOX PER DCN 20574		06/06/14
2	10/07/13 UPDATED BOX & KO'S PER DCN 20073 CAC		10/07/13
1	1/19/12 RELEASE FOR PRODUCTION PER DCN 18427 MJM TLS	TLS	1/19/12

THE DESIGN AND DIMENSIONS OF THE PRODUCT SHOWN ON THIS DRAWING ARE SUBJECT TO CHANGE WITHOUT NOTICE

TITLE
2 GANG AFB FLOOR BOX

TOLERANCES UNLESS OTHERWISE SPECIFIED		WIRING DEVICE-KELLEMS HUBBELL INCORPORATED SHELTON, CT	
.XX = ±.01	.XXX = ±.005	DR. BY MJM	APP. BY
ANGLES = ±2°		TR. BY	SCALE 1/4
		CHK. BY	DATE 1/11/12