

Straight Blade Devices

15A, 125V, 2 Pole, 3 Wire Grounding

SNAPConnect[®] Hospital Grade USB Charger Receptacle

HUBBELL

Features

- Fast Charge USB Ports
- Combination Ports, One Type A, One Type C
- High Power 3 Amp, up to 9 Volt USB Output
- USB Ports Rated 10,000 Cycles
- Hospital Grade Receptacle

Ordering Information

| Description | Device Color | UPC Number | Catalog Number |
|---|--------------|--------------|----------------|
| Hospital Grade 15A 125V Duplex, Gray 5 Amp USB Ports | Gray | 883778308550 | SNAP8200UACGY |

Listings

cULus Listed to UL498, UL1310

Specifications

| | |
|-----------------|--|
| Face | Reinforced Thermoplastic |
| Base | Reinforced Thermoplastic |
| Indicator | Green LED |
| Terminals | SNAPConnect |
| Mounting Strap | Galvanized Steel |
| Electrical | Certified for current interrupting at full rated current |
| Mounting Screws | Stainless Steel |
| USB Port | Stainless Steel |

Performance

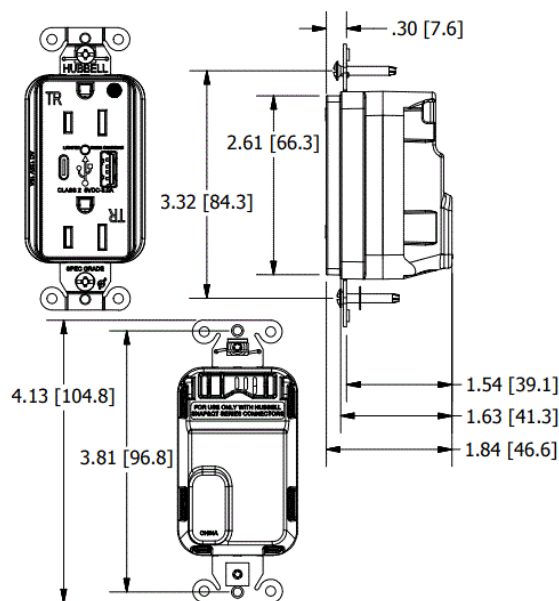
| | |
|----------------------|---|
| Electrical | |
| Current Interrupting | Certified for current interrupting at full rated current |
| Dielectric Voltage | Withstands 1,500V minimum Complies with USB BC1.2 Battery Charging and 3.0 Power Delivery Specifications |

Mechanical

| | |
|-------------------------|--|
| Product Identification | Ratings are a permanent part of the device |
| Terminal Accommodation | #14-#10 AWG copper stranded or solid conductor only |
| Terminal Identification | Terminals identified in accordance with UL 498 and CSA |
| USB Ports | Stainless steel rated for 10,000 plug insertions and removal |

Environmental

| | |
|-----------------------|---|
| Flammability | UL 94V-2 |
| Operating Temperature | Maximum continuous 75°C, minimum -40°C (w/o impact) |



Online Resources

Customer Sales Drawing
eCatalog
Installation Instructions

Dimensions in Inches (mm)

Hubbell Wiring Device-Kellems • Hubbell Incorporated (Delaware) • 40 Waterview Drive • Shelton, CT 06484

Phone (800) 288-6000 • Fax (800) 255-1031 • Specifications subject to change without notice.

