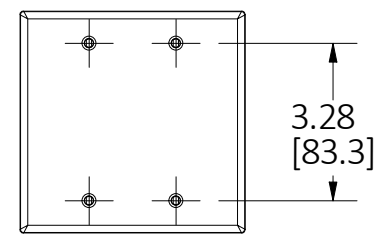
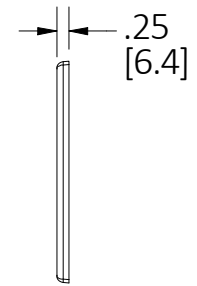
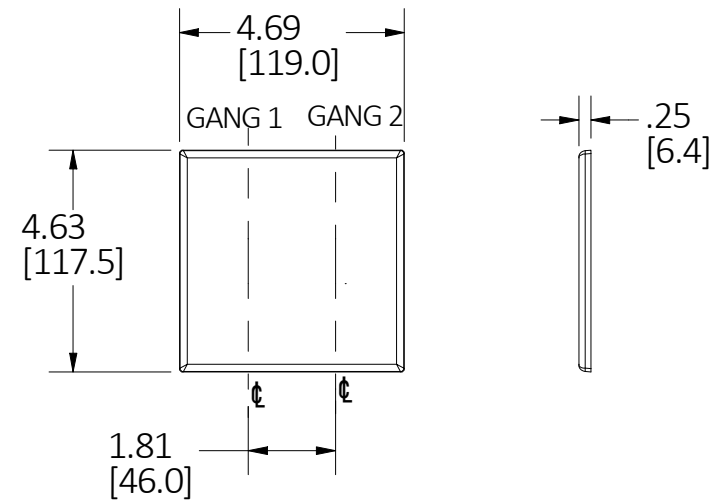


LIST OF PARTS

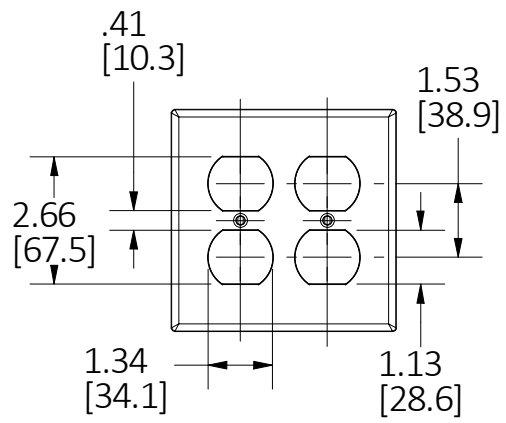
DESCRIPTION	MATERIAL	FINISH
WALLPLATE	THERMOPLASTIC	COLOR SEE TABLE PER CAT.#
MOUNTING SCREW	STEEL	Zn PLATE

CAT.#	DESCRIPTION	COLOR	OPENING
P82	WALLPLATE 2G DUP, BR	BROWN	082
P82I	WALLPLATE 2G DUP, IV	IVORY	082
P82W	WALLPLATE 2G DUP, WH	WHITE	082
P82GY	WALLPLATE 2G DUP, GY	GRAY	082
P82BK	WALLPLATE 2G DUP, BK	BLACK	082
P82R	WALLPLATE 2G DUP, RED	RED	082
P82LA	WALLPLATE 2G DUP, LA	LIGHT ALMOND	082
P82OR	WALLPLATE 2G DUP, OR	ORANGE	082
P23	WALLPLATE 2G BLANK, BR	BROWN	023
P23I	WALLPLATE 2G BLANK, IV	IVORY	023
P23W	WALLPLATE 2G BLANK, WH	WHITE	023
P23GY	WALLPLATE 2G BLANK, GY	GRAY	023
P23BK	WALLPLATE 2G BLANK, BK	BLACK	023
P23LA	WALLPLATE 2G BLANK, LA	LIGHT ALMOND	023
P262	WALLPLATE 2G DECO, BR	BROWN	262
P262I	WALLPLATE 2G DECO, IV	IVORY	262
P262W	WALLPLATE 2G DECO, WH	WHITE	262
P262GY	WALLPLATE 2G DECO, GY	GRAY	262
P262BK	WALLPLATE 2G DECO, BK	BLACK	262
P262R	WALLPLATE 2G DECO, RED	RED	262
P262LA	WALLPLATE 2G DECO, LA	LIGHT ALMOND	262
P2	WALLPLATE 2G TOG, BR	BROWN	002
P2I	WALLPLATE 2G TOG, IV	IVORY	002
P2W	WALLPLATE 2G TOG, WH	WHITE	002
P2GY	WALLPLATE 2G TOG, GY	GRAY	002
P2BK	WALLPLATE 2G TOG, BK	BLACK	002
P2R	WALLPLATE 2G TOG, RED	RED	002
P2LA	WALLPLATE 2G TOG, LA	LIGHT ALMOND	002
P826	WALLPLATE 2G DECO&DUP, BR	BROWN	826
P826I	WALLPLATE 2G DECO&DUP, IV	IVORY	826
P826W	WALLPLATE 2G DECO&DUP, WH	WHITE	826
P826GY	WALLPLATE 2G DECO&DUP, GY	GRAY	826
P826BK	WALLPLATE 2G DECO&DUP, BK	BLACK	826
P826R	WALLPLATE 2G DECO&DUP, RED	RED	826
P826LA	WALLPLATE 2G DECO&DUP, LA	LIGHT ALMOND	826
P126	WALLPLATE 2G DECO&TOG, BR	BROWN	126
P126I	WALLPLATE 2G DECO&TOG, IV	IVORY	126
P126W	WALLPLATE 2G DECO&TOG, WH	WHITE	126
P126GY	WALLPLATE 2G DECO&TOG, GY	GRAY	126
P126BK	WALLPLATE 2G DECO&TOG, BK	BLACK	126
P126R	WALLPLATE 2G DECO&TOG, RED	RED	126
P126LA	WALLPLATE 2G DECO&TOG, LA	LIGHT ALMOND	126
P18	WALLPLATE 2G DUP&TOG, BR	BROWN	018
P18I	WALLPLATE 2G DUP&TOG, IV	IVORY	018
P18W	WALLPLATE 2G DUP&TOG, WH	WHITE	018
P18GY	WALLPLATE 2G DUP&TOG, GY	GRAY	018
P18BK	WALLPLATE 2G DUP&TOG, BK	BLACK	018
P18R	WALLPLATE 2G DUP&TOG, RED	RED	018
P18LA	WALLPLATE 2G DUP&TOG, LA	LIGHT ALMOND	018

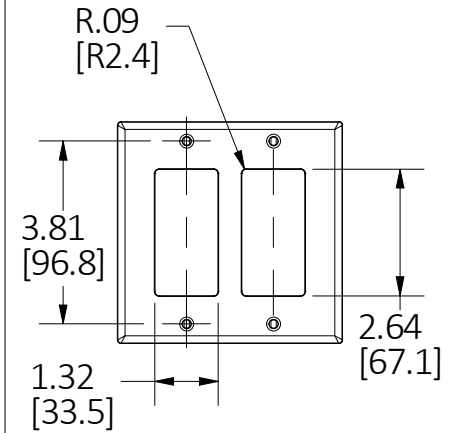


OPENING. #023

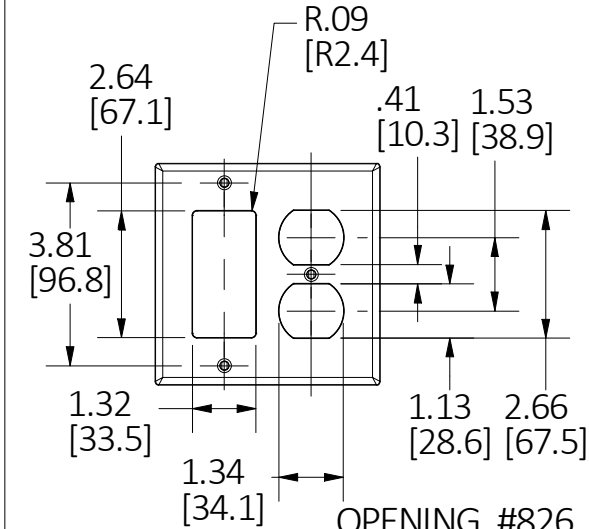
NOTES:
1. ALL DIMENSIONS ARE IN INCHES [mm].



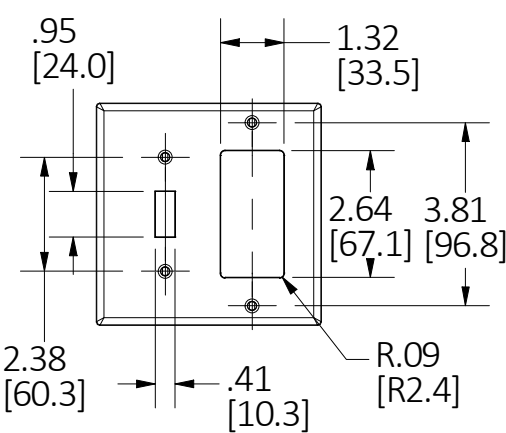
OPENING. #082



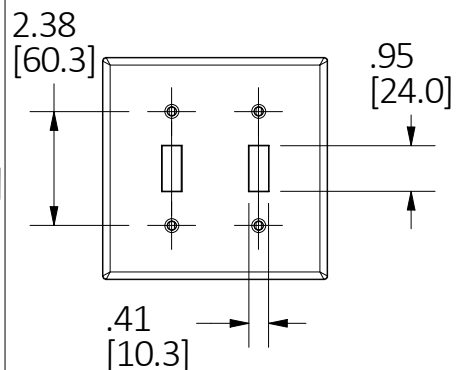
OPENING. #262



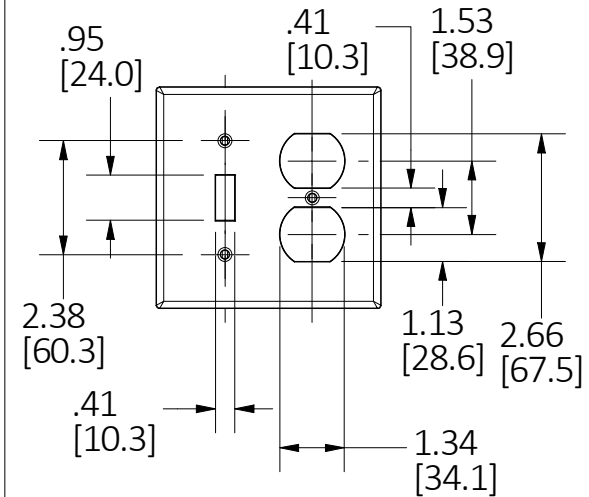
OPENING. #826



OPENING. #126



OPENING. #002

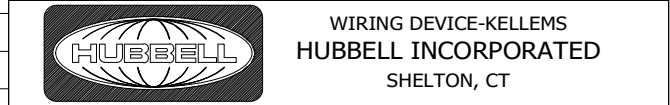


OPENING. #018

REV	DESCRIPTION	APP	DATE
3	ADDED P24 IN SHEET 3 PER DCN #200401144939.	D.LI	03/31/20
2	ADDED SHEET 2 & 3 PER DCN #191115071510.	D.LI	11/6/19
1	NEW RELEASE PER DCN #191021082012.	D.LI	9/18/19

THE DESIGN AND DIMENSIONS OF THE PRODUCT SHOWN ON THIS DRAWING ARE SUBJECT TO CHANGE WITHOUT NOTICE. DIMENSIONS ARE IN INCHES [mm].

TITLE
WALLPLATE PC 2G STD



TOLERANCES UNLESS OTHERWISE SPECIFIED .XX = ±.01 .XXX = ±.005 ANGLE TOL. ±2'	DR. BY D.LI	SCALE 1/4
	CHK. BY	DATE 9/18/2019

LIST OF PARTS

DESCRIPTION	MATERIAL	FINISH
WALLPLATE	THERMOPLASTIC	COLOR SEE TABLE PER CAT.#
MOUNTING SCREW	STEEL	Zn PLATE

CAT.#	DESCRIPTION	COLOR	OPENING
P78	WALLPLATE 2G DUP&1.40"OPNG, BR	BROWN	078
P78I	WALLPLATE 2G DUP&1.40"OPNG, IV	IVORY	078
P78W	WALLPLATE 2G DUP&1.40"OPNG, WH	WHITE	078
P78GY	WALLPLATE 2G DUP&1.40"OPNG, GY	GRAY	078
P138	WALLPLATE 2G DUP&BLANK, BR	BROWN	138
P138I	WALLPLATE 2G DUP&BLANK, IV	IVORY	138
P138W	WALLPLATE 2G DUP&BLANK, WH	WHITE	138
P138GY	WALLPLATE 2G DUP&BLANK, GY	GRAY	138
P138BK	WALLPLATE 2G DUP&BLANK, BK	BLACK	138
P138LA	WALLPLATE 2G DUP&BLANK, LA	LIGHT ALMOND	138
P1326	WALLPLATE 2G DECO&BLANK, BR	BROWN	1326
P1326I	WALLPLATE 2G DECO&BLANK, IV	IVORY	1326
P1326W	WALLPLATE 2G DECO&BLANK, WH	WHITE	1326
P1326GY	WALLPLATE 2G DECO&BLANK, GY	GRAY	1326
P1326BK	WALLPLATE 2G DECO&BLANK, BK	BLACK	1326
P1326LA	WALLPLATE 2G DECO&BLANK, LA	LIGHT ALMOND	1326
P21I	WALLPLATE 2G (2).406"OPNG, IV	IVORY	021
P21W	WALLPLATE 2G (2).406"OPNG, WH	WHITE	021
P21GY	WALLPLATE 2G (2).406"OPNG, GY	GRAY	021
P21BK	WALLPLATE 2G (2).406"OPNG, BK	BLACK	021
P17	WALLPLATE 2G TOG&1.39"OPNG, BR	BROWN	017
P17I	WALLPLATE 2G TOG&1.39"OPNG, IV	IVORY	017
P17W	WALLPLATE 2G TOG&1.39"OPNG, WH	WHITE	017
P17GY	WALLPLATE 2G TOG&1.39"OPNG, GY	GRAY	017
P17BK	WALLPLATE 2G TOG&1.39"OPNG, BK	BLACK	017
P113	WALLPLATE 2G TOG&BLANK, BR	BROWN	113
P113I	WALLPLATE 2G TOG&BLANK, IV	IVORY	113
P113W	WALLPLATE 2G TOG&BLANK, WH	WHITE	113
P113GY	WALLPLATE 2G TOG&BLANK, GY	GRAY	113
P113BK	WALLPLATE 2G TOG&BLANK, BK	BLACK	113
P113LA	WALLPLATE 2G TOG&BLANK, LA	LIGHT ALMOND	113
P1226	WALLPLATE 2G DECO&.406" OPNG, BR	BROWN	1226
P1226I	WALLPLATE 2G DECO&.406" OPNG, IV	IVORY	1226
P1226W	WALLPLATE 2G DECO&.406" OPNG, WH	WHITE	1226
P1226GY	WALLPLATE 2G DECO&.406" OPNG, GY	GRAY	1226
P1226BK	WALLPLATE 2G DECO&.406" OPNG, BK	BLACK	1226
P703	WALLPLATE 2G 2.15" OPNG, BR	BROWN	703
P703I	WALLPLATE 2G 2.15" OPNG, IV	IVORY	703
P703W	WALLPLATE 2G 2.15" OPNG, WH	WHITE	703
P703GY	WALLPLATE 2G 2.15" OPNG, GY	GRAY	703
P703BK	WALLPLATE 2G 2.15" OPNG, BK	BLACK	703

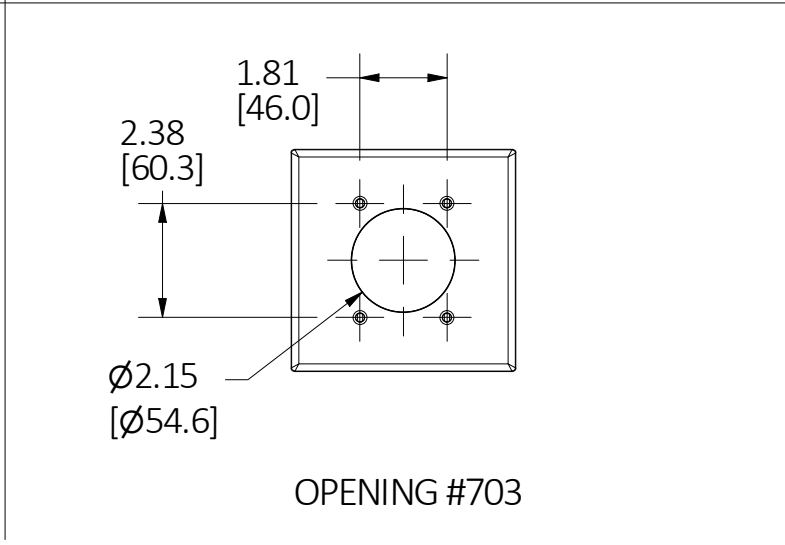
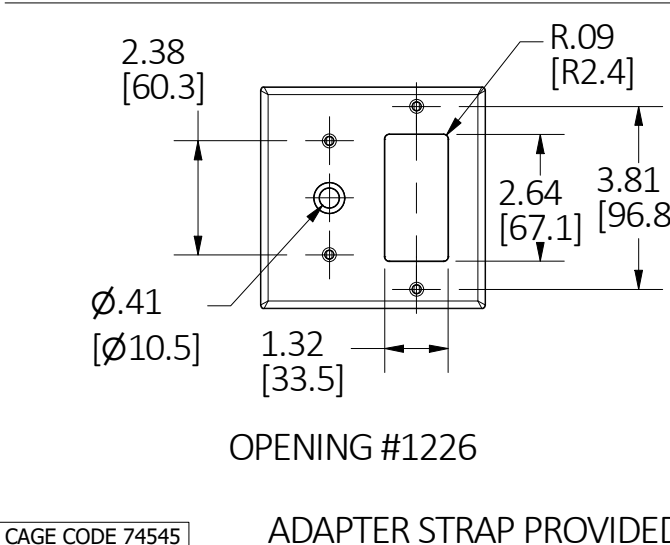
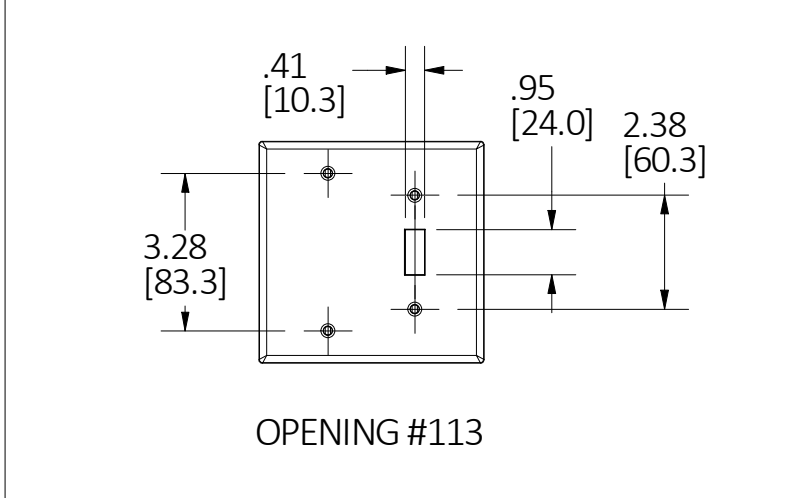
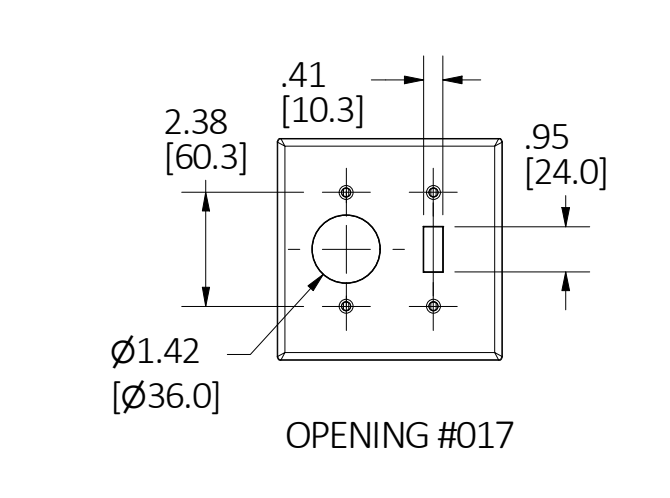
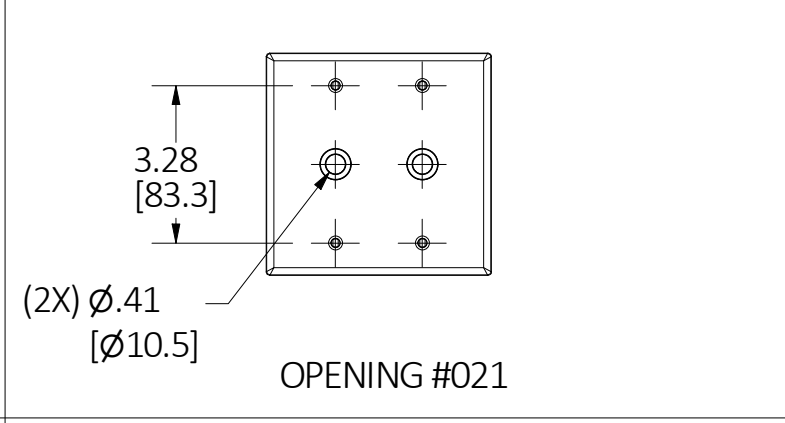
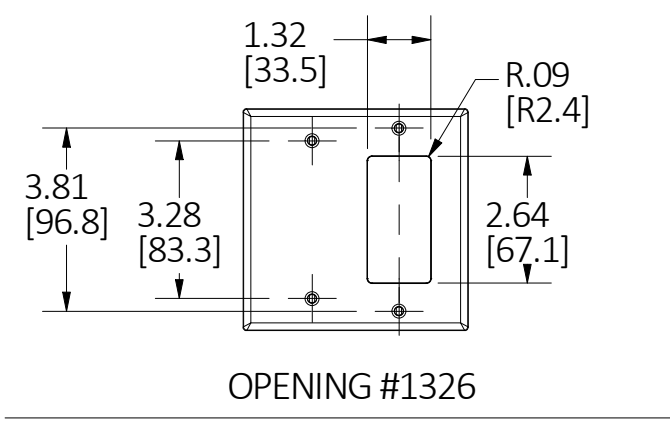
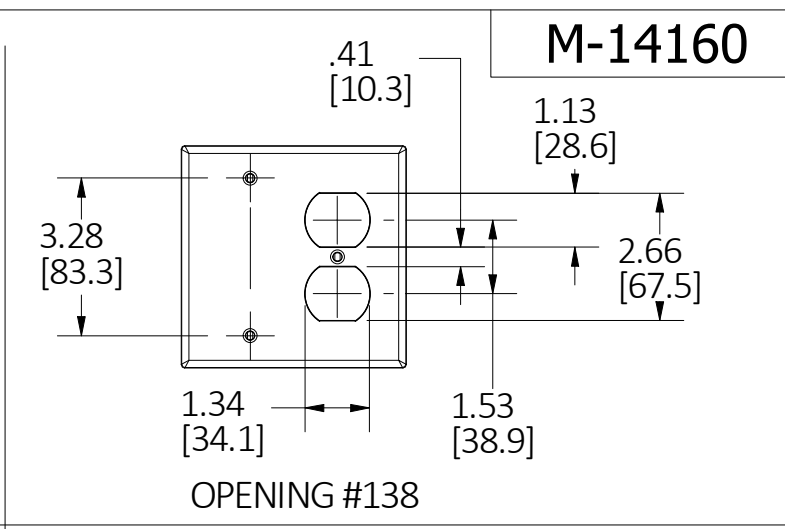
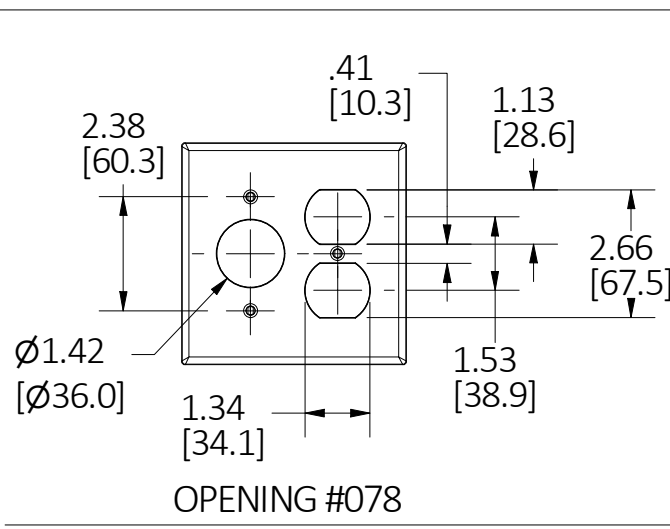
REV	DESCRIPTION	APP	DATE
3	ADDED P24 IN SHEET 3 PER DCN #200401144939.	D.LI	03/31/20
2	ADDED SHEET 2 & 3 PER DCN #191115071510.	D.LI	11/6/19
1	NEW RELEASE PER DCN #191021082012.	D.LI	9/18/19

THE DESIGN AND DIMENSIONS OF THE PRODUCT SHOWN ON THIS DRAWING ARE SUBJECT TO CHANGE WITHOUT NOTICE. DIMENSIONS ARE IN INCHES [mm].

TITLE
WALLPLATE PC 2G STD

WIRING DEVICE-KELLEMS
HUBBELL INCORPORATED
SHELTON, CT

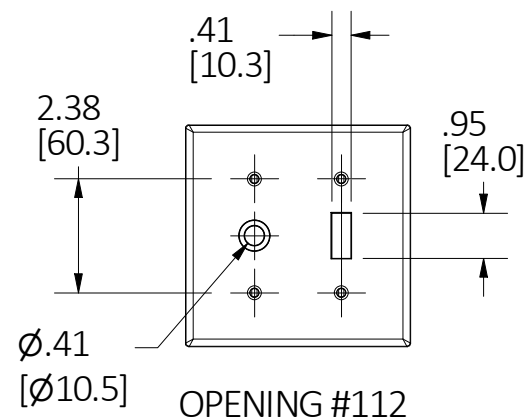
TOLERANCES UNLESS OTHERWISE SPECIFIED .XX = ±.01 .XXX = ±.005 ANGLE TOL. ±2°	DR. BY D.LI	SCALE 1 / 4
	CHK. BY	DATE 11/6/19



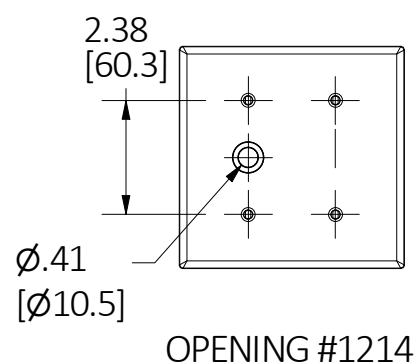
DIMENSION SHEET FOR CAT. NO. **M-14160** **B** **3**
SEE TABLE

M-14160

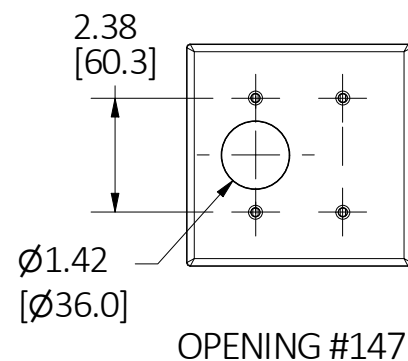
3



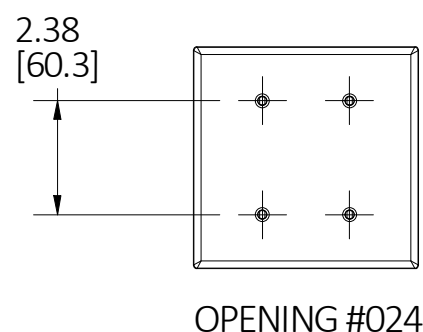
ADAPTER STRAP PROVIDED



ADAPTER STRAP PROVIDED



ADAPTER STRAP PROVIDED



ADAPTER STRAP PROVIDED

LIST OF PARTS		
DESCRIPTION	MATERIAL	FINISH
WALLPLATE	THERMOPLASTIC	COLOR SEE TABLE PER CAT.#
MOUNTING SCREW	STEEL	Zn PLATE
ADAPTER STRAP	STEEL	Zn PLATE

3	ADDED P24 IN SHEET 3 PER DCN #200401144939.	D.LI	03/31/20
2	ADDED SHEET 2 & 3 PER DCN #191115071510.	D.LI	11/6/19
1	NEW RELEASE PER DCN #191021082012.	D.LI	9/18/19
REV	DESCRIPTION	APP	DATE

CAT.#	DESCRIPTION	COLOR	OPENING
P112	WALLPLATE 2G TOG&.406" OPNG, BR	BROWN	112
P112I	WALLPLATE 2G TOG&.406" OPNG, IV	IVORY	112
P112W	WALLPLATE 2G TOG&.406" OPNG, WH	WHITE	112
P112GY	WALLPLATE 2G TOG&.406" OPNG, GY	GRAY	112
P112BK	WALLPLATE 2G TOG&.406" OPNG, BK	BLACK	112
P1214	WALLPLATE 2G BLANK&.406" OPNG, BR	BROWN	1214
P1214I	WALLPLATE 2G BLANK&.406" OPNG, IV	IVORY	1214
P1214W	WALLPLATE 2G BLANK&.406" OPNG, WH	WHITE	1214
P1214GY	WALLPLATE 2G BLANK&.406" OPNG, GY	GRAY	1214
P1214BK	WALLPLATE 2G BLANK&.406" OPNG, BK	BLACK	1214
P147	WALLPLATE 2G 1.40"OPNG & BLANK, BR	BROWN	147
P147I	WALLPLATE 2G 1.40"OPNG & BLANK, IV	IVORY	147
P147W	WALLPLATE 2G 1.40"OPNG & BLANK, WH	WHITE	147
P147GY	WALLPLATE 2G 1.40"OPNG & BLANK, GY	GRAY	147
P147BK	WALLPLATE 2G 1.40"OPNG & BLANK, BK	BLACK	147
P24	WALLPLATE 2G STRAP MT. BLANK, BR	BROWN	024
P24I	WALLPLATE 2G STRAP MT. BLANK, IV	IVORY	024
P24W	WALLPLATE 2G STRAP MT. BLANK, WH	WHITE	024
P24GY	WALLPLATE 2G STRAP MT. BLANK, GY	GRAY	024
P24BK	WALLPLATE 2G STRAP MT. BLANK, BK	BLACK	024
P24R	WALLPLATE 2G STRAP MT. BLANK, RED	RED	024

THE DESIGN AND DIMENSIONS OF THE PRODUCT SHOWN ON THIS DRAWING ARE SUBJECT TO CHANGE WITHOUT NOTICE. DIMENSIONS ARE IN INCHES [mm].

TITLE
WALLPLATE PC 2G STD

<p>WIRING DEVICE-KELLEMS HUBBELL INCORPORATED SHELTON, CT</p>	DR. BY	D.LI	SCALE	1 / 4
	CHK. BY		DATE	11/6/19

TOLERANCES UNLESS OTHERWISE SPECIFIED
.XX = ± .01
.XXX = ± .005
ANGLE TOL. ±2'

DIMENSION SHEET FOR CAT. NO.
SEE TABLE

B
M-14160
3