

H-MOSS Controls Adaptive Dual Technology Wall Switch Sensor

HUBBELL

Features

- Dual technology sensing combines the individual advantages of passive infrared and ultrasonic detection
- Built in photocell with manual super saver mode for daylight harvesting
- Impact resistant hard lens is standard and color matched to the switch
- 0-10V Dimming with compatible IEC 60929 standard compliant ballasts/LED drivers



Ordering Information

| Description | Color | UPC Number | Catalog Number |
|--|--------------|--------------|----------------|
| DualTech Wall Switch Sensor with Dimming | Light Almond | 783585427898 | ADD2001LA1 |

Listings

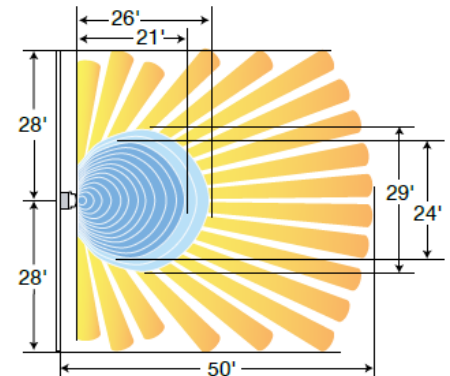
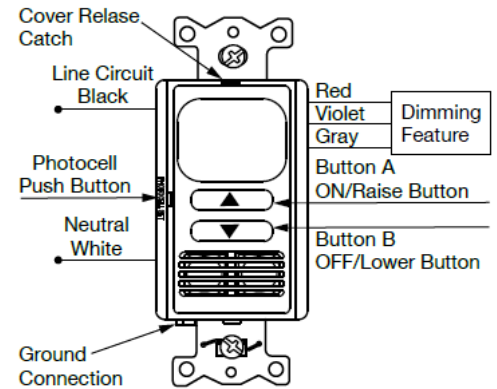
cULus Listed
ASHRAE 90.1
CEC Title 24 Certified

Specifications

| | |
|-----------------|---|
| Housing | High-impact injection-molded plastic (UL-94-5V) |
| Lens | Impact-resistant lens |
| Mounting Height | 42 to 54 Inches Above Floor |
| Sensing | Passive Infrared and Ultrasonic |
| Dimming | 0-10V, Sink up to 30mA |

Performance

| | |
|---------------------------|---|
| Controls | On/Raise Button & Off/Lower Button |
| Front Press Switch | Optional Photocell, Adjustable Light Override, 10 to 500 foot candles |
| Ambient Light | |
| Timer Time Outs | Auto mode: 4-20 minutes; self-adjusts based on occupancy; fixed mode: 4, 8, 15, and 20 minutes; Test mode: 5 seconds |
| Electrical Ratings | 120V AC: 800W Electronic ballast/LED driver 1,000W Magnetic ballast 277V AC: 1,200W Magnetic ballast/ Electronic ballast/LED driver |
| Environmental | |
| Operating Temperature | Indoor use only, operating temperature: 32° to 104°F (0° to 40°C), relative humidity (non-condensing): 0% to 95% |



Dimensions in Inches (mm)

Hubbell Wiring Device-Kellems • Hubbell Incorporated (Delaware) • 40 Waterview Drive • Shelton, CT 06484

Phone (800) 288-6000 • Fax (800) 255-1031 • Specifications subject to change without notice.

