

**Energy Efficiency Controls**  
**UL924 Compliant Control Unit**  
**0-10V Dimming Compatible**



**Features**

- Compatible with Load:Logic Room Controller
- Compatible with Load:Logic Control Panel
- Compatible with Hubbell CU300 Series Control Units

**Ordering Information**

Description	Device Color	UPC Number	Catalog Number
Control Unit for Emergency Lighting Circuits	Black	783585564913	CU300ELC



**Listings**

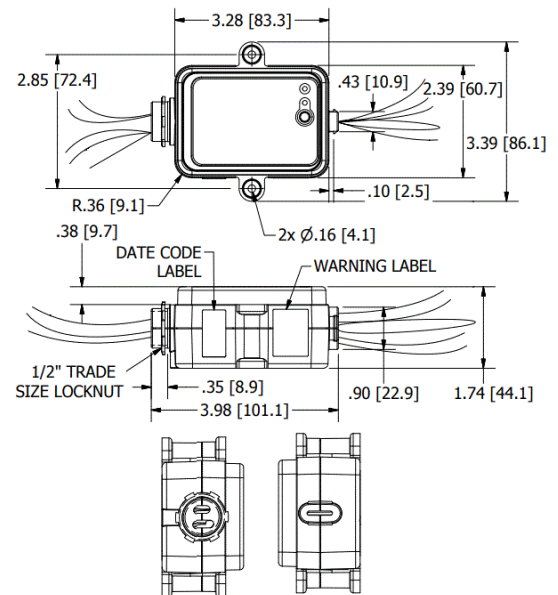
cULus  
 UL924  
 UL2043

**Specifications**

Housing	Flame retardant thermoplastic
Dimensions	4.00" L x 3.4" W x 1.73" H

**Performance**

Electrical	
Load Capacity	20A
Motor load	1HP @ 120V AC
Operating Voltage	100-277V AC
Environmental	
Flamability	UL 94-5VA
Operating Location	Indoor Use Only
Operating Temperature	32°F to 104°F (0°C to 40°C); 0-90% non-condensing relative humidity.



**Complementary Products**

Control Unit	CU300HD
Occupancy Sensor	ATD2000CRP
24VDC Mom Switch/ 0-10V Dimmer	DSM010W

**Online Resources**

- Customer Use Drawing
- eCatalog
- Installation Instructions

Dimensions in Inches (mm)

Hubbell Wiring Device-Kellems • Hubbell Incorporated (Delaware) • 40 Waterview Drive • Shelton, CT 06484

Phone (800) 288-6000 • Fax (800) 255-1031 • Specifications subject to change without notice.

