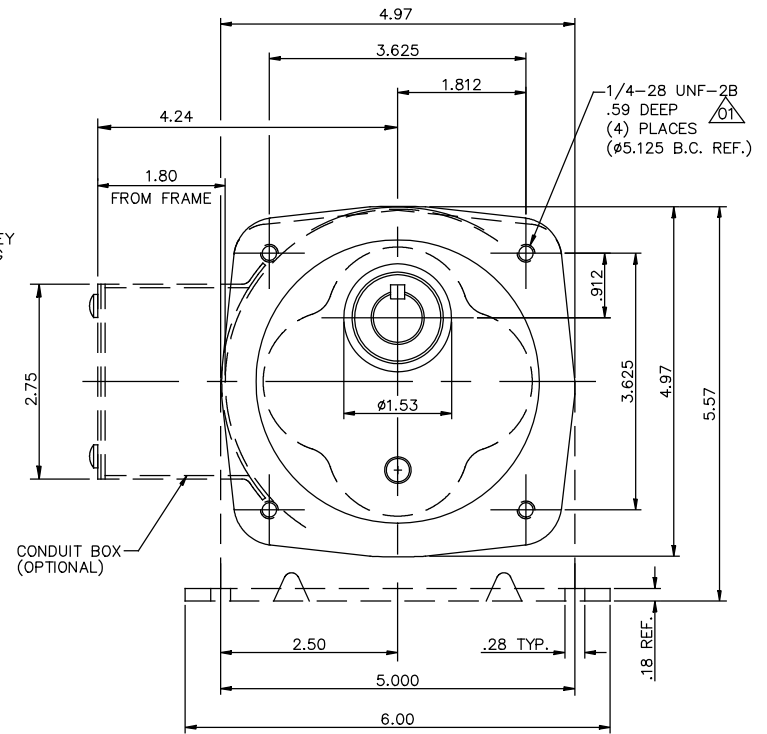
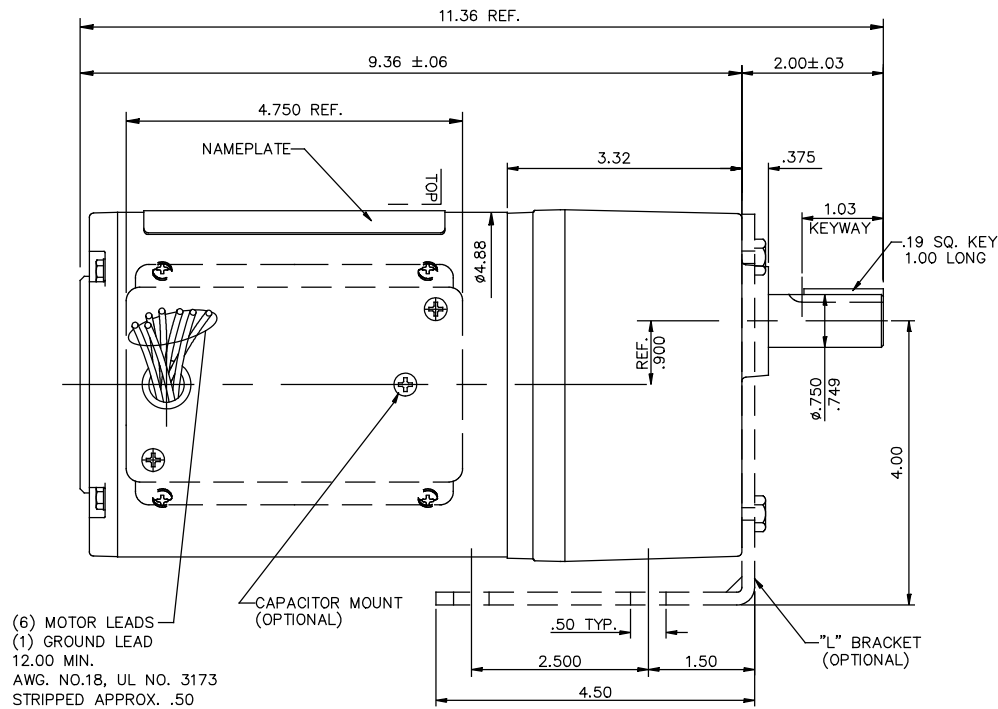


027690



CATALOG NUMBER	OUTPUT RPM	FULL LOAD TORQUE LB.-IN.	INPUT HP	OVERHUNG LOAD LBS.	RATIO TO 1
096000.00	5	310	1/12	565	336
096001.00	9	341	1/12	491	180
096002.00	14	280	1/12	459	124
096003.00	19	250	1/12	374	91

				TOLERANCES UNLESS OTHERWISE SPECIFIED		<b>LEESON ELECTRIC CORPORATION</b>					
				DECIMALS		TITLE					
				.00	± .01	DRAWN	DWF 7/14/97	OUTLINE DRAWING			
				.000	± .005	CH'K'D.		42 FRAME PE350 STOCK			
01	THREAD DEPTH WAS .63"	JD	06/06/17	.0000	± .0005	APPR.		MAT'L			
NO.	REVISION	BY	DATE	FRACTIONS	± 1/64	SCALE	1=1.5				
THIS DRAWING IN DESIGN AND DETAIL IS OUR PROPERTY AND MUST NOT BE USED EXCEPT IN CONNECTION WITH OUR WORK ALL RIGHTS OF DESIGN AND INVENTION ARE RESERVED				ANGLES	± 1/2°	REF.	027689	FINISH	LEESON	SIZE	B
				INCH/MM		FMF	096000.00	STOCK		DRAWING NO.	027690