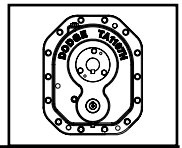
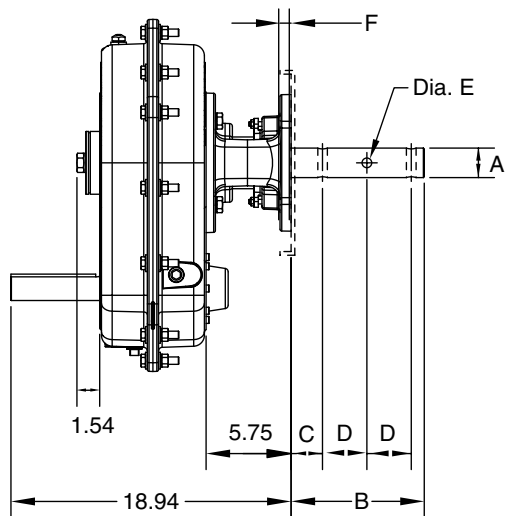
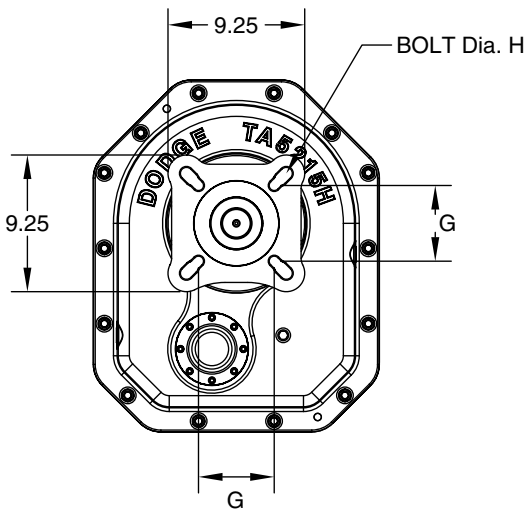


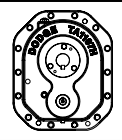
SELECTION/DIMENSIONS



TORQUE-ARM II Shaft Mount Speed Reducers SCREW CONVEYOR DRIVE - TA5215H, SINGLE AND DOUBLE REDUCTION



EASY SELECTION PAGE 9	SELECTION PAGE 12	RELATED PRODUCTS PAGE 123	ENGINEERING/TECHNICAL PAGE 129
--------------------------	----------------------	------------------------------	-----------------------------------



SELECTION/DIMENSIONS

TORQUE-ARM II Shaft Mount Speed Reducers SCREW CONVEYOR DRIVE - TA5215H, SINGLE AND DOUBLE REDUCTION

TA5215H Screw Conveyor Drive Dimensions

Screw Dia	Drive Shaft Dia A	Dimensions						
		B	C	D	Hole Dia E	F	G	Bolt Dia H
9, 12	2	9.00	2.13	3.00	21/32	0.75	5.13	5/8
12, 14	2-7/16	9.69	2.75	3.00	21/32	0.75	5.63	5/8
12, 14, 16, 18, 20	3	9.88	2.88	3.00	25/32	0.75	6.00	3/4
18, 20, 24	3-7/16	13.13	3.88	4.00	29/32	0.75	6.75	3/4

TA5215H Accessories for Screw Conveyor Drives (1) (4)

Description	Part Number	Weight lbs.
TA5215SCA Adapter & Hardware Kit ⁽²⁾	905070	38.4
TA5215SCP Adjustable Packing Kit ⁽³⁾	905071	2.1
TA5215SCS x 2 Drive Shaft	905073	39.0
TA5215SCS x 2-7/16 Drive Shaft	905074	43.6
TA5215SCS x 3 Drive Shaft	905075	50.0
TA5215SCS x 3-7/16 Drive Shaft	905076	63.9
TA5215SCS x 2 Stainless Steel Drive Shaft	905081	39.0
TA5215SCS x 2-7/16 Stainless Steel Drive Shaft	905082	43.6
TA5215SCS x 3 Stainless Steel Drive Shaft	905083	50.0
TA5215SCS x 3 Stainless Steel Drive Shaft	905084	63.9

- (1) See page 77 for Belt Guard for Screw Conveyor Drive applications.
- (2) SCA Adapter & Hardware Kit includes adapter, mounting wedge, keeper plate, key, seals and hardware.
- (3) SCP Adjustable Packing Kit consists of flange, mounting hardware and braided packing seals.
- (4) SCS Drive Shaft is a shaft only. Mounting hardware is stocked with the adapter & hardware kit.