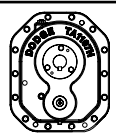
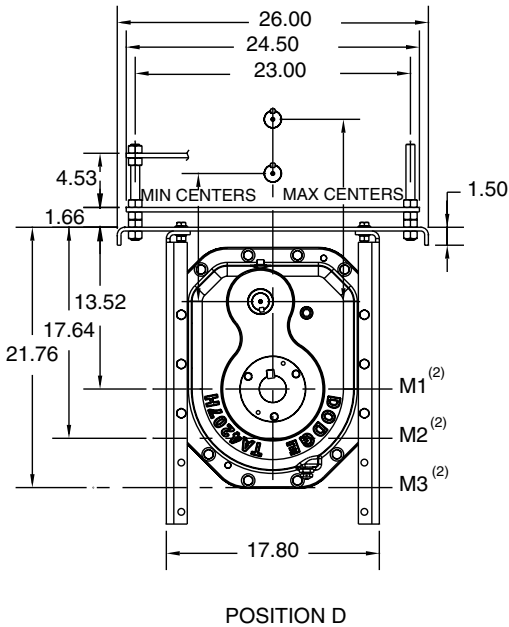
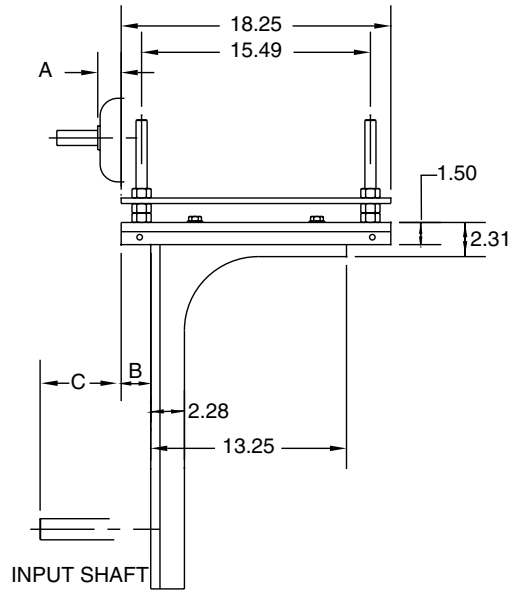
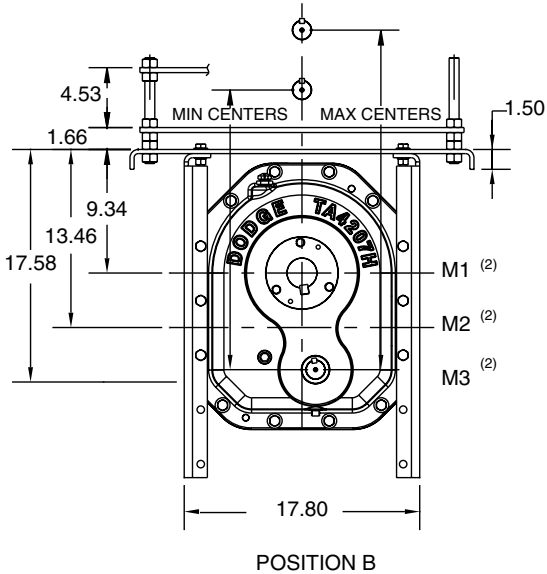


SELECTION/DIMENSIONS

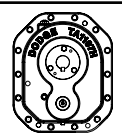


TORQUE-ARM II Shaft Mount Speed Reducers

MOTOR MOUNT DIMENSIONS - TA4207H, POSITION B & D



EASY SELECTION PAGE 9	SELECTION PAGE 12	RELATED PRODUCTS PAGE 123	ENGINEERING/TECHNICAL PAGE 129
--------------------------	----------------------	------------------------------	-----------------------------------



SELECTION/DIMENSIONS

TORQUE-ARM II Shaft Mount Speed Reducers

MOTOR MOUNT DIMENSIONS - TA4207H, POSITION B & D ⁽¹⁾

Mounting	Lateral Adjustment				Motor Mount Height (2)	Motor Frame								
						143T & 145T			182T & 184T			213T & 215T		
						A	Centers		A	Centers		A	Centers	
							Min	Max		Min	Max		Min	Max
Position B	-0.21	4.21	3.28	7.70	M1	1.22	22.6	26.7	1.37	23.6	27.7	1.55	24.4	28.4
					M2		26.8	30.8		27.8	31.8		28.5	32.5
					M3		30.9	34.9		31.9	35.9		32.6	36.7
Position D	-0.21	4.21	3.28	7.70	M1	1.22	12.2	16.2	1.37	13.2	17.2	1.55	14.0	18.0
					M2		16.3	20.4		17.3	21.4		18.1	22.1
					M3		20.4	24.5		21.4	25.5		22.2	26.2

Mounting	Lateral Adjustment				Motor Mount Height (2)	Motor Frame								
						254T & 256T			284T & 286T			324T & 326T		
						A	Centers		A	Centers		A	Centers	
							Min	Max		Min	Max		Min	Max
Position B	-0.21	4.21	3.28	7.70	M1	1.56	25.4	29.4	1.16	26.1	30.2	0.38	27.1	31.2
					M2		29.5	33.5		30.3	34.3		31.3	35.3
					M3		33.6	37.7		34.4	38.4		35.4	39.4
Position D	-0.21	4.21	3.28	7.70	M1	1.56	15.0	19.0	1.16	15.7	19.7	0.38	16.7	20.7
					M2		19.1	23.1		19.8	23.9		20.8	24.9
					M3		23.2	27.2		23.9	28.0		24.9	29.0

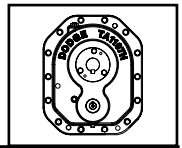
Notes:

Minimum centers contains 0.5" to allow for belt assembly

(1) Motor mount will fit NEMA and IEC frame motors; hardware are inch dimensions

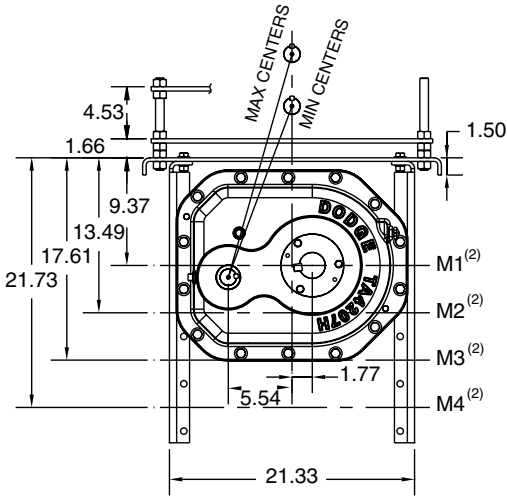
(2) M1, M2, M3 go through output shaft centerline

SELECTION/DIMENSIONS

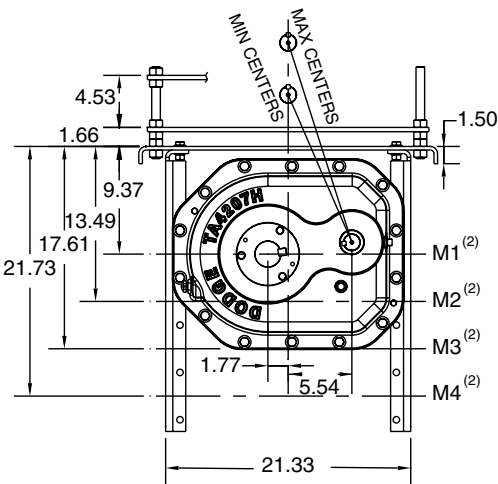


TORQUE-ARM II Shaft Mount Speed Reducers

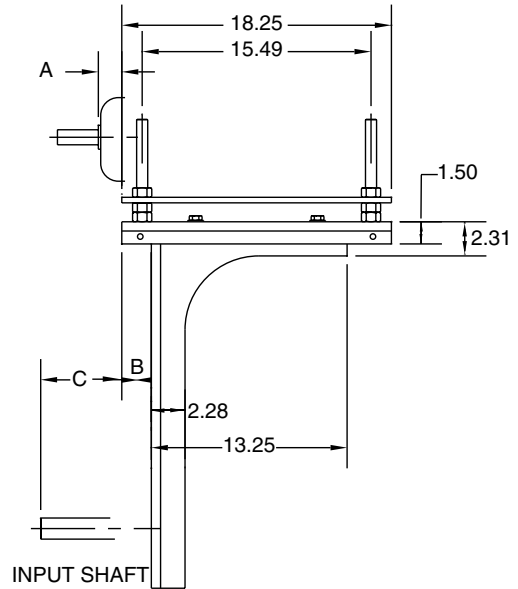
MOTOR MOUNT DIMENSIONS - TA4207H, POSITION A & C



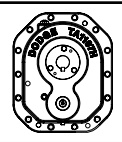
POSITION A



POSITION C



EASY SELECTION PAGE 9	SELECTION PAGE 12	RELATED PRODUCTS PAGE 123	ENGINEERING/TECHNICAL PAGE 129
--------------------------	----------------------	------------------------------	-----------------------------------



SELECTION/DIMENSIONS

TORQUE-ARM II Shaft Mount Speed Reducers

MOTOR MOUNT DIMENSIONS - TA4207H, POSITION A & C ⁽¹⁾ (3)

Mounting	Lateral Adjustment				Motor Mount Height (2)	Motor Frame														
						143T & 145T		182T & 184T		213T & 215T										
	B Min	B max	C Min	C max		A	Centers		A	Centers		A	Centers							
Position A	-0.21	4.21	4.35	8.77	M1	1.22	17.3	21.1	1.37	18.3	22.1	1.55	19.0	22.8						
					M2										21.2	25.1	22.2	26.1	22.9	26.8
					M3										25.2	29.2	26.2	30.2	26.9	30.9
					M4										29.3	33.2	30.2	34.2	31.0	34.9
Position C	-0.21	4.21	4.35	8.77	M1	1.22	15.4	19.2	1.37	16.3	20.1	1.55	17.0	20.8						
					M2										19.3	23.1	20.2	24.1	20.9	24.8
					M3										23.2	27.2	24.2	28.1	24.9	28.9
					M4										27.3	31.2	28.2	32.2	29.0	32.9

Mounting	Lateral Adjustment				Motor Mount Height (2)	Motor Frame														
						254T & 256T		284T & 286T		324T & 326T										
	B Min	B max	C Min	C max		A	Centers		A	Centers		A	Centers							
Position A	-0.21	4.21	4.35	8.77	M1	1.56	19.9	23.8	1.16	20.6	24.5	0.38	21.6	25.5						
					M2										23.9	27.8	24.6	28.6	25.6	29.5
					M3										27.9	31.9	28.7	32.6	29.6	33.6
					M4										32.0	35.9	32.7	36.7	33.7	37.7
Position C	-0.21	4.21	4.35	8.77	M1	1.56	18.0	21.8	1.16	18.7	22.5	0.38	19.6	23.5						
					M2										21.9	25.8	22.6	26.5	23.6	27.5
					M3										25.9	29.9	26.6	30.6	27.6	31.6
					M4										29.9	33.9	30.7	34.6	31.7	35.6

Notes:

Minimum centers contains 0.5" to allow for belt assembly

- (1) Motor mount will fit NEMA and IEC frame motors; hardware are inch dimensions
- (2) M1, M2, M3, M4 go through output shaft centerline
- (3) See Table A, below, for minimum "M" mounting position required for specific screw diameter and reducer size

Table A - Screw Conveyor Motor Mount Minimum "M" Mounting Positions (1)

Nominal Screw Dia	Trough Height Dim	Minimum Mounting Position							
		TA0107L	TA1107H	TA2115H	TA3203H	TA4207H	TA5215H	TA6307H	TA7315H
6	7.00	M2	M3	M2	M2	M2	M1	M1	M1
9	9.00	M3	M4	M3	M3	M2	M2	M2	M1
12	10.00	M4	M4	M3	M3	M2	M2	M2	M1
14	11.00	M4	M4	M4	M3	M3	M2	M2	M2
16	11.50	M4	***	M4	M4	M3	M2	M2	M2
18	12.13	***	***	M4	M4	M3	M3	M2	M2
20	13.50	***	***	M4	M4	M3	M3	M3	M2
24	16.50	***	***	***	***	M4	M3	M3	M3

(1) For U Or Flared Trough Ends Per CEMA 300-014

EASY SELECTION PAGE 9	SELECTION PAGE 12	RELATED PRODUCTS PAGE 123	ENGINEERING/TECHNICAL PAGE 129
--------------------------	----------------------	------------------------------	-----------------------------------