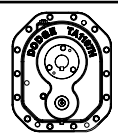
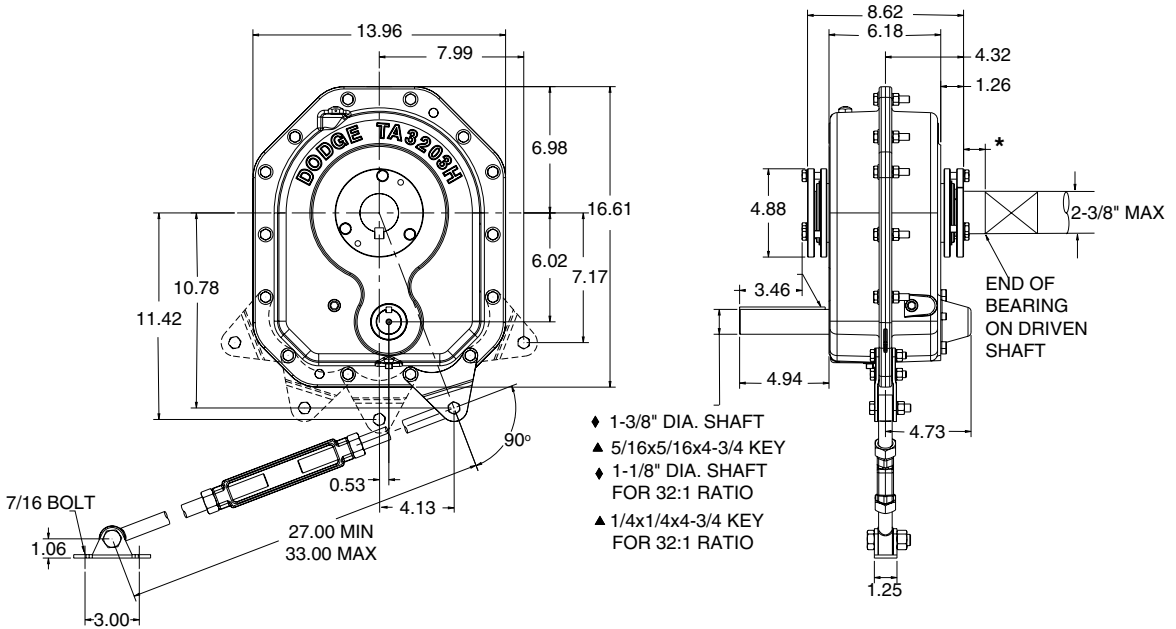


# SELECTION/DIMENSIONS

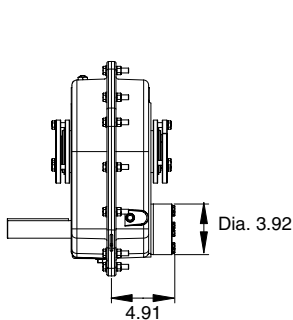


## TORQUE-ARM II Shaft Mount Speed Reducers

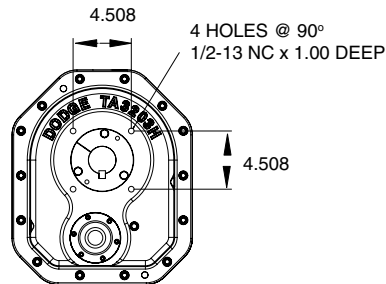
### TAPER BUSHED REDUCER - TA3203H, SINGLE AND DOUBLE REDUCTION



\*1.20 MINIMUM DISTANCE FOR BUSHING SCREW REMOVAL

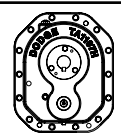


REDUCER WITH BACKSTOP



FLANGE MOUNTING DIMENSIONS

EASY SELECTION PAGE 9	SELECTION PAGE 12	RELATED PRODUCTS PAGE 123	ENGINEERING/TECHNICAL PAGE 129
--------------------------	----------------------	------------------------------	-----------------------------------



# SELECTION/DIMENSIONS

## TORQUE-ARM II Shaft Mount Speed Reducers

### TAPER BUSHED REDUCER - TA3203H, SINGLE AND DOUBLE REDUCTION

#### TA3203H Taper Bushed Reducers <sup>(1)</sup> ■

Reducer Size	Part Number	AGMA Code	Actual Ratio	Weight lbs.
TA3203H05	<b>903004</b>	203S05	4.91	107.9
TA3203H09	<b>903003</b>	203D09	9.23	112.0
TA3203H15	<b>903002</b>	203D15	15.07	111.8
TA3203H25	<b>903001</b>	203D25	24.95	111.4
TA3203H32	<b>903000</b>	203D32	32.45	110.3

(1) Reducers are supplied from stock ready for vertical mounting and for flange mounting. Rod assembly is not included with reducer. Order as a separate part number.

■ See page 124 for Maximum Bore Straight Bore TA II Reducers

#### TA3203H Accessories

Description	Part Number	Weight Lbs
TA3203RA Rod Assembly <sup>(1)</sup>	<b>903109</b>	6.9
TA3203BS Backstop Assembly <sup>(2)</sup>	<b>903102</b>	4.7
TA3203MM Motor Mount Assembly (143-286T) <sup>(3)</sup>	<b>903090</b>	86.7
TA3203BG Belt Guard - Pos. B (143-286T)	<b>903096</b>	65.5
TA3203BG Belt Guard - Pos. C (143-286T) <sup>(4)</sup>	<b>903097</b>	67.9
TA0-TA3 Vertical Breather Kit	<b>900112</b>	2.0
Filter Breather Plug	<b>430048</b>	0.2

- (2) See page 129 for input shaft speed necessary for back-stop sprag lift-off
- (3) Motor Mount will fit NEMA and IEC frame motors; however hardware are inch dimensions
- (4) Use this belt guard for TA II reducer in screw conveyor drive applications

#### TA3203H Tapered Bushing Kits <sup>(5)</sup> (6)

Bushing Size Standard Shaft Bushing Kit	Part Number (7)	Weight lbs.	Shaft Keyseat Required (9) (10)	Bushing Size	Part Number	Weight lbs.	Shaft Keyseat Required <sup>(9)</sup> (10)
				Short Driven Shaft Bushing Kit <sup>(8)</sup>			
TA3203TB x 2-3/8	<b>903020</b>	6.1	1/2 x 1/4 x 8.55	---	---	---	---
TA3203TB x 2-1/4	<b>903021</b>	6.2	1/2 x 1/4 x 8.55	---	---	---	---
TA3203TB x 2-3/16 ▲	<b>903022</b>	6.8	1/2 x 1/4 x 8.55	TA3203TBS x 2-3/16	<b>903030</b>	7.0	1/2 x 1/4 x 5.46
TA3203TB x 2-1/8	<b>903023</b>	7.0	1/2 x 1/4 x 8.55	TA3203TBS x 2-1/8	<b>903031</b>	7.4	1/2 x 1/4 x 5.46
TA3203TB x 2	<b>903024</b>	7.5	1/2 x 1/4 x 8.55	TA3203TBS x 2	<b>903032</b>	8.0	1/2 x 1/4 x 5.46
TA3203TB x 1-15/16	<b>903025</b>	7.8	1/2 x 1/4 x 8.55	TA3203TBS x 1-15/16	<b>903033</b>	8.4	1/2 x 1/4 x 5.46
TA3203TB x 1-7/8	<b>903026</b>	8.0	1/2 x 1/4 x 8.55	TA3203TBS x 1-7/8	<b>903034</b>	8.7	1/2 x 1/4 x 5.46
TA3203TB x 1-3/4	<b>903027</b>	8.0	3/8 x 3/16 x 8.55	TA3203TBS x 1-3/4	<b>903035</b>	9.0	3/8 x 3/16 x 5.46
TA3203TB x 1-11/16	<b>903028</b>	8.2	3/8 x 3/16 x 8.55	TA3203TBS x 1-11/16	<b>903036</b>	9.3	3/8 x 3/16 x 5.46
TA3203TB x 1-5/8	<b>903029</b>	8.4	3/8 x 3/16 x 8.55	TA3203TBS x 1-5/8	<b>903037</b>	9.6	3/8 x 3/16 x 5.46
TA3203TB x 1-1/2	<b>903060</b>	8.8	3/8 x 3/16 x 8.55	TA3203TBS x 1-1/2	<b>903038</b>	9.9	3/8 x 3/16 x 5.46
TA3203TB x 1-7/16	<b>903061</b>	8.8	3/8 x 3/16 x 8.55	TA3203TBS x 1-7/16	<b>903039</b>	10.0	3/8 x 3/16 x 5.46

▲ AGMA maximum bore size

- (5) Bushing kit required to mount TA II reducer to driven shaft
- (6) Bushing kit is not required to mount TA II reducer on SCS Drive Shaft in a screw conveyor application
- (7) Standard Shaft Bushing Kit includes two standard bushings with back-up plates and snap rings, hardware and key
- (8) Short Shaft Bushing Kit includes one standard bushing; one long bushing with insertable wedge; key, two backup plates with snap rings; hardware and key. This is an optional bushing for after market, short shaft mounting.
- (9) Minimum keyseat and shaft length required to mount reducer with bushing kit
- (10) Always check the driven shaft and key for strength