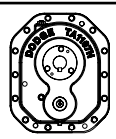
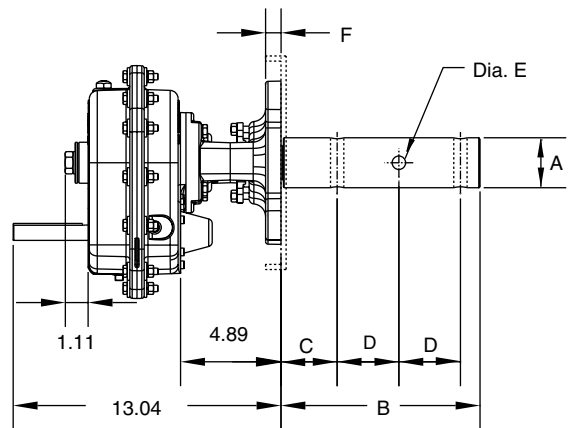
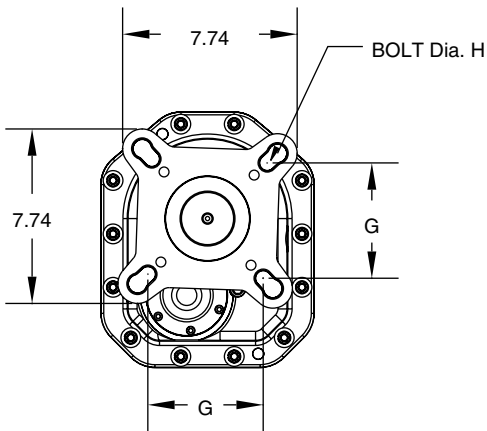


SELECTION/DIMENSIONS



TORQUE-ARM II Shaft Mount Speed Reducers

SCREW CONVEYOR DRIVE - TA0107L, SINGLE AND DOUBLE REDUCTION

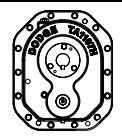


EASY SELECTION
PAGE 9

SELECTION
PAGE 12

RELATED PRODUCTS
PAGE 123

ENGINEERING/TECHNICAL
PAGE 129



SELECTION/DIMENSIONS

TORQUE-ARM II Shaft Mount Speed Reducers

SCREW CONVEYOR DRIVE - TA0107L, SINGLE AND DOUBLE REDUCTION

TA0107L Screw Conveyor Drive Dimensions

Screw Dia	Drive Shaft Dia A	Dimensions						
		B	C	D	Hole Dia E	F	G	Bolt Dia H
6, 9	1-1/2	9.00	2.13	3.00	17/32	0.75	4.00	1/2-13
9, 12	2	9.00	2.13	3.00	21/32	0.75	5.13	5/8
12, 14	2-7/16	9.69	2.75	3.00	21/32	0.75	5.63	5/8
12, 14, 16, 18, 20	3	9.88	2.88	3.00	25/32	0.75	6.00	3/4

TA0107L Accessories for Screw Conveyor Drives (1) (4)

Description	Part Number	Weight lbs.
TA0107SCA Adapter & Hardware Kit (2)	900070	14.7
TA0107SCP Adjustable Packing Kit (3)	900071	0.9
TA0107SCS x 1-1/2 Drive Shaft	900072	8.8
TA0107SCS x 2 Drive Shaft	900073	12.0
TA0107SCS x 2-7/16 Drive Shaft	900074	16.5
TA0107SCS x 3 Drive Shaft	900075	22.8
TA0107SCS x 1-1/2 Stainless Steel Drive Shaft	900080	8.8
TA0107SCS x 2 Stainless Steel Drive Shaft	900081	12.0
TA0107SCS x 2-7/16 Stainless Steel Drive Shaft	900082	16.5
TA0107SCS x 3 Stainless Steel Drive Shaft	900083	22.8

- (1) See page 45 for Belt Guard for Screw Conveyor Drive applications
- (2) SCA Adapter & Hardware Kit includes adapter, mounting wedge, keeper plate, key, seals and hardware
- (3) SCP Adjustable Packing Kit consists of flange, mounting hardware and braided packing seals
- (4) SCS Drive Shaft is a shaft only. Hardware is stocked with the adapter & hardware kit