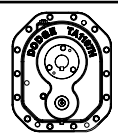
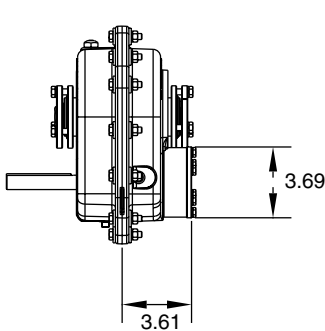
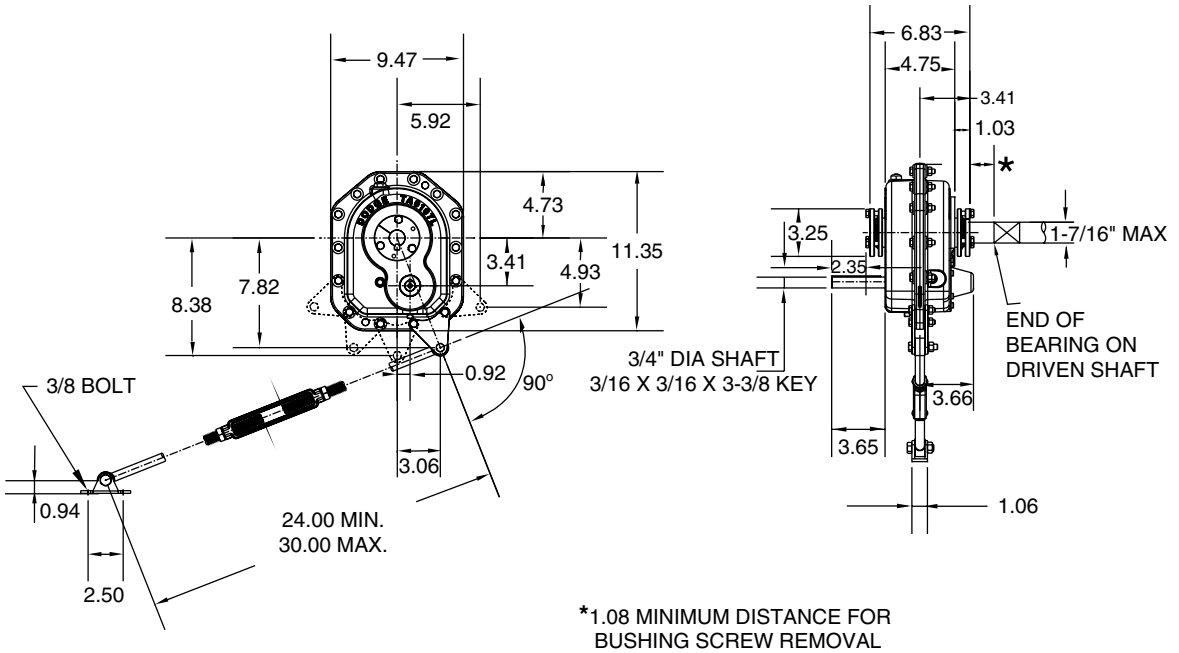


SELECTION/DIMENSIONS

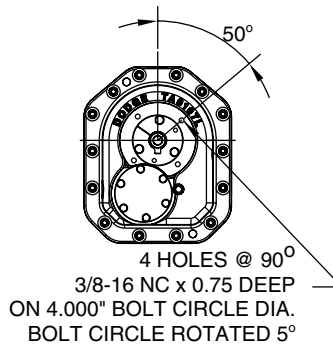


TORQUE-ARM II Shaft Mount Speed Reducers

TAPER BUSHED REDUCERS - TA0107L, SINGLE AND DOUBLE REDUCTION

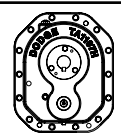


REDUCER WITH BACKSTOP



FLANGE MOUNTING DIMENSIONS

EASY SELECTION PAGE 9	SELECTION PAGE 12	RELATED PRODUCTS PAGE 123	ENGINEERING/TECHNICAL PAGE 129
--------------------------	----------------------	------------------------------	-----------------------------------



SELECTION/DIMENSIONS

TORQUE-ARM II Shaft Mount Speed Reducers

TAPER BUSHED REDUCERS - TA0107L, SINGLE AND DOUBLE REDUCTION

TA0107L Taper Bushed Reducers ⁽¹⁾ ●

Reducer Size	Part Number	AGMA Code	Actual Ratio	Weight lbs.
TA0107L05	900004	107S05	5.20	39.6
TA0107L09	900003	107D09	9.00	41.2
TA0107L15	900002	107D15	14.93	41.1
TA0107L25	900001	107D25	25.09	41.0
TA0107L31	900000	107D31	30.94	41.2

(1) Reducers are supplied from stock ready for vertical mounting and for flange mounting. Rod assembly is not included with reducer. Order as a separate part number.

- TA0107L Reducer = Light duty, best value

TA0107L Accessories

Description	Part Number	Weight lbs.
TA0107RA Rod Assembly ⁽¹⁾	900109	4.5
TA1107/0107L BS Backstop Assembly ⁽²⁾	901102	3.9
TA0107MM Motor Mount Assembly (56-215T) ⁽³⁾	900090	35.4
TA0107BG Belt Guard - Pos. B (56-215T)	900096	40.6
TA0107BG Belt Guard - Pos. C (56-215T) ⁽⁴⁾	900097	42.2
TA0-TA3 Vertical Breather Kit	900112	2.0
Filter Breather Plug	430048	0.2

- (2) See page 129 for input shaft speed necessary for backstop sprag lift-off.
- (3) Motor Mount will fit NEMA and IEC frame motors; however hardware are inch dimensions.
- (4) Use this belt guard for TA II reducer in screw conveyor drive applications.

TA0107L Tapered Bushing Kits ⁽⁵⁾ (6)

Bushing Size Standard Shaft Bushing Kit	Part Number (7)	Weight lbs.	Shaft Keyseat Required (9) (10)	Bushing Size	Part Number	Weight lbs.	Shaft Keyseat Required (9) (10)
				Short Shaft Bushing Kit (8)			
TA0107TB x 1-7/16 ▲	900020	1.5	3/8 x 3/16 x 6.83	---	---	---	---
TA0107TB x 1-3/8	900021	1.6	5/16 x 5/32 x 6.83	---	---	---	---
TA017TB x 1-5/16	900022	1.8	5/16 x 5/32 x 6.83	---	---	---	---
TA0107TB x 1-1/4	900023	1.9	1/4 x 1/8 x 6.83	---	---	---	---
TA0107TB x 1-3/16	900024	2.0	1/4 x 1/8 x 6.83	TA0107TBS x 1-3/16	900027	2.1	1/4 x 1/8 x 4.35
TA0107TB x 1-1/8	900025	2.1	1/4 x 1/8 x 6.83	TA0107TBS x 1-1/8	900028	2.3	1/4 x 1/8 x 4.35
TA0107TB x 1	900026	2.4	1/4 x 1/8 x 6.83	TA0107TBS x 1	900029	2.6	1/4 x 1/8 x 4.35

▲ AGMA maximum bore size

- (5) Bushing kit required to mount TA II reducer to driven shaft
- (6) Bushing kit is not required to mount TA II reducer on SCS Drive Shaft in a screw conveyor application
- (7) Standard Shaft Bushing Kit includes two standard bushings with back-up plates and snap rings; hardware, and key
- (8) Short Shaft Bushing Kit includes one standard bushing, one long bushing with insertable wedge; two back-up plates with snap rings; hardware and key. This is an optional bushing for after market, short shaft mounting.
- (9) Minimum keyseat and shaft length required to mount reducer with bushing kit
- (10) Always check the driven shaft and key for strength