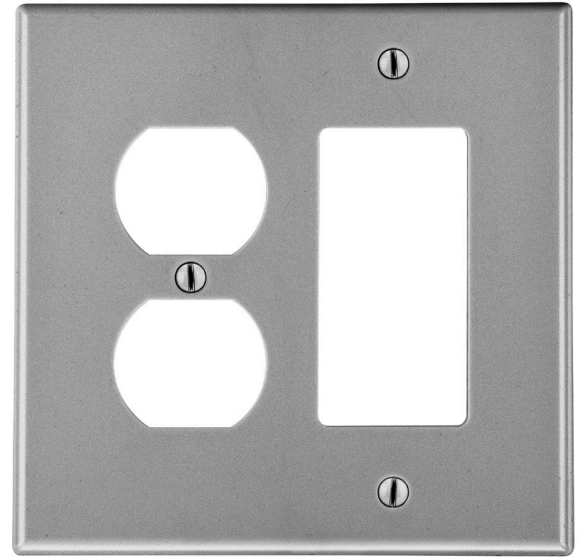


## Wallplate Duplex and Decorator 2-Gang

### Features

- High-impact, self-extinguishing polycarbonate material
- More rigid; sharp lines and less dimpling
- Smooth satin finish; blends into wall with an optimum finish

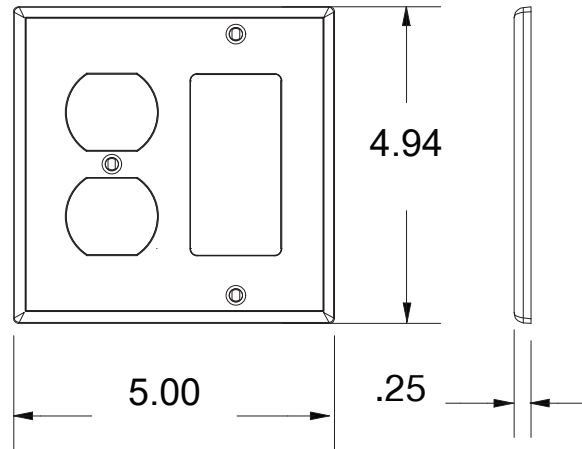


### Ordering Information

| Description  | Gang | Color | UPC Number   | Catalog Number |
|--|------|-------|--------------|----------------|
| Duplex and decorator wallplate, smooth satin finish, for use with 1 duplex receptacle and 1 decorator device | 2    | Gray  | 883778314490 | PJ826GY        |

### Listings

cULus Listed



### Specifications

|                 |                             |
|-----------------|-----------------------------|
| Material        | Polycarbonate thermoplastic |
| Thickness       | .25 (6.4)                   |
| Orientation     | Orientation                 |
| Mounting        | Screw                       |
| Mounting Screws | Painted steel               |
| Dimensions      | 4.94 in x 5.00 in x 0.25 in |
| Flammability    | UL 94 V2                    |