

Mid-Size Wallplate 2.15" Opening 2-Gang

Features

- High-impact, self-extinguishing polycarbonate material
- More rigid; sharp lines and less dimpling
- Smooth satin finish; blends into wall with an optimum finish

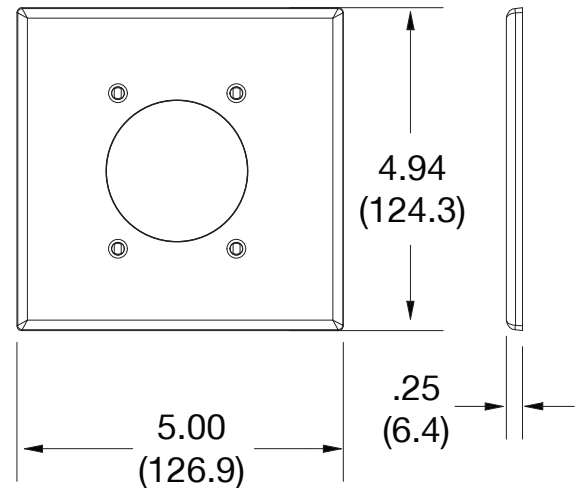


Ordering Information

Description	Gang	Color	UPC Number	Catalog Number
Wallplate with 2.15" opening, smooth satin finish, for use with power outlet	2	Ivory	883778314322	PJ703I

Listings

cULus Listed



Specifications

Material	Polycarbonate thermoplastic
Thickness	.25 (6.4)
Orientation	Orientation
Mounting	Screw
Mounting Screws	Painted steel
Dimensions	4.94 in x 5.00 in x 0.25 in
Flammability	UL 94 V2