

H-MOSS® Controls Passive Infrared Wall Switches

HUBBELL

Features

- Smart Motion Activated Nightlight to provide illumination when the lights are OFF
- Independent Timers for the Nightlight and Lighting Load
- No Neutral Required
- Matching wallplate included

Ordering Information

Description	Color	UPC Number	Catalog Number
Wall Switch Sensor with Smart Nightlight	Light Almond	783585427935	WS2001NSLA

Listings

cULus Listed
ASHRAE 90.1
CEC Title 24 Certified

Specifications

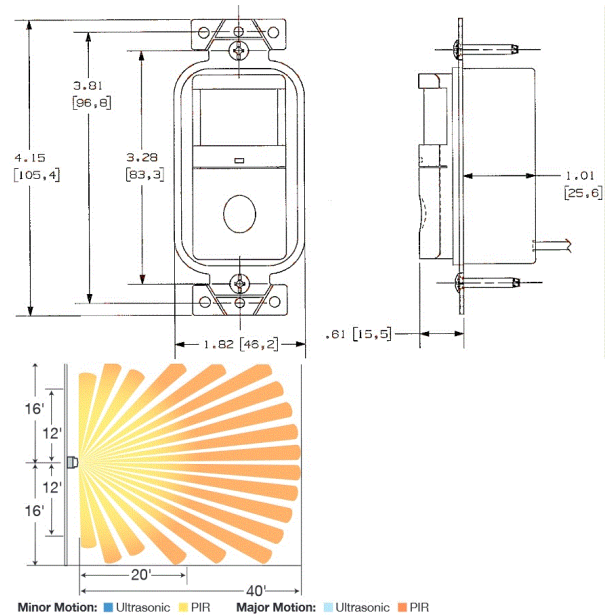
Housing	Flame retardant UL 94 V-0 ABS
Lens	Impact-resistant polyethylene
Dimensions	Face 2.59"H x 1.30"W, 0.61"D (from wall out)
Mounting Height	42 to 54 inches above floor
Sensing	Passive Infrared

Performance

Controls	
Front Press Switch	On/Off Button
Timer Time Outs	Manual 30 seconds to 30 minutes, Independent Timers for Nightlight & Lighting Load

Electrical	
Ratings	120V AC, 60Hz; Load Capacity 0 to 1000 watts, 277V AC, 60Hz, 6.5A, Ballast/Driver

Environmental	
Operating Temperature	Indoor Use Only, 32°F to 122°F (0°C to 50°C) with rate of change not exceeding 20°F (11°C) per hour; 20% to 90% non-condensing relative humidity



Complementary Products

SS Wallplate	SS26
Snap-On Wallplate	RCW1W

Online Resources

Customer Use Drawing
eCatalog
Installation Instructions

Dimensions in Inches (mm)

Hubbell Wiring Device-Kellems • Hubbell Incorporated (Delaware) • 40 Waterview Drive • Shelton, CT 06484

Phone (800) 288-6000 • Fax (800) 255-1031 • Specifications subject to change without notice.

