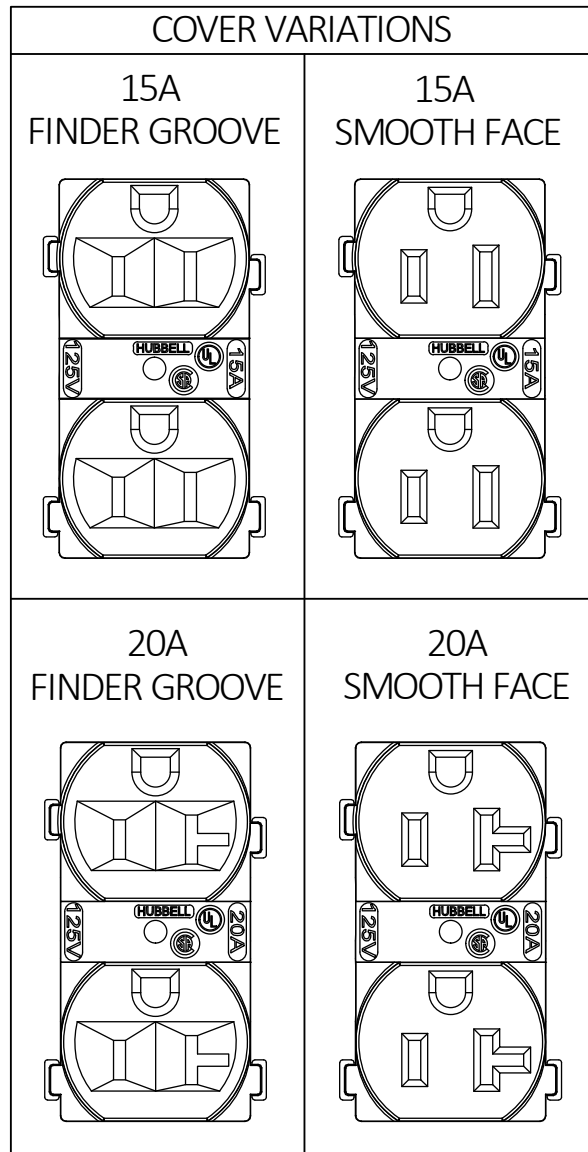
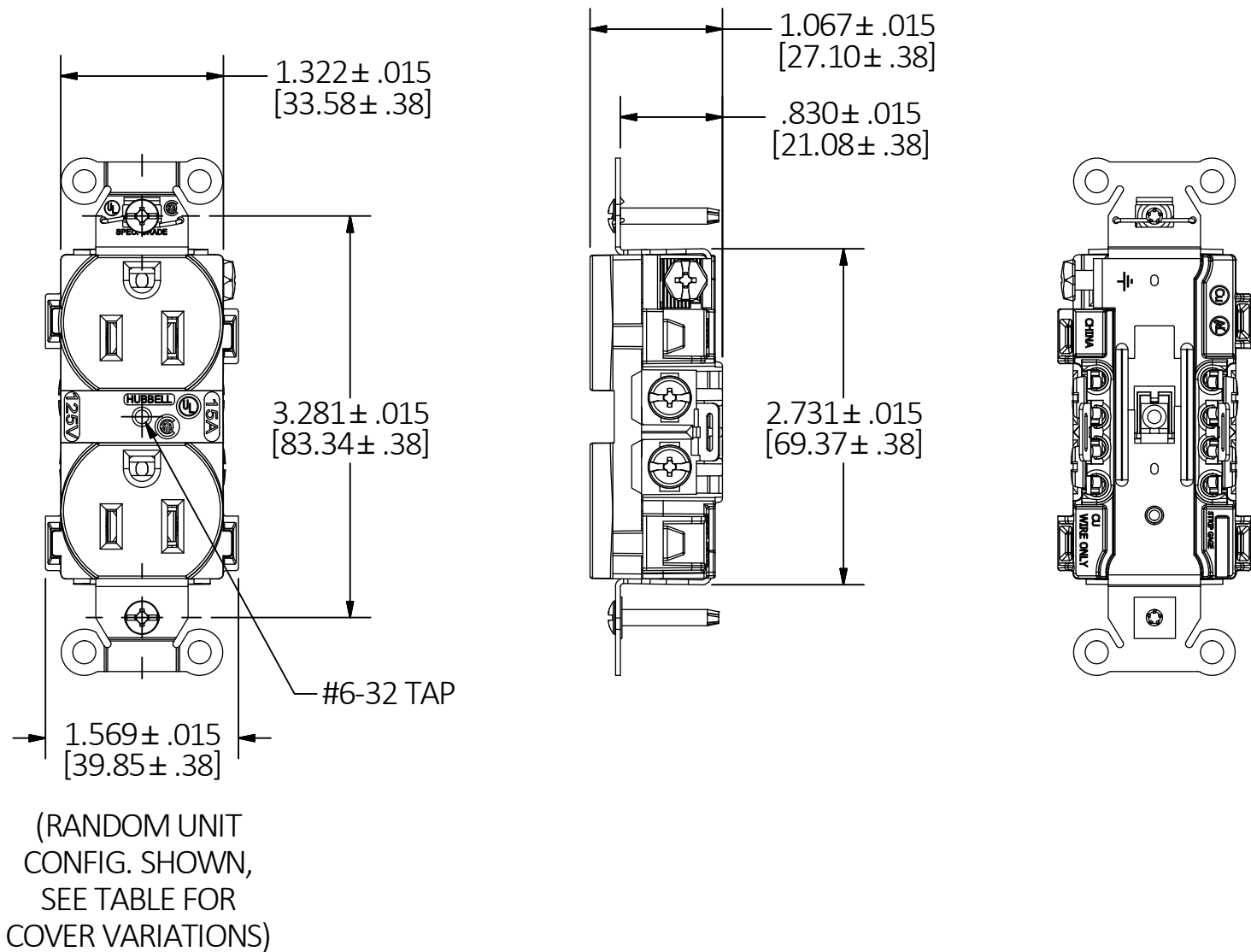
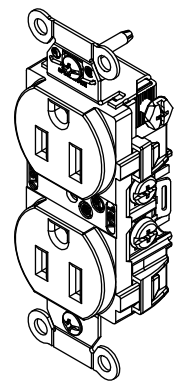


M-14193

1



LIST OF PARTS		
DESCRIPTION	MATERIAL	FINISH
TOP	PC	SPI A-3
BASE	PC	
LINE CONTACTS	BRASS	
GROUND CONTACTS	BRASS	
CONTACT SCREW (NEU)	STEEL	NI PLT
CONTACT SCREW (HOT)	STEEL	
BRIDGE	.04 GALV STL	
GROUND SCREW	STEEL	GREEN
STAPLE	S.S.	
WASHER	PVC FILM	BLACK
MOUNTING SCREW	STEEL	ZINC PLT



HUBBELL CATALOG NUMBERS									
CONFIGURATION	BLACK	BLUE	BROWN	GRAY	IVORY	LT. ALMOND	RED	WHITE	OFFICE WHITE
15A FLAT FACE	5252ABLK	---	5252AB	5252AG	5252AI	5252ALA	5252AR	5252AW	---
20A FLAT FACE	5352ABLK	---	5352AB	5352AG	5352AI	5352ALA	5352AR	5352AW	---
15A FINDER GROOVE	5262ABLK	5262ABL	5262AB	5262AG	5262AI	5262ALA	5262AR	5262AW	5262AOW
20A FINDER GROOVE	5362ABLK	5362ABL	5362AB	5362AG	5362AI	5362ALA	5362AR	5362AW	5362AOW

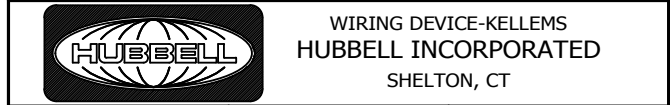
GENERAL NOTES:

1. DIMENSIONS ARE IN INCHES [MM].
2. ALL DEVICES UL LISTED, CSA & FED. SPEC. CERTIFIED
3. TERMINALS ACCOMMODATE #14 - #10 AWG COPPER WIRE ONLY.

1	RELEASED FOR PRODUCTION PER DCN 190827075847 RGP	WHD	10/16/19
REV	DESCRIPTION	APP	DATE

THE DESIGN AND DIMENSIONS OF THE PRODUCT SHOWN ON THIS DRAWING ARE SUBJECT TO CHANGE WITHOUT NOTICE. DIMENSIONS ARE IN INCHES [mm].

TITLE
 DUPLEX RECEPTACLE, 15A & 20A,
 BACK & SIDE WIRE



TOLERANCES UNLESS OTHERWISE SPECIFIED .XX = ± .01 .XXX = ± .005 ANGLE TOL. ±2'	DR. BY RGP	SCALE 3 : 4
	CHK. BY WHD	DATE 10/16/19

DIMENSION SHEET FOR CAT. NO. SEE TABLE B M-14193 1