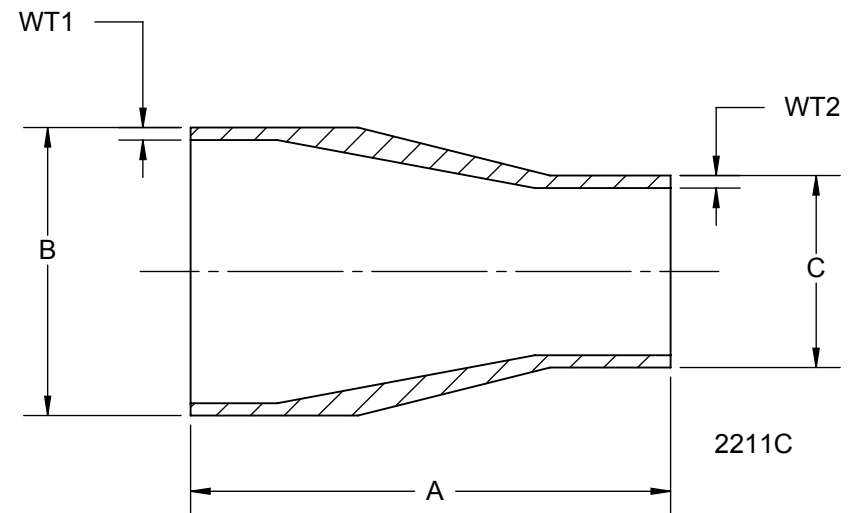
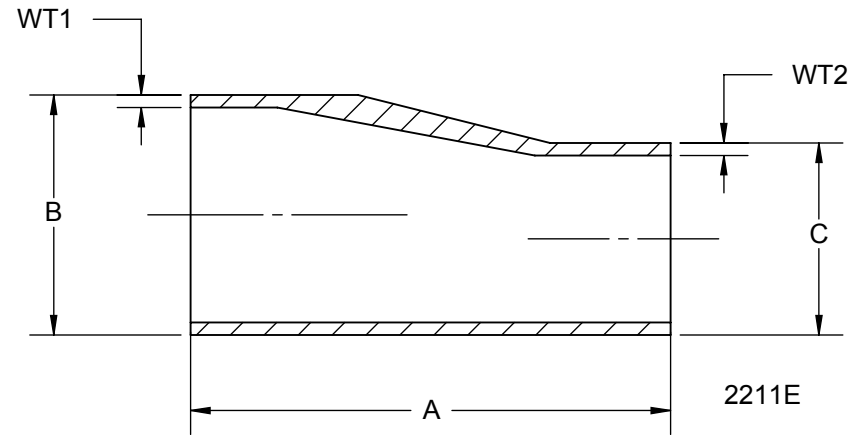


SIZE	A	B	WT1	C	WT2
3/4 x 1/2	2.125	0.750	0.065	0.500	0.065
1 x 1/2	2.500	1.000	0.065	0.500	0.065
1 x 3/4	2.125	1.000	0.065	0.750	0.065
1-1/2 x 3/4	3.000	1.500	0.065	0.750	0.065
1-1/2 x 1	2.500	1.500	0.065	1.000	0.065
2 x 1	2.375	2.000	0.065	1.000	0.065
2 x 1-1/2	2.500	2.000	0.065	1.500	0.065
2-1/2 x 1-1/2	3.375	2.500	0.065	1.500	0.065
2-1/2 x 2	2.500	2.500	0.065	2.000	0.065
3 x 1-1/2	4.250	3.000	0.065	1.500	0.065
3 x 2	3.375	3.000	0.065	2.000	0.065
3 x 2-1/2	2.625	3.000	0.065	2.500	0.065
4 x 2	5.125	4.000	0.083	2.000	0.065
4 x 2-1/2	4.250	4.000	0.083	2.500	0.065
4 x 3	3.875	4.000	0.083	3.000	0.065
6 x 3	7.250	6.000	0.109	3.000	0.065
6 x 4	5.625	6.000	0.109	4.000	0.083



DIXON SANITARY

N25 W23040 PAUL RD
PEWAUKEE, WI 53072
(800) 789-1718

PART NUMBER:
2211C / 2211E

DESCRIPTION:
BPE WELD X WELD REDUCERS

NOTE: DIMENSIONS PER ASME BPE-2016

THIS DRAWING AND THE INFORMATION CONTAINED THERE ON IS THE EXCLUSIVE PROPERTY OF DIXON SANITARY AND MAY NOT BE COPIED OR MODIFIED WITHOUT OBTAINING WRITTEN PERMISSION

SIZE:
A

DRAWN BY: MR
DATE: 12/13/2017

FINISH: SF1 / SF4
SCALE: NTS

UNITS: IN
SHEET: 1 OF 1